

PLAT

SHOWER TOILET (4.2L water-saving toilet)



<BASIC>



< MUSIC >



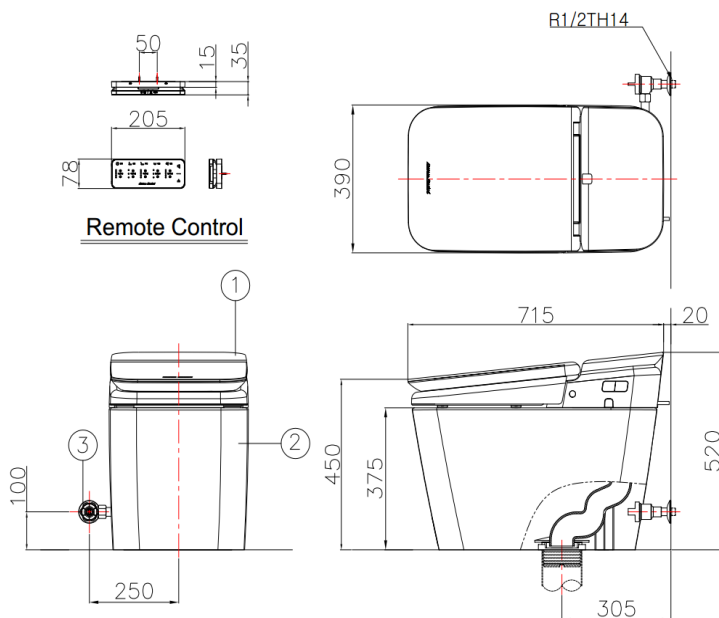
< AUTO >

Specification	
Rated power	AC230V 50/60Hz
Rated power consumption	1,470W
Supply system	Direct-coupled water supply system(G1/2 TH14)
Operating Pressure Range	0.14~0.7 MPa
Color	WHITE
Material	Bidet : ABS / Toilet : Ceramic
Rim type	Tornado
Flushing type	Siphon jet
Flushing volume	6 L/per for full flush, 4L for partial flush (3 types of water flow control)
Rough in size	305mm
Plumbing	Ø100 PVC VG2
Dimension (L×W×H)	L715×W390×H520 mm
Product weight (VC Only)	38 kg
Certification	Electronic safety certification, Eco Label certification

Product Specifications	
Design	Shower toilet with sensually designed square type Minimal design harmonious with sanitary wares
Outlook	Without revealing a sensor, a seat cover has smooth curvy design which is comfortable to lift
Technology	Continuous water heater Ceramics with AQUA Ceramic (will be applied from Q1 2018) Syphon jet and tornado flushing: Easier to clean the entire surface of the bowl Remote controller with touch panel: Comfortable to hold and Convenient to use Water saving toilet (4.2L per 1bar)

* Installation (Unit : mm)

1. BIDET : C831000E(BASIC) / C831100E(MUSIC) / C831200E(AUTO) 2. TOILET : C360000B-6DATMS00D 3. Angle Stop Valve : C632200Z-0GAZZZ00D



Division		C831000E	C831100E	C831200E
Flush	Full Flush	○	○	○
	Light Flush	○	○	○
Sanitary function	Wash	○	○	○
	Bidet	○	○	○
	Move	○	○	○
	Turbo / Massage	○	○	○
	Nozzle Cleaning	○	○	○
	Turbo	○	○	○
	3 in 1 Nozzle	○	○	○
	Stainless Nozzle	○	○	○
	Automatic drainage (Once in 3 days)	○	○	○
	Warm Dryer (temperature control)	○	○	○
Comfortable function	Seat Heater (temperature control)	○	○	○
	Continuous hot water system	○	○	○
	Hydraulic control	○	○	○
Convenient function	Soft opening and closing	○	○	○
	Power saving	○	○	○
	Convenient upper assembly	○	○	○
	Easily removable cover	○	○	○
	Seat detection sensor	○	○	○
	Self-diagnosis	○	○	○
	LED Lighting	○	○	○
	Short-Circuit Breaker	○	○	○
	Auto Flush	○	○	○
	Music (Classic)	X	○	○
Automatic opening and closing	X	X	○	

