

Integrated Shower Toilet Installation Manual

American Standard

Automatic opening and closing

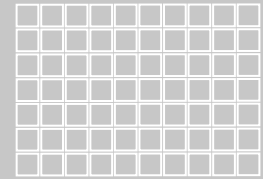
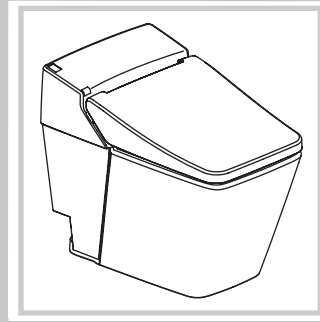
WP-1806.024.04 (ASEAN)

Non-Automatic opening and closing

WP-1806.022.04 (ASEAN)

Acacia E Integrated Shower Toilet

Installation Manual



For your safety

To avoid the possibility of any accident and install the shower toilet safely, please read the following points to attention before the installation.

Explanation of Terms

Warning: Death or serious injury may incur due to improper usage.

Notice: Injury or property damage may incur due to improper usage.

 Warning	Except specialized technicians, do not remove, repair, transform this product. ※Otherwise, it may cause electric shock, fire, or abnormal running, which lead to injury.	
	Make sure that no water or detergent spills to electronic cover, inside of the remote control power. ※Otherwise, it may lead to electric shock, fire.	
	Effective connection with the ground wire shall be ensured. ※Otherwise there is a risk of electric shock in case of the failure or leakage. ※Please contact the electrical installation company if there's no ground terminal on the socket.	
	Do not install the shower toilet or remote control at a humid place where water splashes. ※Otherwise, it may lead to electric shock, fire.	
	Do not use a damaged or loosen plugs. ※Otherwise, it may lead to electric shock, fire.	
	Connect the water inlet to water pipe. Please wash and completely clean the strainer if there is dirt or dust on the strainer. ※Otherwise, internal corrosion of the machine may cause electrical shock, fire and skin infections.	
	Do not touch power plug with wet hands. ※Otherwise, there is a risk of electrical shock.	
	Effectively install the leakage breaker. ※Otherwise, it may lead to electric shock due to failure and leakage. ※If there is no leakage breaker, please contact the electrical installation company.	
 Cautions	Do not scratch or damage the power cord. Do not modify, force it to bend, stretch, curl, bunch, place heavy objects on it, excessive pinch. ※Otherwise, the power cord may be broken and lead to electric shock or fire.	
	Do not use power other than 220V AC. ※Otherwise, it may lead to electric shock, fire.	
	When removing the strainer, be sure to turn off the angle valve. When installing the strainer, do not leave any gaps and close the valve tightly. ※Otherwise, it may lead to water leakage and indoor ponding.	
	Make sure the water supply hose is installed firmly. ※Otherwise a loose nut may cause water leakage.	
	A leakage test shall be done after the adjustment and installation of angle valve. ※Otherwise the home property may be moistened in case of water leakage.	
	Please drain the water before delivering to the customer to avoid freezing. ※Otherwise freeze damage caused by leakage may moisten the home property.	
	Plug into the power socket only when the installation completes. ※Otherwise burning and leaking may be caused.	

Recommended tools and materials (customer-supplied)

Putty Knife	Adjustable wrench	Channel lock pliers	Phillips screwdriver
Pipe wrench	Level	Hacksaw	Regular screwdriver
Drill	Silicone	Tape measure	

Power confirmation

- Please use the power socket with AC220, maximum power consumption is 1300w.
- The power cord is 1 meter in length.
The power socket shall be placed within the power cord range and far away from the water area.
- Make sure the product is properly grounded.
 - * The wiring installation can be done by the electrical installation company.
 - * Plug into the power socket only when the installation completes.

Water using

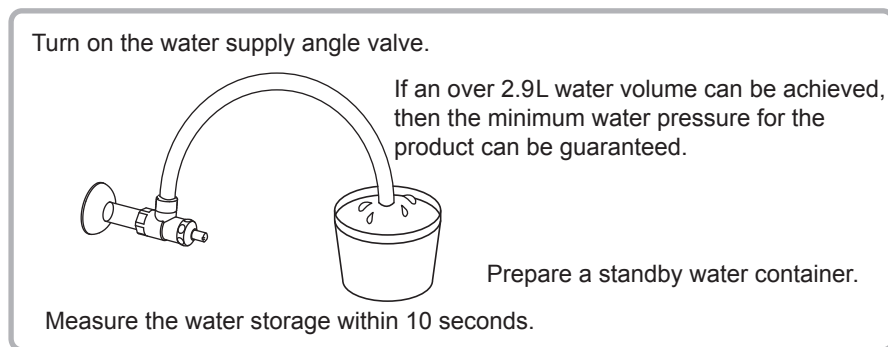
Ensure the product links with municipal water supply pipe. The durability of electric and machine parts may be reduced by using heavy water, industrial water or well water.

Water pressure

- The minimum working water pressure shall be over 0.1MPa (dynamic pressure), and the maximum static water pressure is 0.75MPa.
Make sure the water pressure is higher than the min. requires to realize the function.

How to check Minimum water pressure

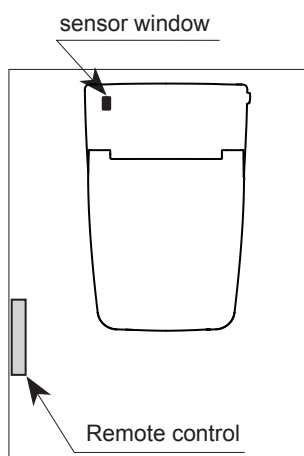
If you do not have pressure meter, check the pressure as the right picture shown.



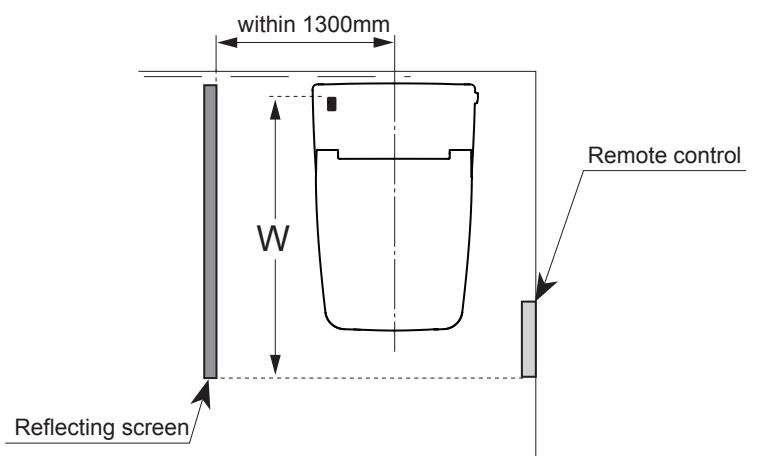
Remote control installation

Install the remote control at the same side of the sensor window as far as possible.

When the remote control is installed at the left wall



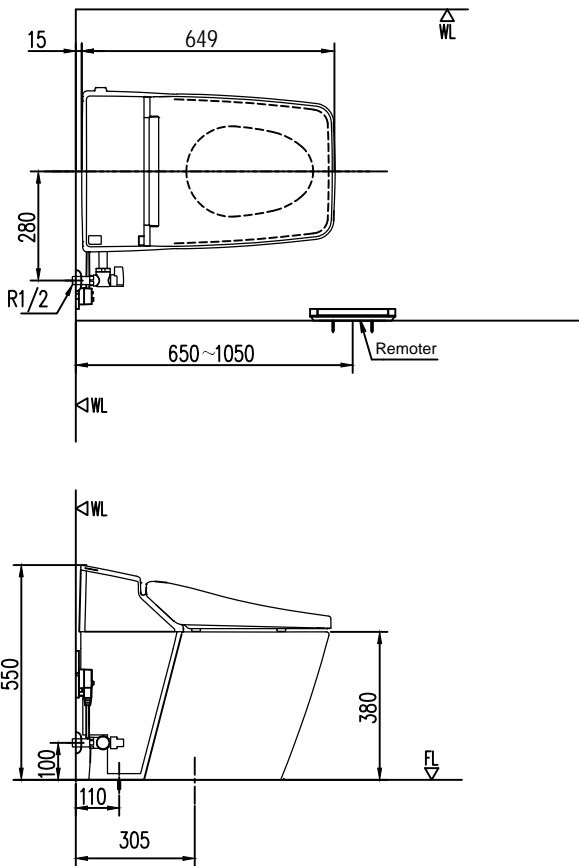
When the remote control is installed at the right wall



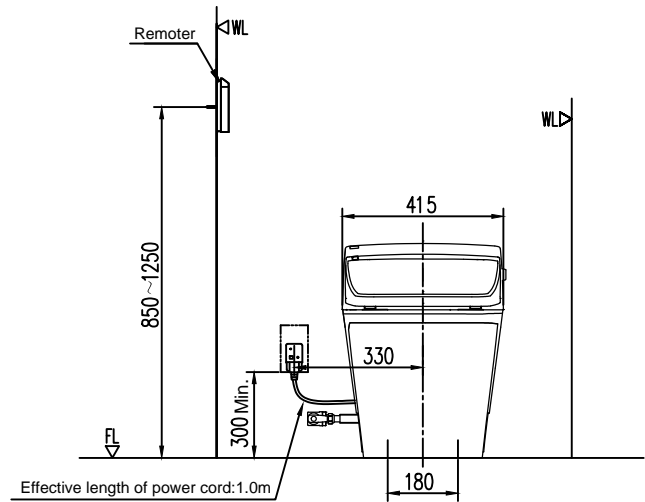
Sometimes you need to install the remote control on the contrary of the sensor window, and make sure the window can receive the signal before installation. When there are some other equipments are at the same side of wall, you need to install a reflecting screen within 1300mm to product center line. The dimension of reflecting screen is min height 1100mm, width is the distance from sensor window to remote control.

ROUGHING-IN DIMENSIONS

Unit: m m

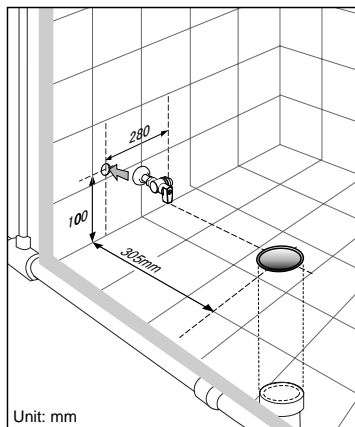


Dimensioning diagrams are provided for each model.
Note: dimensions are nominal and may vary within the range of manufacturing tolerances.



1

Piping preparation



Water supply angle valve:
connection dimensions: 1/2inch straight thread.

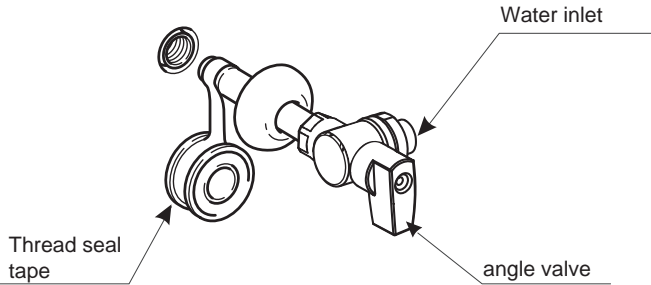
Drain outlet:
102mm-inner diameter standard pipe; a certain inclination shall be kept when the horizontal drain outlet is installed (2mm inclination per 100mm).

Vent hole:
No less than 1-1/2inch, connected with drain outlet.

2 Installation of water supply angle valve

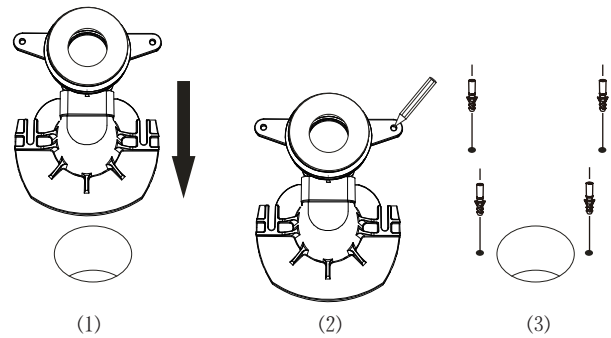
Water supply angle valve can only be installed when the construction on the wall and the floor has been finished.

- (1) roll the thread seal tape on the screw thread after installing the valve;
- (2) screw down the angle valve.



3 Floor fixing hole preparation

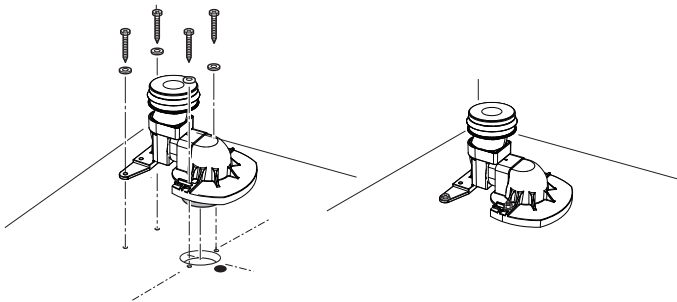
- (1) Align the ring-sealed loose trap with the ground waste outlet, and mark down the place on the ground; drill along the mark and install the expansion bolts as shown in the picture.



4 Install the loose trap

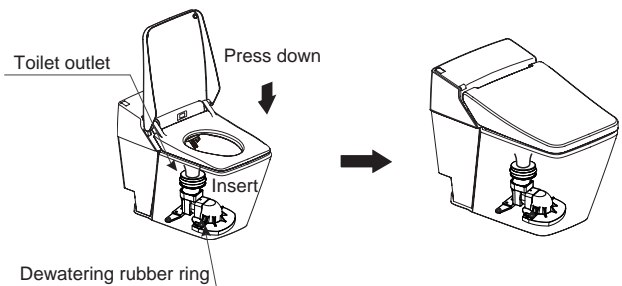
- (1) as shown in the picture, place the ring-sealed loose trap against the waste outlet on the ground and fix with set screws.

Remark: tighten the screws alternately instead of one by one so as to ensure the loose trap installed properly.



5 Position the toilet

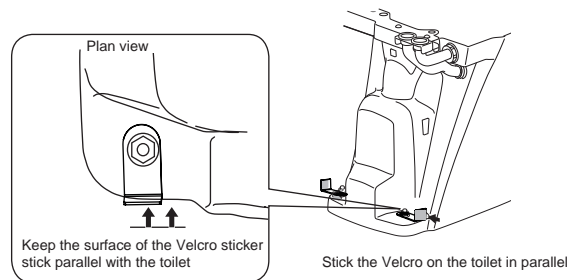
- (1) lift the toilet up to the place over the loose trap.
- (2) Aimed the toilet outlet to the installed loose trap, and make sure the set screws at the rear position on the ground align with the mounting holes on the toilet, and place down the toilet.



6 Fixing the toilet

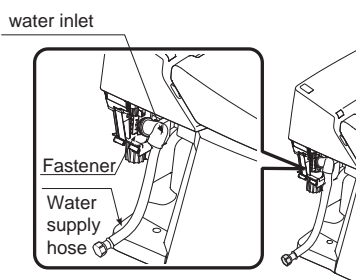
- (1) keep the Velcro sticker that is used to fix the metal plate on the rear position of the toilet parallel with the side of the toilet;

- (2) put in the set screw and tighten with gasket and hold-on nut, and then put on the cover.



7 Installation of water supply hose

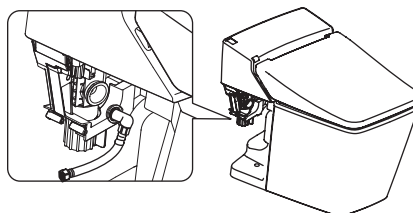
Installation diagram



Avoid excessive outside force on the water supply hose when installing

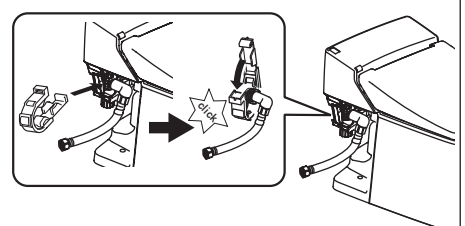
- (1) Install the water supply hose.

- ① Remove the protective caps of the water inlet .
- ② Insert in the water supply hose.



- ③ Fix with fasteners.

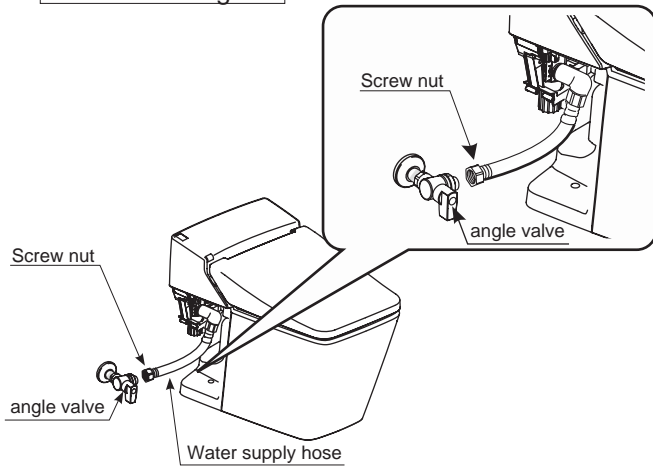
- The installation may fail if the orientation of the fastener does not keep with that shown in the picture.



8

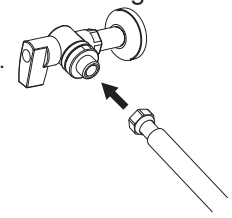
Connect the water supply hose

Installation diagram

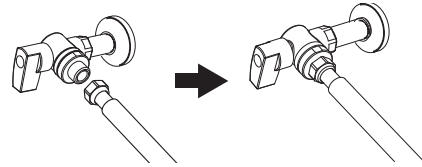


(1) Connect the water supply hose with angle valve.

- ① Remove the protective cap.
- ② Insert the water supply hose in.



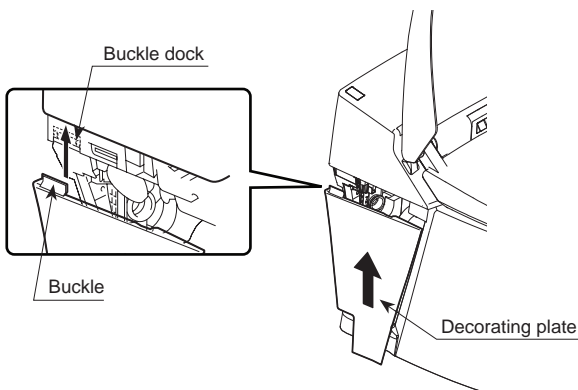
- ③ Screw down the nut.



9

Install the decorating plate

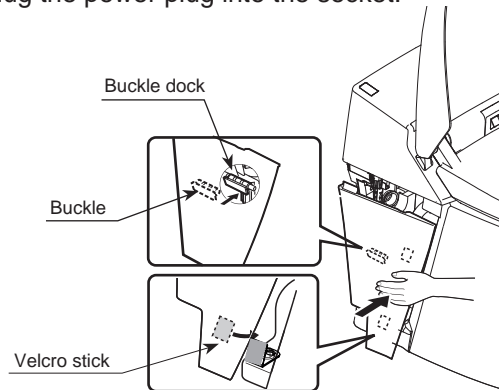
1 Insert the buckle on the upper side of the decorating plate into the buckle dock in the cover plate from the bottom to top.



2 Press the lower side of the decorating plate and embed the buckle into the dock of the decorating plate into the buckle dock.

3 Make sure that the plate has been installed tightly.

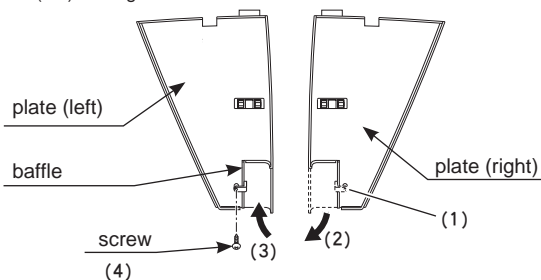
4 Plug the power plug into the socket.



Angle valve at the right side

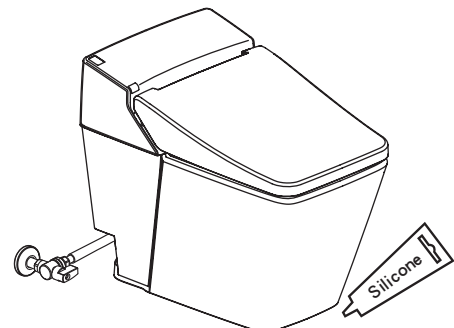
Connect the baffle attached to the decorating plate (right) to the plate (left).

- (1) remove the screws on the inner side of the decorating plate (right).
※following the order indicated by arrows.
- (2) remove the baffle of the decorating plate (right).
※following the order indicated by arrows.
- (3) install the baffle on the decorating plate (left).
※following the order indicated by arrows.
- (4) fix the screws on the inner side of the decorating plate (left) and tighten the baffle.



10

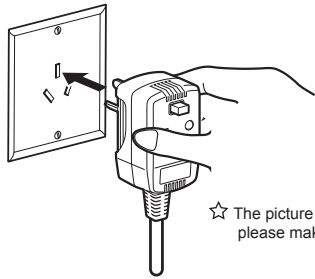
Finish the toilet



- 1 Check level.
 - 2 Apply silicone putty along the intersecting edge of the toilet base and floor, ensuring a complete seal. Remove excess sealant.
- Note: Silicone not supplied in the packaging.
Fixing the toilet with cement is strictly prohibited.

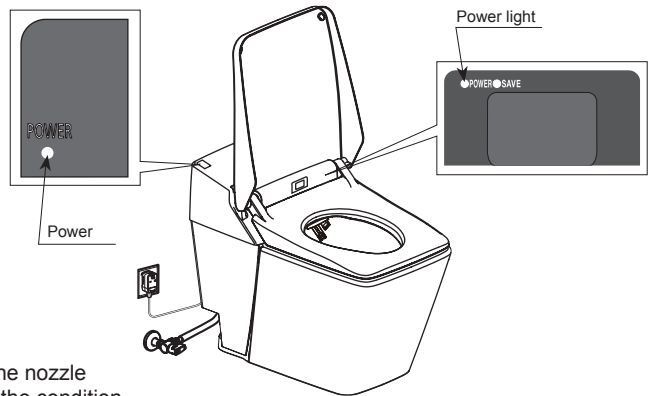
11 Power connection

(1) Plug in the power socket.



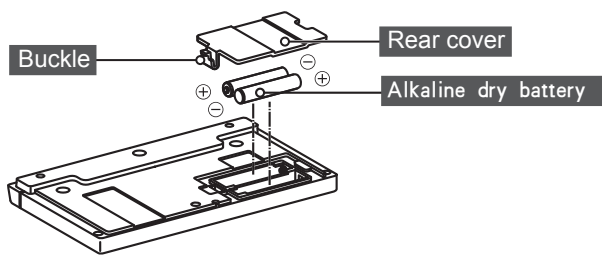
- * Connect the power only when the E-bidet has been successfully installed.
- * If the power indicator fails to light on, press the reset button and make sure the indicator lights on.
- * Do not plug in the power socket when sitting on the toilet; otherwise the nozzle may fail to work. If such a case occurs, re-plug in the power socket in the condition of the toilet being not touched.

(2) Make sure that the power is connected. Make sure that the power indicator on the electrical cover plate lights on.



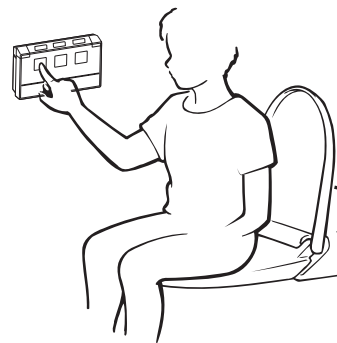
12 Determine the location of the remote control

(1) Open the rear cover of the battery compartment of the remote control and place 2 AA batteries.



Don't mistake the anode and cathode of the battery and do not mix the used battery with new battery.

(2) Place the remoter in a proper location and press down the "stop" button sitting on the toilet seat to confirm whether there's a beep from the warm-water shower and bidet toilet from the shower toilet.

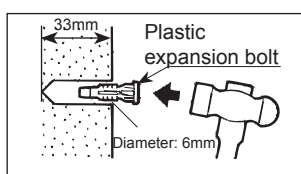


- * Water may spray out when pressing down "shower" or "bidet".
- * Leave space enough for taking down the remoter control when it is installed.

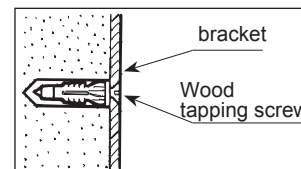
13 Install the remote control

(1) Mount the bracket at the installation place with the method complying with the wall material

- When it is installed on the cement wall:
 - a. Drill an about 6mm*33mm hole (0.24inch wide and 1.3 inch deep)
 - b. Hammer the plastic expansion bolt into the hole.



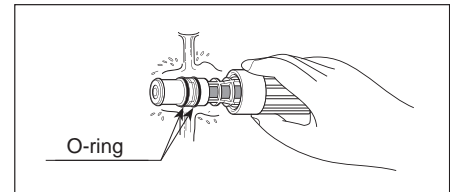
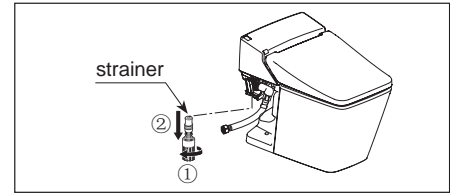
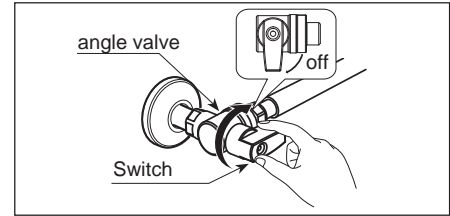
c. Fix the bracket on the wall with wood tapping screws firmly.



《When Feel the pressure weakened》

Clean the strainer for better water inlet.

- (1) Turn off the angle valve.
- (2) Press down the flush button on the toilet.
 - ※ Waiting for about 20 seconds;
 - ※ Discharging the inside water and release pressure.
- (3) Plug out the power plug and disassembly the decorating board.
- (4) Place a water sink under the strainer on the left side and disassembly the strainer.
 - (①:rotate clockwise ②: pull down)
- (5) Clean the strainer and O-ring.
- (6) Tighten the strainer.
- (7) Mount the decorating board and plug the power plug in the socket.
- (8) Turn on the angle valve.
 - ※If problem still occurs after cleaning strainer,check the water pressure.



Instructions for Being Installed in Public Space

- *The following instructions are only applied for the installation of the products in public space like hotel, supermarket, or school when several products are installed in line, instead for the installation in private restroom.
- *Please contact professional technicians if the installation or setting of the product shall be changed.

1. Change the signals transmitted from the remote control.
 - (1) Take out the batteries from the remote control;
 - (2) Follow the signal table as the right, press the corresponding button, at the same time put in the battery and keep 6 seconds for Sign 0~5, but please press the corresponding button and keep 20 seconds for Sign 6 or 7.
 - (3) When the transmitting signal changes, the power light of the Remote control will flash correspondingly. (The times of flashing varies with the change of signal.)
2. Change the signals received by the electrical panel.
 - (1) Plug out the power plug of the toilet seat that needs to change the signal.
 - (2) Plug in the power plug and press down the "stop" button for over 10 times consecutively within 10 seconds.

List of signals	operation	flashing times of the power light
Signal 1	WATER TEMP.	1
Signal 2	SEAT TEMP.	2
Signal 3	POWER SAVE	3
Signal 0	NOZZLE CLEANING	4
Signal 4	SPRAY STRENGTH (-)	5
Signal 5	SPRAY STRENGTH (+)	6
Signal 6	SHOWER	7
Signal 7	BIDET	8

Default setting: signal 0

Warning:Do not turn on or off the power main switch in the room in the above-mentioned operations;

- ※ If there are more than one toilet is connected to power,it may be possible that the signals received by other toilets be changed at the same time.