

## Aerozen G2(China)

### Shower Toilet



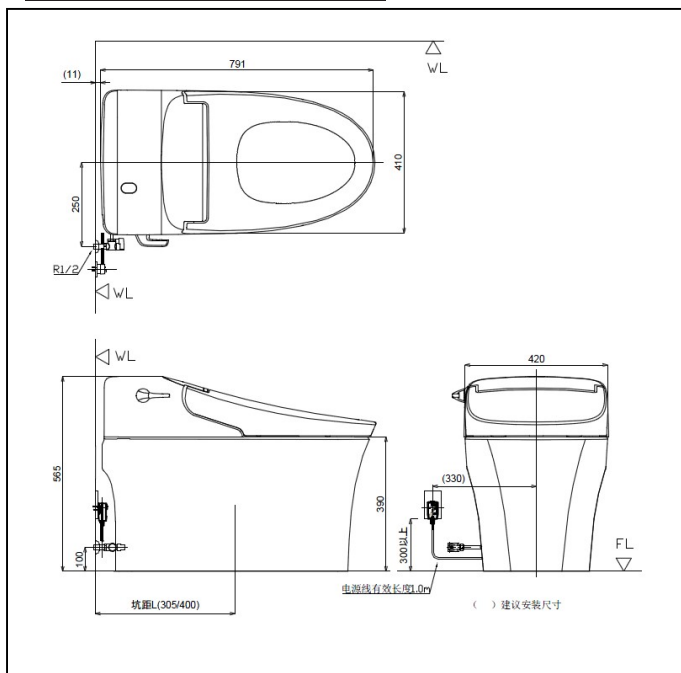
### FEATURES

- Full skirt design
- Type of Flushing: Siphon Jet
- Single Flush: 6L
- Low tank and with small tank in e-bidet
- Auto flushing
- Soft-closing S&C
- Dual nozzles
- SIAA anti-bac for seat part, anti-bac material for seat cover, nozzles
- Auto deodorizer
- Aqua Ceramic
- Comfortclean

### SPECIFICATIONS

- **Rated Voltage:** AC220V 50Hz
- **Rated Power:** 300W+5%-10%
- **Operating Temperature Range:** 0°C - 40°C
- **Water Pressure Range:** 0.06MPa (flow pressure) - 0.75MPa (static)
- **Shower Water Consumption:** 0.27 ~ 0.57L/min (6-mode adjustment) when water pressure is 0.2MPa
- **Bidet Water Consumption:** 0.45 ~ 0.65L/min (6-mode adjustment) when water pressure is 0.2MPa
- **Hot Water Temperature Range:** About 32°C ~ 40°C (6-mode adjustment)
- **Hot Water Heater Power:** 250W
- **Dryer Temperature:** environmental temperature ~55°C (3-mode adjustment)

### DIMENSIONAL DRAWING



### INCLUDED COMPONENTS

- Remote control
- Angle valve and hose
- Plastic trap way

### STANDARDS CRITERIA

- GB