

American Standard

160MM Concealed Cistern 3/4.5L Front WH
VP-G30042



Application Purpose

- For concealed installation
- For front actuation

Characteristics

- Dual flush
- Adjustable flushing volume
- Concealed cistern fully insulated against condensation

Product Details

3/4.5L

AWARDS WON

- N/A

STANDARDS CRITERIA

- GB26730

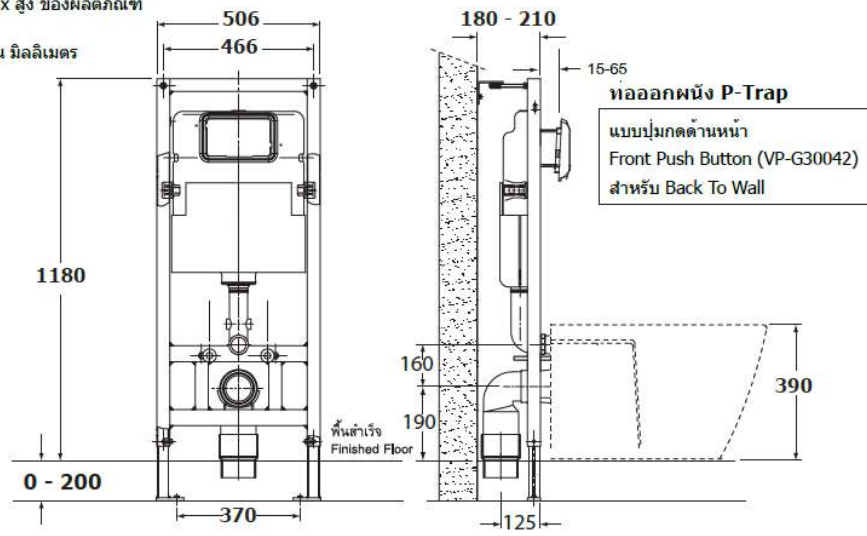
DIMENSIONAL DRAWING

* ภาพแสดงขนาด กว้าง x ยาว x สูง ของผลิตภัณฑ์

* Dimension of product

หมายเหตุ : ขนาดหน่วยวัดเป็น มิลลิเมตร

Note : All size unit is mm.



This document is the property of American Standard. It can neither be reproduced, nor communicated, without authorization.

American Standard reserves the right to change dimensions and specifications without notice, we assume no liability for the use of obsolete dimensions.