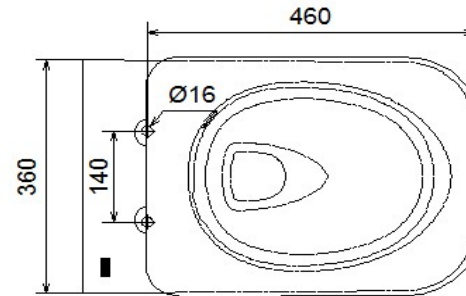
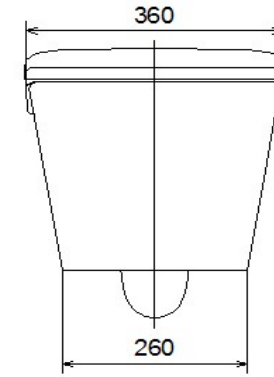
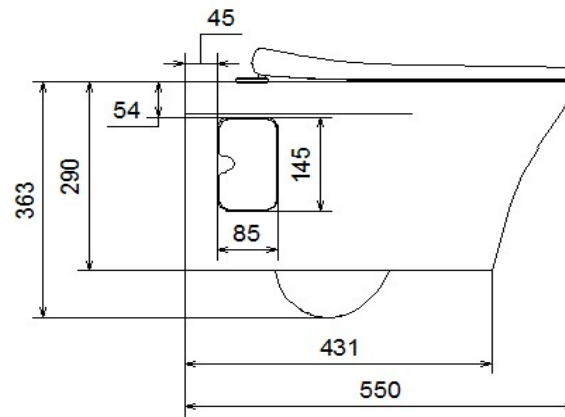



Product Specification

Product Type	Wall hung toilet
Basic dimension (L*W*H)	Ceramic: 550 x 360 x 363 mm Other country certification refer Norm check list
Certification	No certification required for India (Function & dimension refer GB)
Quality requirements	American Standard internal
Flushing action	Push plate on wall
Special flush (Platform)	Wash down (Global PF3)
Flush volume	3/4.5Lpf
Coated ceramic	White glaze with Comfort glaze
Rimless	Yes
Additional glazing area	Trap inside need Glaze
Color	White Heat II (Asia White)
Brand Logo	American Standard (Asia) 
Installation	No need wall hung bracket, but with side window covers
Seat&cover	UF material & slow closing (HOTI A272 UF Seat cover)
Tank trim & flush system	WDI K303 concealed tank without frame for India market
Roughing-In	220mm horizontal to wall only
Water connection	In wall flush cistern
Water Pressure	0.14~0.55MPa (static pressure)
Package	Carton box
Weight (Net)	23.5 kg (ceramic only)
Material	VC
Similar model	N/A
MFG Location	India factory (temporary 6~9 months in VINAX)
Mold design	Bank Casting, no rim stick
Market	India market
Others remark	Other countries to be update next



QC issue	
Code: LFP-4-17-014	Date of issue : 17/09/2019

Created by	Checked by	Approved by	Customer:	India market	 Kastello Square 3/4.5Lpf WH toilet CCAS2131
Nguyen Van Phuc	Van Quoc Thinh	Shinsuke Taniguchi	MFG:	India	
			Develop	IDC/VINAX	

Ver: 1.1

Nguyen Van Phuc

Van Quoc Thinh

Shinsuke Taniguchi

Develop

IDC/VINAX