

Signature

Wall-hung Toilet
CCAS2140



FEATURES

- Double Vortex Washdown
- Aqua Ceramic and Comfort Clean
- Water Saving
- Hygiene Rim(Rimless)
- Easy to Clean
- CrystaSleek Seat & Cover

SPECIFICATIONS

- Flushing Type: Dual Flush 3/4.5L Litres per flush
- Outlet type: P trap only
- Bowl shape: Elongated
- Roughing in: P-trap 220mm
- Overall Dimensions: W382xL550xH362 mm
- Material: Vitreous China

COLOR AVAILABILITY

- White (WT)

INCLUDED COMPONENTS

- CrystaSleek seat & cover
- Installation manual

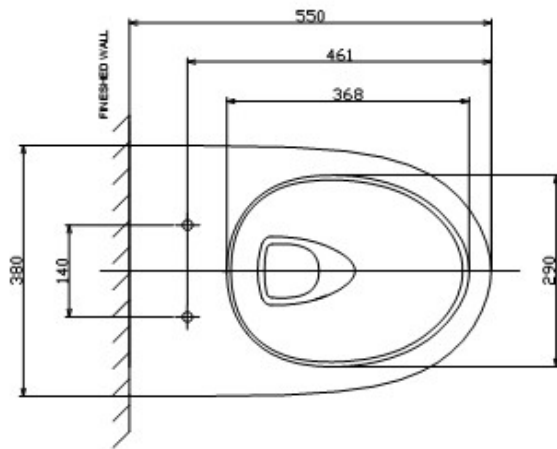
SHIPPING WEIGHT

- Net weight: 22.5 KGs (bowl)
- Gross weight:22.5 KGs(bowl)

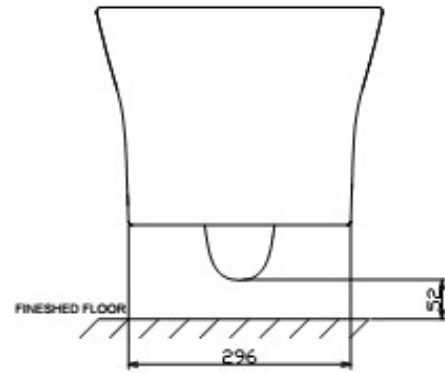
STANDARDS CRITERIA

- TIS
- GB
- EN

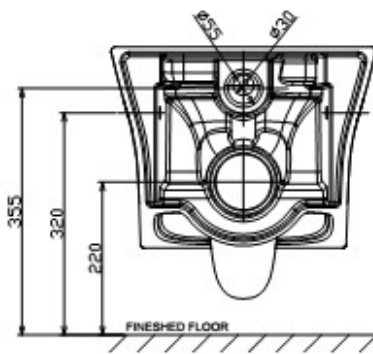
DIMENSIONAL DRAWING



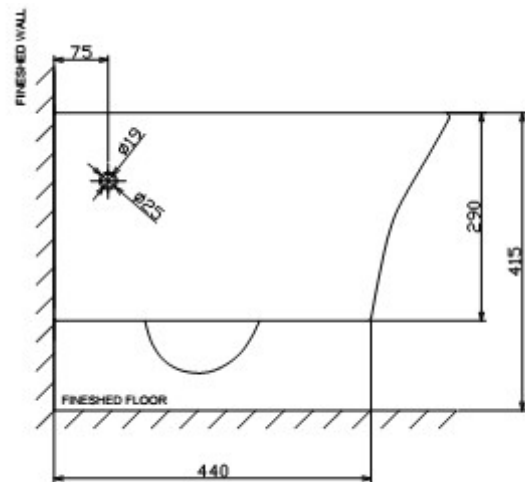
TOP VIEW



FRONT VIEW



BACK VIEW



SIDE VIEW