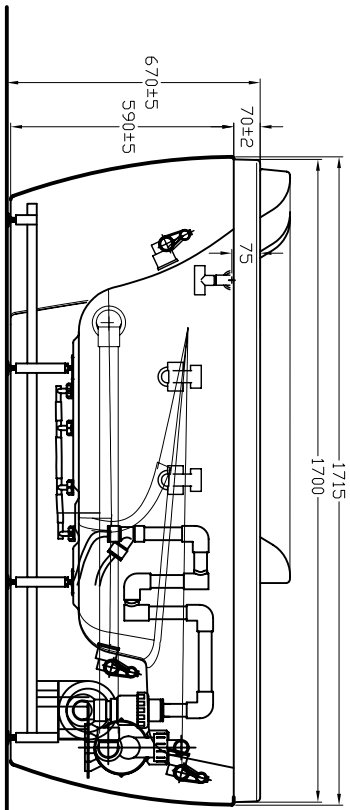
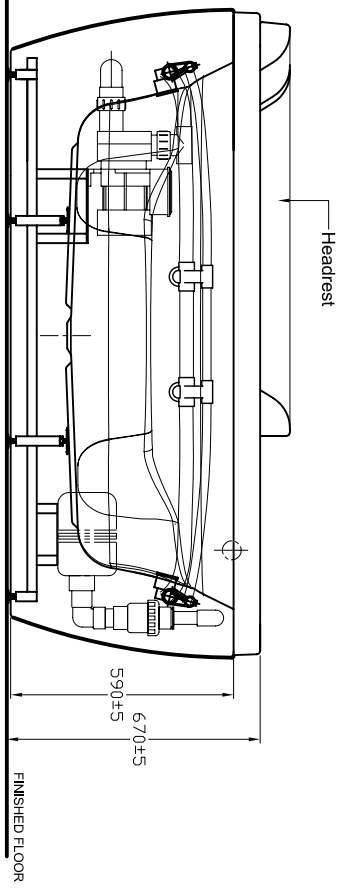


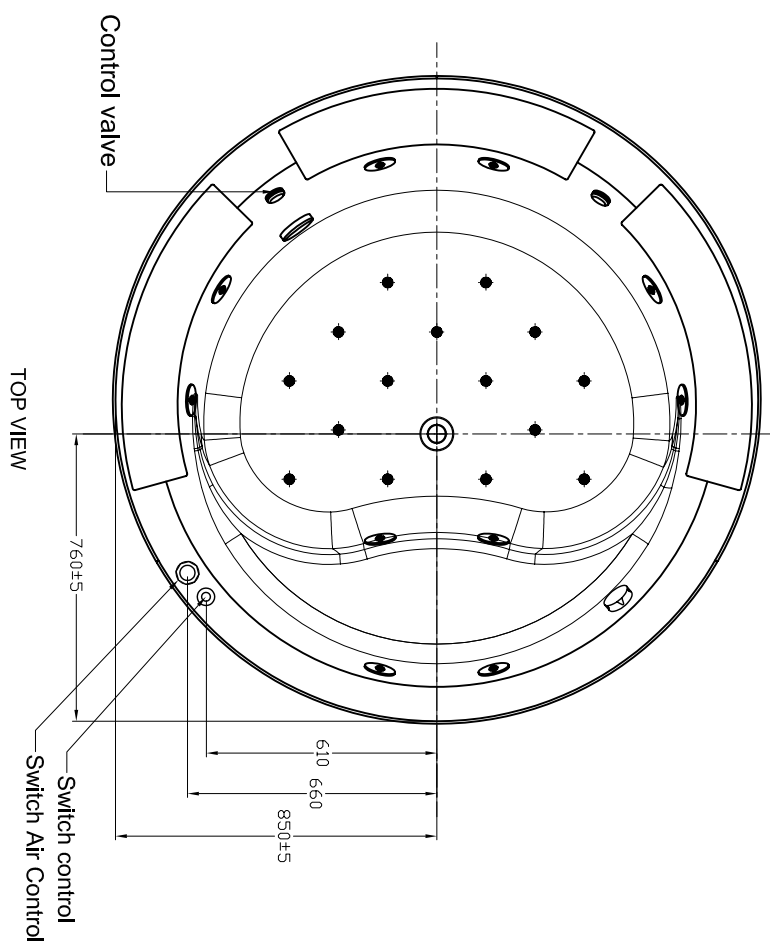
FIRST ANGLE PROJECTION  IF IN DOUBT ASK



FRONT VIEW



SIDE VIEW



TOP VIEW

GENERAL SPECIFICATION
 TUB SIZE : Ø 1,700x500 MM.
 APRON SIZE : Ø 1,714x590 MM.
 NET WEIGHT : 85,7+31,0 KG.
 Whirlpool : 10 Jets
 Airpool : 15 Jets
 CAPACITY : 330 LITRES
 PUSH WASTE & OVERFLOW : AC-7110410
 HEADREST : AC-8002

ELECTRIC SPECIFICATION
 PUMP 1HP : 220V, 50Hz
 AIR BLOWER 1HP: 220/230V., 50/60 HZ.

FAUCET : Silver A-3195
 (recommended / not supplies)

Without Faucet

GEOMETRIC TOLERANCE SYMBOLS			
CHARACTERISTIC SYM	CHARACTERISTIC SYM		
STRAIGHTNESS	ANGULARITY		
FLATNESS	CONCENTRICITY		
ROUNDESS	SYMMETRY		
CYLINDRICITY	SURROUNDESS		
PARALLELISM			

DEPARTMENTAL	APPROVAL/DATE	REVISION	REVISION
DESIGN	DATE	DRAWN	DESCRIPTION
ACRYLIC PLANT	30/04/08	DHANYADHORN	70212100
DA & R-LAB	SCALE		IDS Round (FSD)1.7
MATERIAL	PAGE		Whirlpool & Air pool
ACRYLIC	1		

MATERIAL	FINISH	DWG.No	500131-00
ACRYLIC			

American Standard
 BATH & KITCHEN