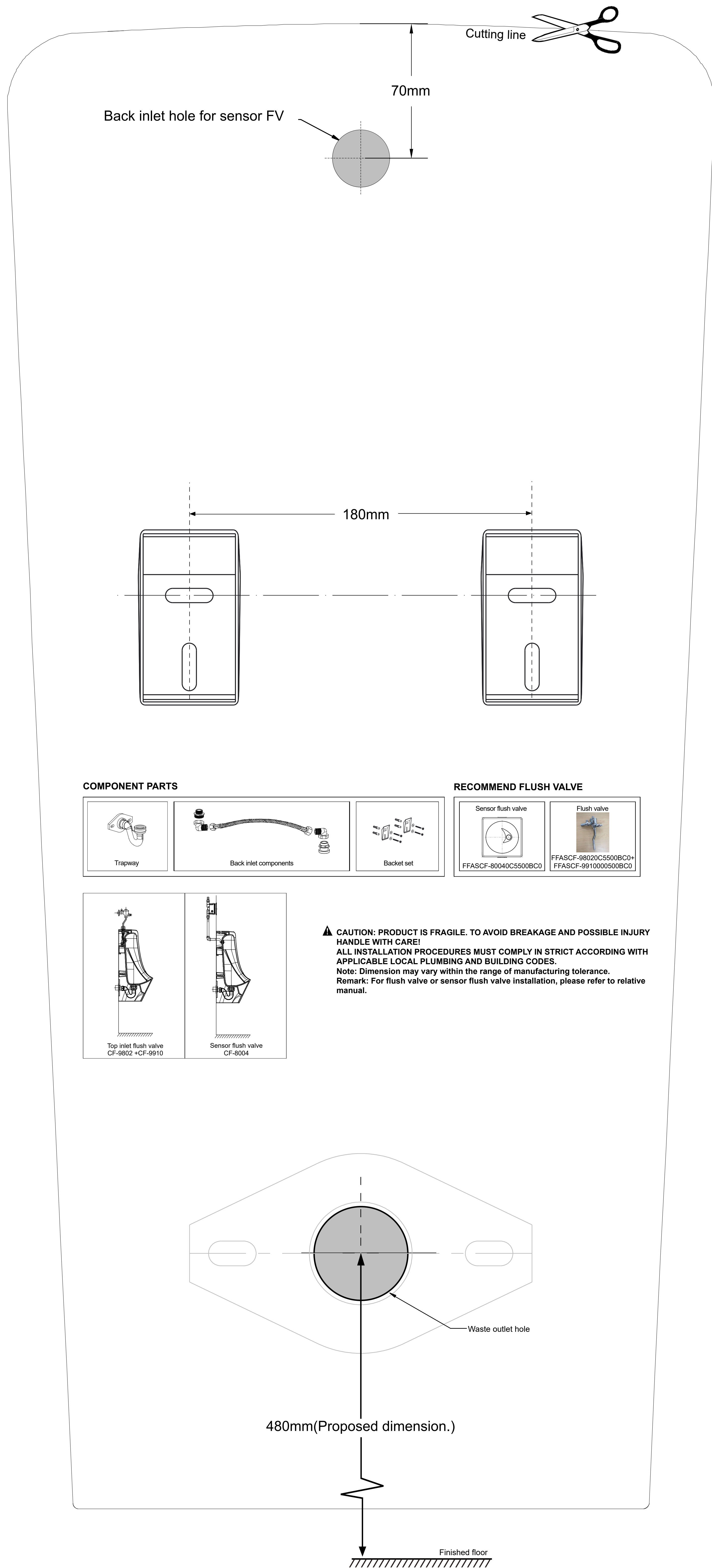


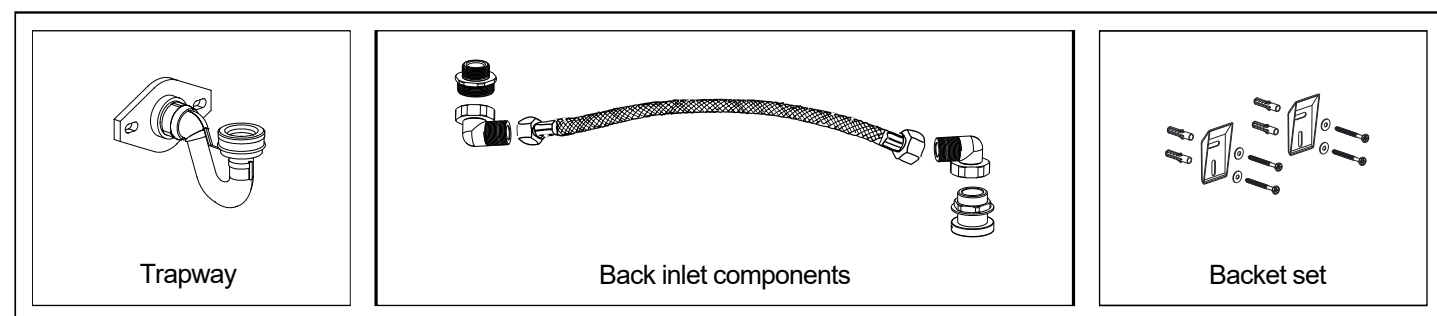
American Standard

Installation template

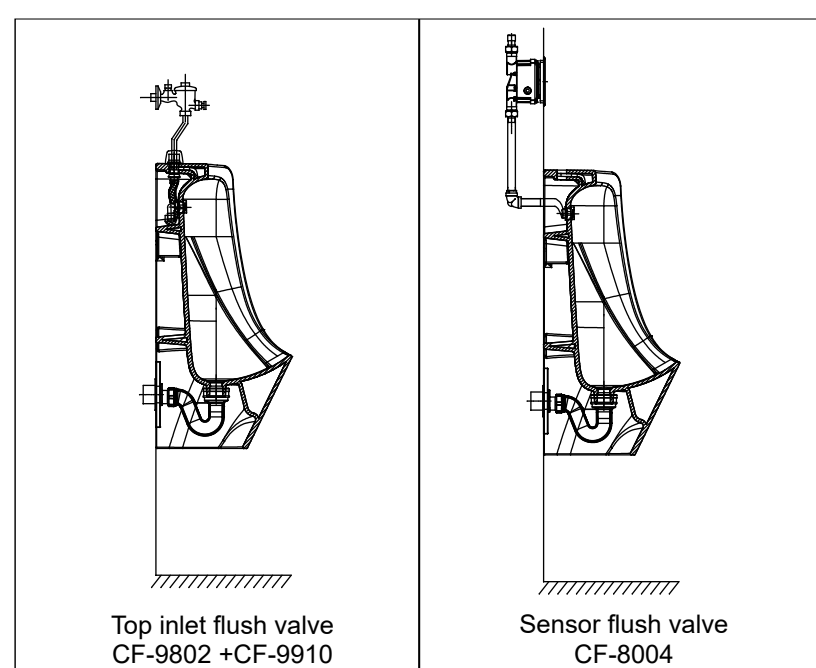
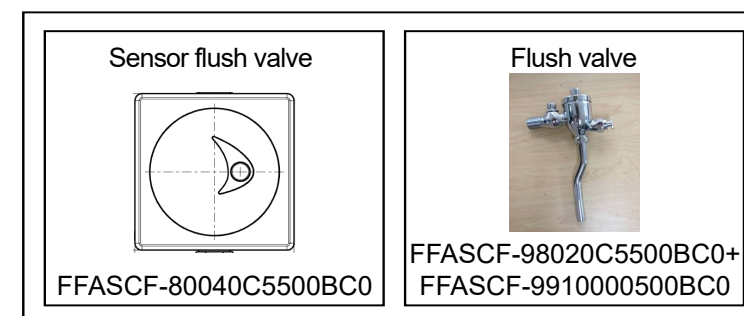
Lynbrook 0.5L Water-saving Wall-Hung Urinal CCAS6509



COMPONENT PARTS



RECOMMEND FLUSH VALVE



CAUTION: PRODUCT IS FRAGILE. TO AVOID BREAKAGE AND POSSIBLE INJURY HANDLE WITH CARE!
ALL INSTALLATION PROCEDURES MUST COMPLY IN STRICT ACCORDING WITH APPLICABLE LOCAL PLUMBING AND BUILDING CODES.
 Note: Dimension may vary within the range of manufacturing tolerance.
 Remark: For flush valve or sensor flush valve installation, please refer to relative manual.

1 INSTALLATION PREPARATION

Put cut-template on the wall, mark mounting holes(A,B,C) according to the dimension, and drill the holes using a drill.

2 INSTALL THE FLANGE

Install the flange on the outlet hole, ensure well sealed, and install the bracket.

3 INSTALL THE TRAPWAY

1 Connect the trapway to the flange.
 2 Adjust the trapway to keep the dimension of the top of the trapway to finished wall and finished floor to be 165mm and 495mm as picture shown.
 3 Pre-install the urinal, and check the match between ceramic and cut template.
 4 Applying PVC cement sowent on the trapway and flange, then connect the trapway to the flange.

Note: If the waste outlet hole is smaller than 46mm, please cut the in-wall part of the trapway according to the mark on the trapway(refer to figure 1).

4 INSTALL THE SPREADER

Apply thread seal tape to avoid water leakage.

5 INSTALL THE CONNECTION

A. Top inlet

B. Back inlet

6 INSTALL THE URINAL

A. Top inlet

B. Back inlet

Lift up the urinal, ensure the water outlet hole align to the trapway, then put the urinal vertically down to the bracket and trapway, fix the urinal. (Please support the trapway when putting down the urinal to prevent the break of trapway).

- Lift up the urinal, ensure the water outlet hole align to the trapway, then put the urinal vertically down to the bracket and trapway, fix the urinal. (Please support the trapway when putting down the urinal to prevent the break of trapway).
- Install the sensor according to sensor installation manual.

7 FINISH THE URINAL

- Install the strsiliconeainer.
- Open the water supply valve to check the assembly for any leak, if no leak was found, apply silicone sealant (not supplied) around the urinal base.