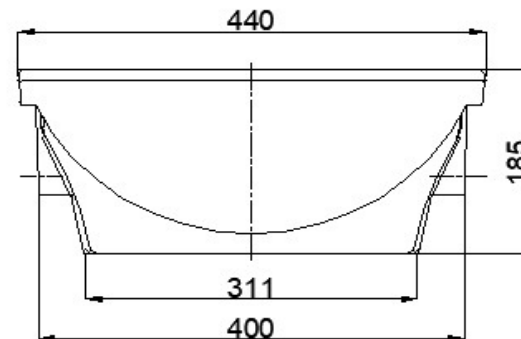
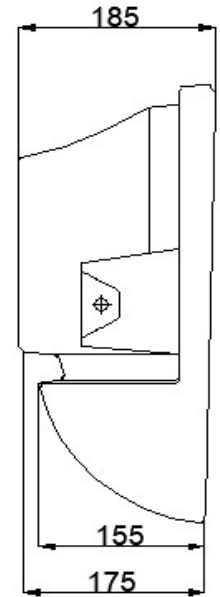
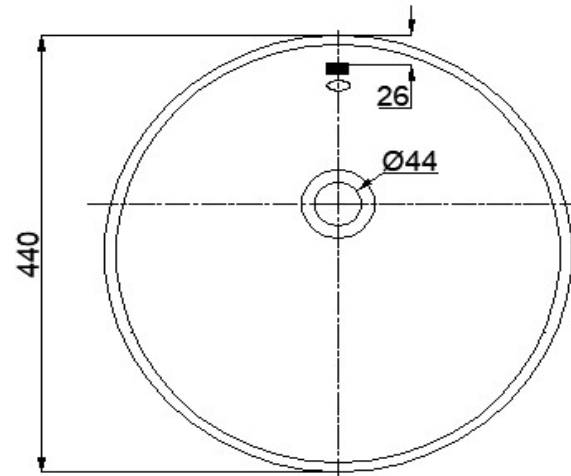


Product Specification

Product Type	Semi counter basin VF-0333
Basic Dimension	L440*W440*H185
Certification	N/A
Quality Requirement	Keep same as VINAX's standard
Faucet Hole	N/A
Faucet	N/A
Water Volume	4L
Component	Bracket, do not grind overflow hole, manual installation
Matching Pedestal	N/A
Weight	10.5Kg
Color	WH2
Coated Ceramic	Aquaceramic
Material	VC
Similar Model	L-333V
Logo	AS (Remove 'L-333' at the bottom surface)
Package	Carton box
MFG Location	VN / HANOI
Mold Design	Bank casting
Market	VietNam
Other Remark	



QC issue	Rev.#	Desc	Create by	Check by	Approve by	Customer	AS	LIXIL
	1.0	New created				MFG	VIETNAM	VF-0333
	2.0	Remove O-ring				Develop	LXIL Vietnam	
Code: FP-4-17-098	Date of issue: 22/12/2020	Ver. 2.0						