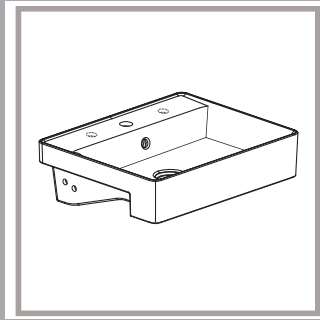
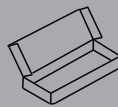
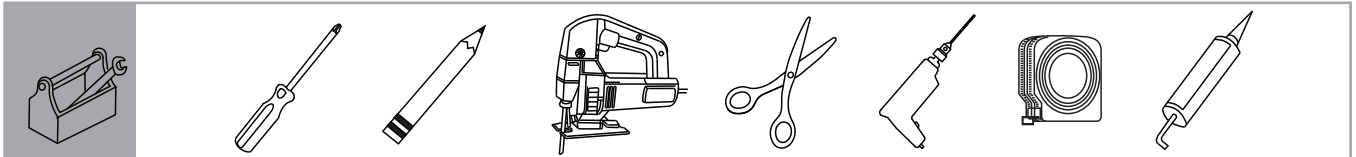
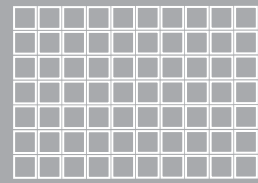


CCASF419-101/ CCASF419-108

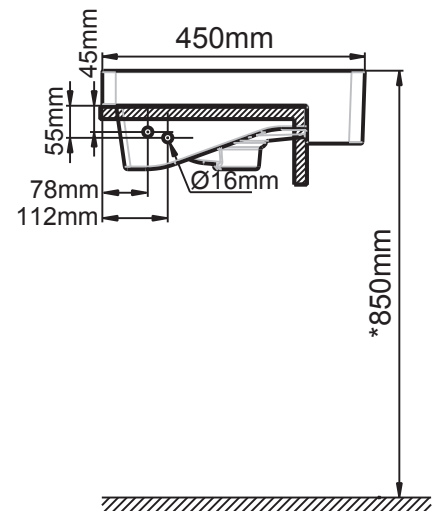
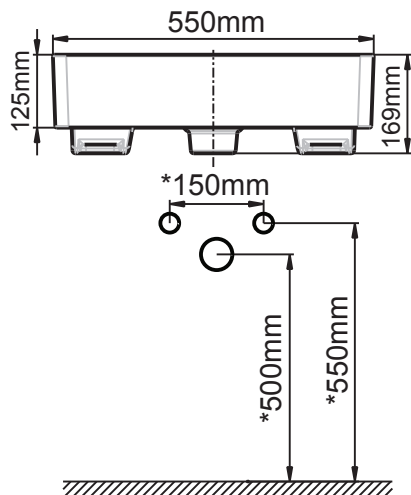
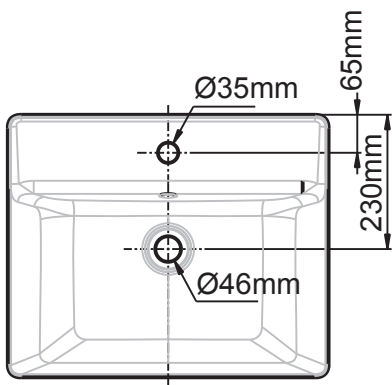
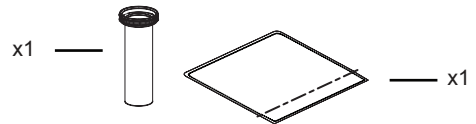
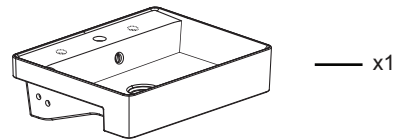
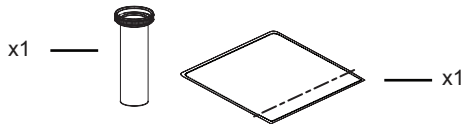
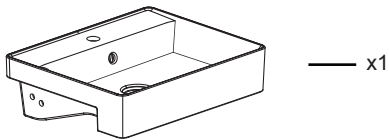


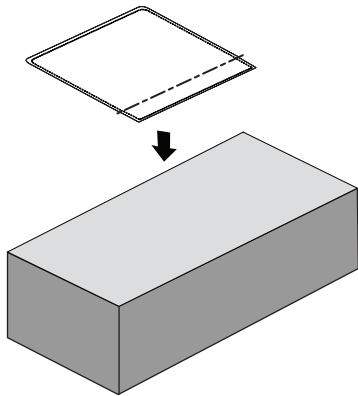
American Standard



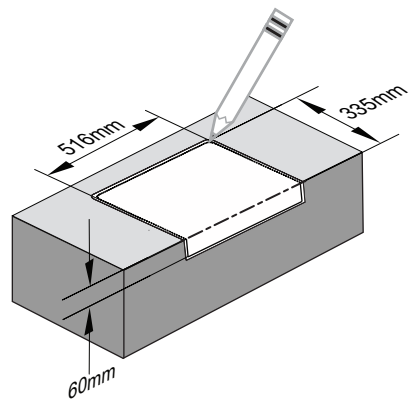
CCASF419-101

CCASF419-108

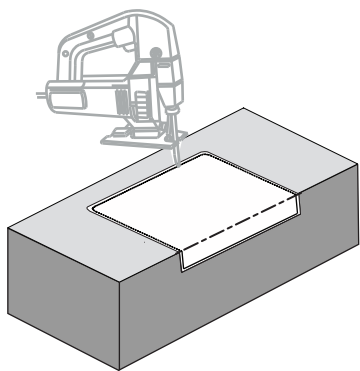




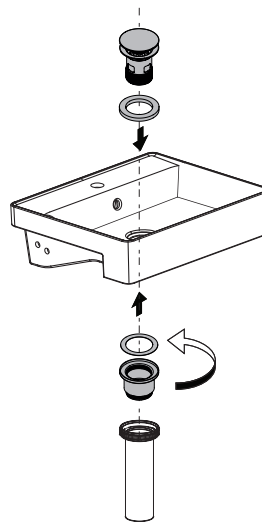
1



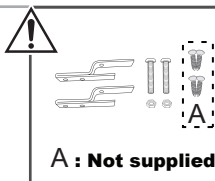
2



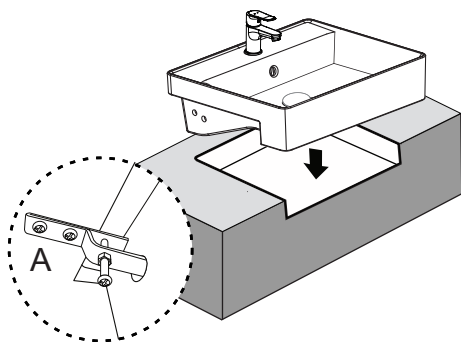
3



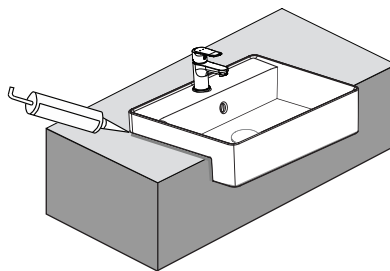
4



A : Not supplied

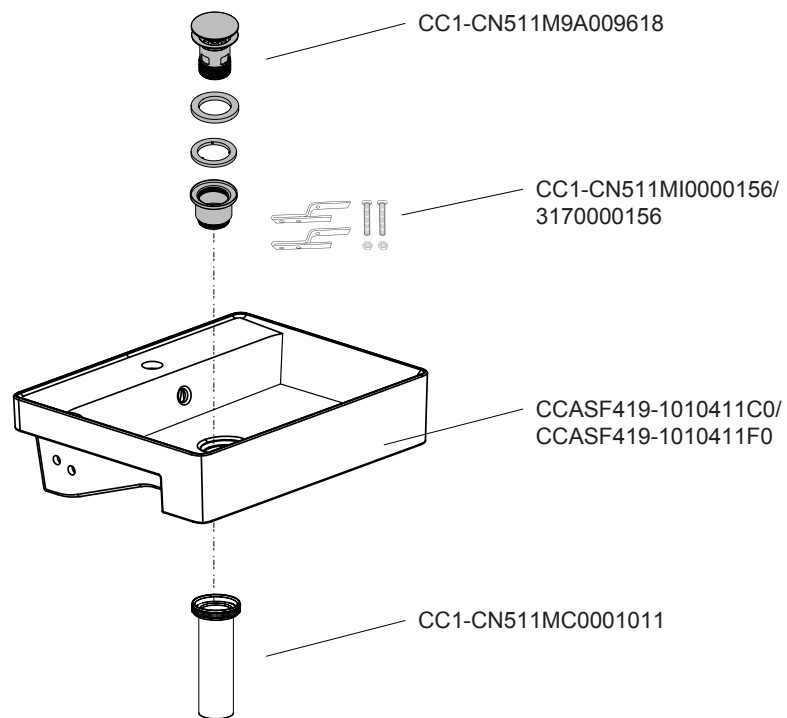


5

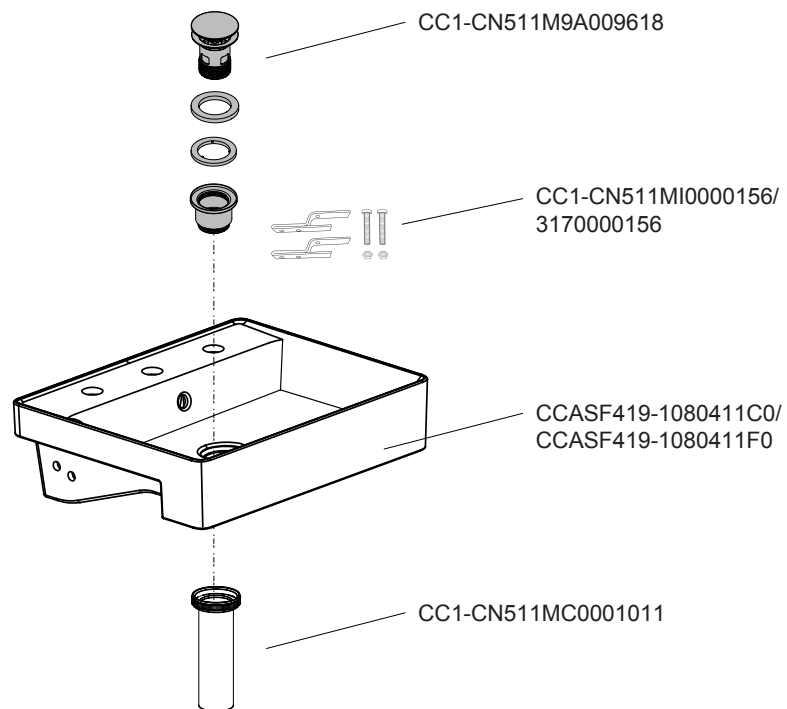


6

CCASF419-
1010411C0/
CCASF419-
1010411F0



CCASF419-
1080411C0/
CCASF419-
1080411F0



CARE AND MAINTENANCE

Do not use harsh abrasives or caustic cleansers to clean fixture surface. A mild detergent, warm water, and a soft cloth will remove normal dirt and soap accumulations from fittings and surfaces. Rinse thoroughly after cleaning and polish with a soft dry cloth to restore original luster of material.

保养和清洁

不要用粗糙的研磨剂和腐蚀性的清洗器清洁产品表面。用温和的清洁剂，温和的水和一张软布就可以将配件和产品表面的一般污渍和肥皂聚积物清除干净。在清洗之后用柔软的干布将产品表面擦干使之恢复原有的光泽。

DISCLAIMER

Please carefully check whether you have received the drainage device CC1-CN511M9A009618, which is the designated accessory specially designed for this product. To ensure your use of product, we strongly recommend to install this designated device for the product. American Standard shall not be liable for any quality issues and losses including product damage and water leakage caused by the use of non-designated drainage devices.

免责声明

请仔细检查是否已收到专为本产品设计的指定配件——排水装置CC1-CN511M9A009618。为保证产品的正常使用，我们强烈建议您为产品安装该指定排水装置。美标不负责客户因安装非指定排水装置而造成的产品损坏、漏水等问题及相关损失。