

Concept Square

Exposed Bath & Shower Mixer
With Shower Kit
FFAS0411-601500BF0



FEATURES

- Part of Concept Cube Collection
- 1.5m tangle free hose
- Single function hand shower
- Nickel and chromium plating for durable finish
- Flow Rate @ 0.1 MPa (Shower): 4.02 L/Min
- Flow Rate @ 0.1 MPa (Spout): 10.08 L/Min

SPECIFICATIONS

- Exposed Bath & Shower Mixer
- Wall-mount Installation
- Spout Reach: 160 mm

FINISHES AVAILABILITY

- Chrome (- CP)

SHIPPING WEIGHT

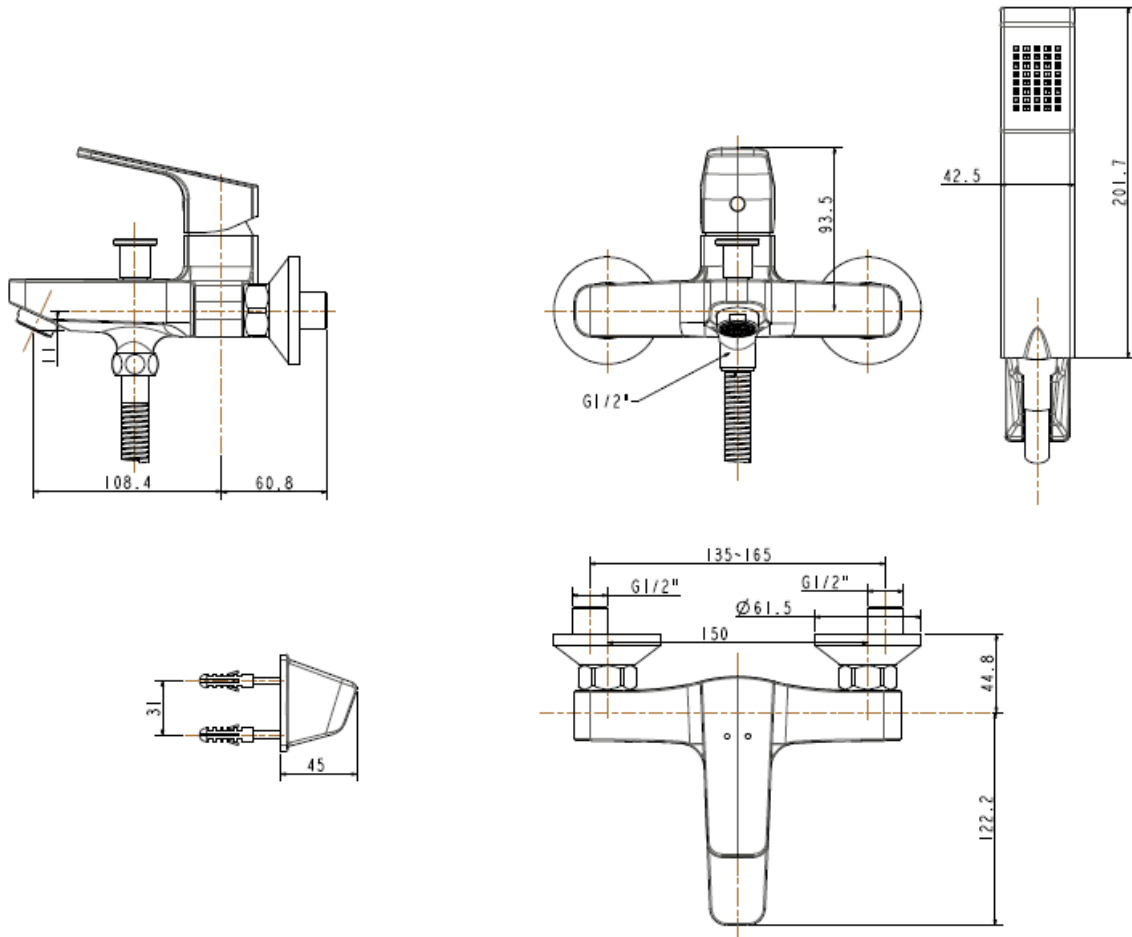
- Net Weight: 2.5 KG
- Gross Weight: 2.5 KG

STANDARDS CRITERIA

- TIS 2067-2552
- GB 18145-2014

American Standard

DIMENSIONAL DRAWING



This document is the property of American Standard. It can neither be reproduced, nor communicated, without authorization.

American Standard reserves the right to change dimensions and specifications without notice; we assume no liability for the use of obsolete dimensions.