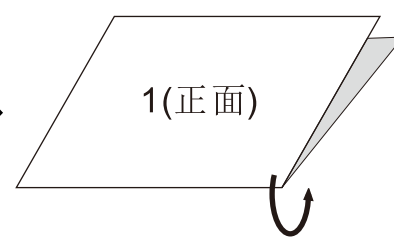
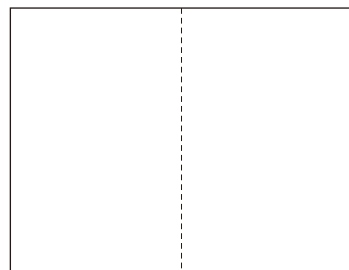


2020年7月29日

A/0

Tolerance, Unless Otherwise Stated. Is	
Above 0.5 to and including 6	±0.1
Excess 6 to and including 30	±0.2
Excess 30 to and including 120	±0.3
Excess 120 to and including 315	±0.5
Excess 315 to and including 1000	±0.8
Excess 1000 to and including 2000	±1.2



1. 说明书双面印刷完成
(297x210=A4) 共1张

2. 说明书折叠完成

制作说明:

1. 说明书完成的尺寸: 148*210
2. 材料: 80克的白色纸
3. 印刷说明: 说明书为297x210(A4) 双面印刷, 并折叠成148x210大小完成(详看图示)
4. 印刷颜色: 黑白
5. 印刷时, 内容准确, 清晰, 墨色均匀, 表面清洁。

包含的产品:
 FFAS0715-604500BF0 新摩登双把手挂墙浴缸 (镀铬)
 FFAS0715-604500BT0 新摩登双把手挂墙浴缸 (镀铬)
 FFAS0715-604090BF0 新摩登双把手挂墙浴缸 (白色)
 FFAS0715-604090BT0 新摩登双把手挂墙浴缸 (白色)

DESIGN	黄卓桓	2020.07.28	TITLE	Instructions 英文说明书	
CHECKED		2020.07.28	REF	新摩登双把手挂墙浴缸 说明书	
APPROVED			DWG NO.	FF1-CN521K00414899	
SCALE	MATERIAL	WEIGHT	<i>American Standard</i>		
REV	DESCRIPTION	DATE			

Test / Usage

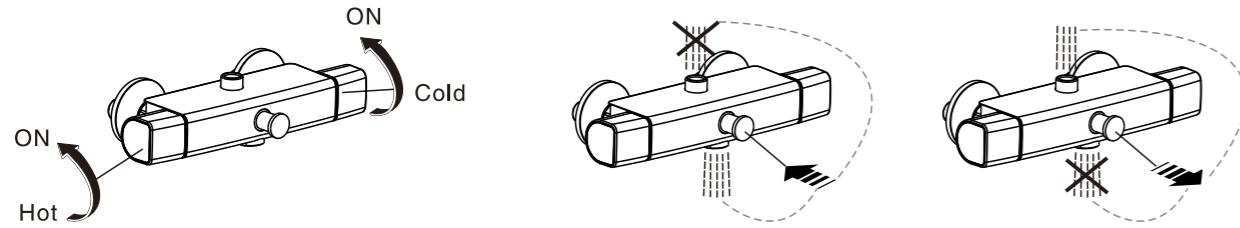
1 Test

- * Rotate the knob to 'OFF' position. Open water supply valve to check all connections for leakage(s).
- * Rotate the Knob to 'ON' position. Check that water is flowing from spout.

2 Usage

2020年7月29日

A/O

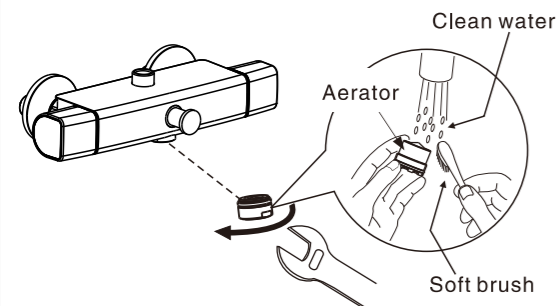


Trouble Shooting Guide

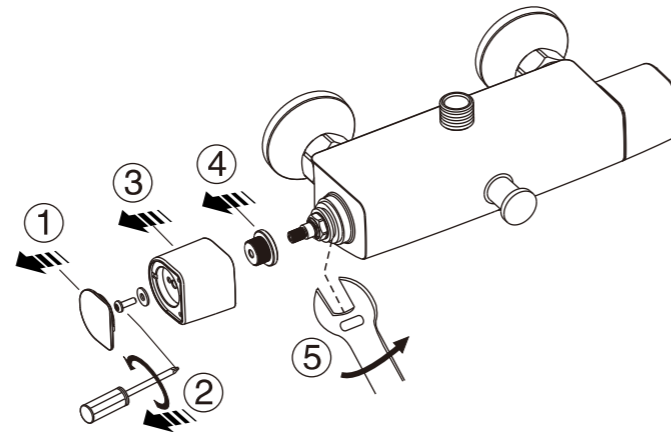
Issue	Component	Checkpoint	Corrective Action
Poor flow rate	Aerator	Check if aerator is clogged	Remove all impurities
	Water supply valve	Check knob position	Rotate knob to maximise water volume
Leakage	Cartridge	Check if cartridge is loosened	Fasten or replace cartridge
	Connection joints	Check the connection	Reassemble connecting part
Abnormal Temperature	Water supply valve	Check lever position	Rotate lever to maximise water volume
	Water supply pipeline	Check if supply pipes have been correctly connected	Connect the hot and cold water pipe correctly

Care & Maintenance

* Clogged aerator due to poor water quality can lead to reduced water flow. Follow steps below to clean aerator to ensure optimal performance.

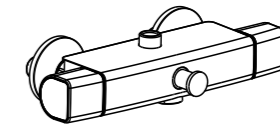


* Clogged cartridges due to poor water quality can affect product performance. Follow steps below to maintain optimal product performance.
* Note: please turn off water supply before maintenance process.

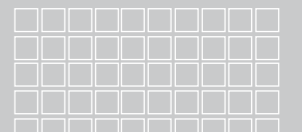


Attention:
Please leave manual with customer post installation.

- FFAS0715-604500BF0**
Neo Modern DH Exposed B&S Mixer(Chrome)
- FFAS0715-604090BF0**
Neo Modern DH Exposed B&S Mixer(white)
- FFAS0715-604500BT0**
Neo Modern DH Exposed B&S Mixer(Chrome)
- FFAS0715-604090BT0**
Neo Modern DH Exposed B&S Mixer(white)



American Standard



Installation & Operation Instructions

Thank you for selecting American Standard the benchmark of fine quality for over 100 years. To ensure that your installation proceeds smoothly, please read these instructions carefully before you begin.

- * American Standard continually improves our product design and performance and reserves the right to modify the dimension and specification of our product accordingly without any prior notification.
- * Actual dimensions and specifications may vary, refer to physical product for exact dimensions and specification.

Pre-Installation Checks

- * Remove all impurities from pipes before installation to avoid clogging. Connect faucet pipes correctly. Ensure that the cold water hose is connected to the right side and the hot water hose to the left.
- * Check installation distances shown in the dimension diagram to ensure correct installation.
- * Warning: Avoid lifting/ holding product Knob only during installation. Instead, hold product spout/ main body.

Conditions for use

- * Water pressure condition: 0.05~0.75MPa (Recommended water pressure condition: 0.1~0.5MPa)
- * Ambient temperature: 1~55°C
- * Water temperature: 4°C ~ 90°C (Recommended hot water temperature 50~60°C)
- * Steam should not be used with product.
- * Note: Ensure water source is clean. Poor water quality can cause cartridge and internal components to clog, resulting in poor volume control and/ or product failure.

Recommended Tools and Materials



Adjustable Wrench



Level

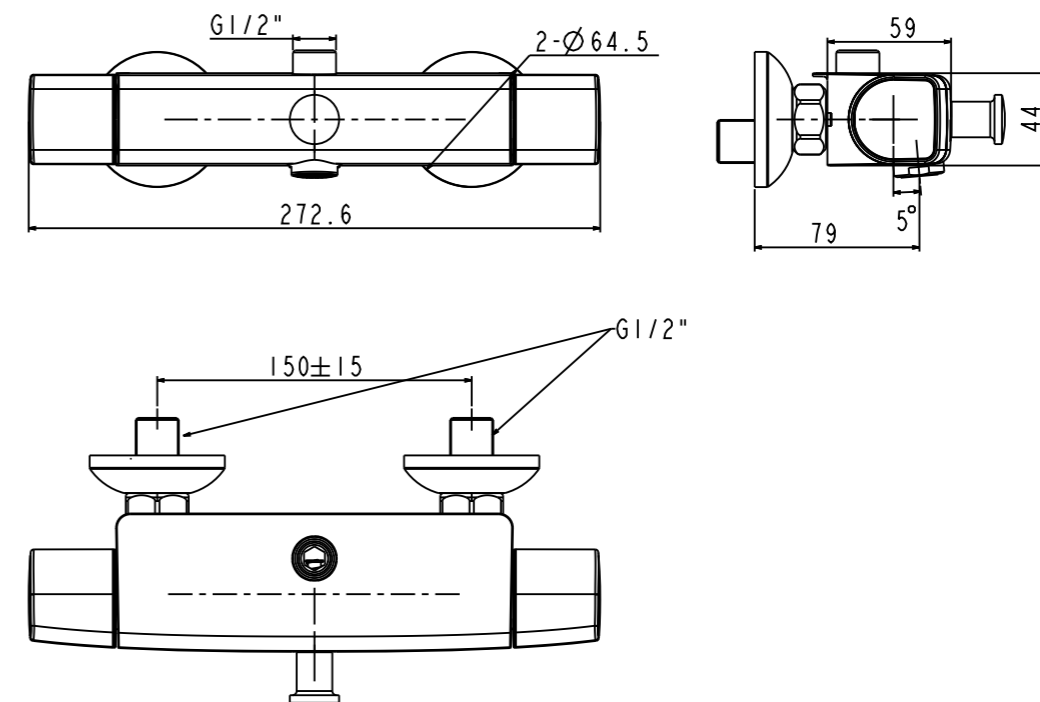


Tape Measure

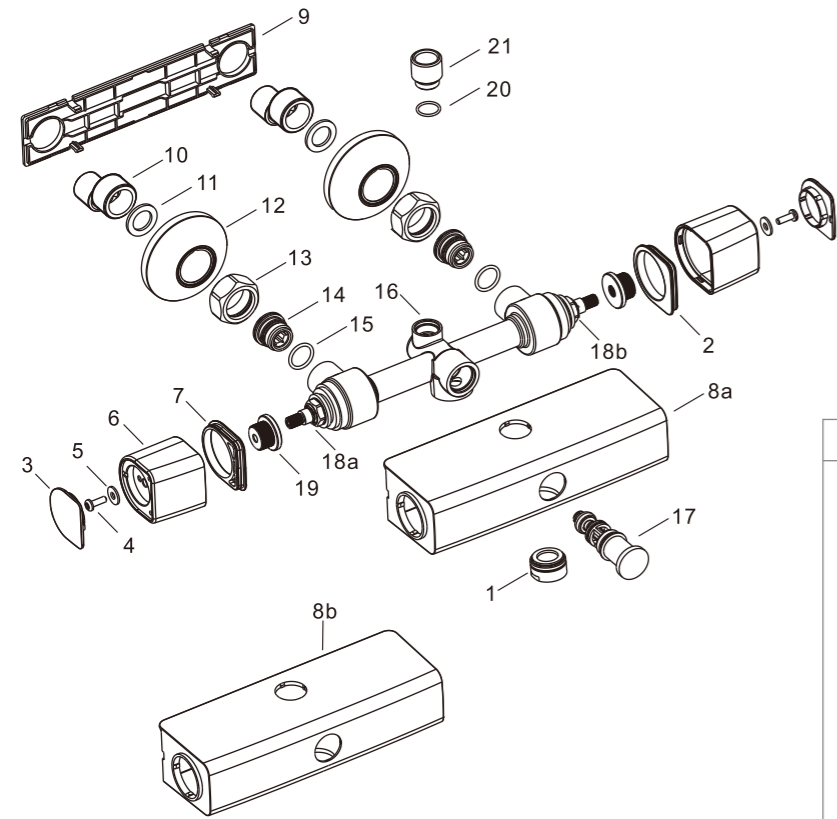


Teflon Tape

Dimension



Parts List



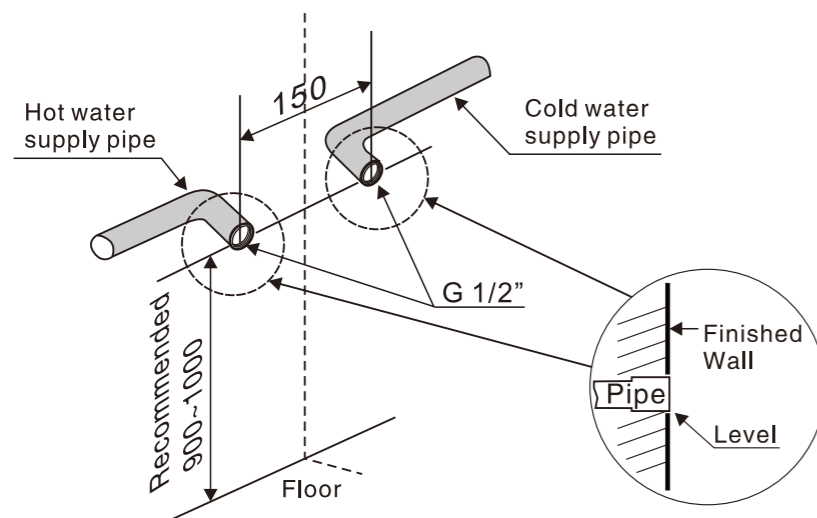
2020年7月29日

A/O

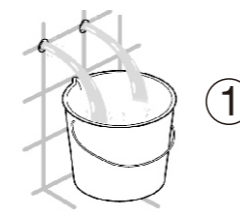
		FFAS0714- 604090BA0	FFAS0714- 604500BA0
1	FF1-CN521A00000079	1	1
2	FF1-CN521R0000399P	1	1
3	FF1-CN521F0010750P	2	2
4	FF1-CN521N00000130	2	2
5	FF1-CN521W00000022	2	2
6	FF1-CN521L0007550P	2	2
7	FF1-CN521R0000499P	1	1
8a	FF1-CN521F0010399P	1	0
8b	FF1-CN521F0010350P	0	1
9	FF1-CN521F0010499P	1	1
10	FF1-CN521J00000289	2	2
11	FF1-CN521G00000341	2	2
12	FF1-CN521F00000131	2	2
13	FF1-CN521N00000291	2	2
14	FF1-CN521W00000048	2	2
15	FF1-CN521G00000112	2	2
16	FFZZ0021-0026499MC	1	1
17	FF1-CN521X00000086	1	1
18a	FF1-CN521C0003999B	1	0
18b	FF1-CN521C0003899B	0	1
19	FF1-CN521J0020899P	2	2
20	FF1-CN521G00000113	1	1
21	FF1-CN521N0007250B	1	1

Installation

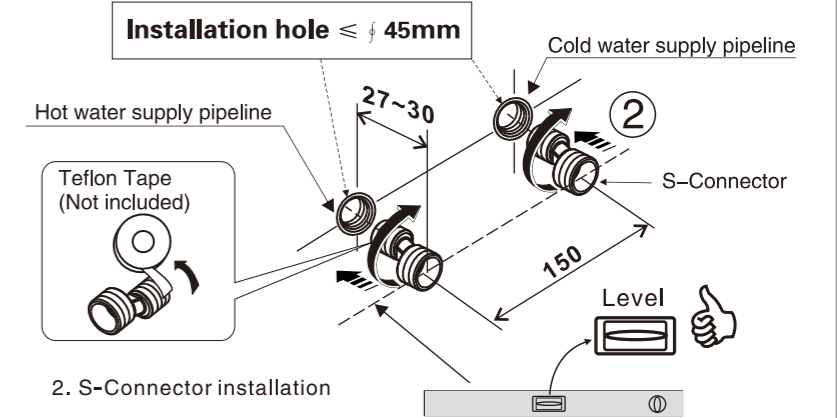
1 Preparation



2 S-Connector Installation



1. Before installation, the laying of pipeline is rinsed clean.



2. S-Connector installation

3 Faucet Installation

