

Neo-Modern DH Bath Mixer

American Standard

FFAS0715-604090BF0 – White

FFAS0715-604500BF0 - Chrome



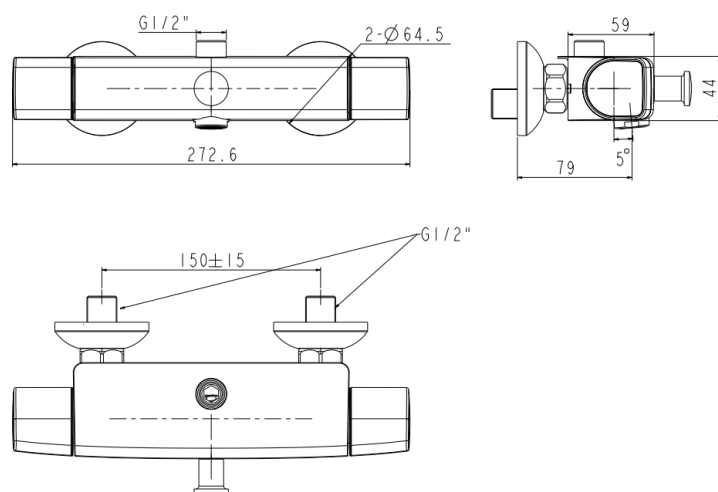
FEATURES

- A grade brass, strong and durable
- High quality and high flow ceramic valve for longer usage
- Ceramic cartridge life cycle: 500,000 times
- Automatic diverter >0.05 Mpa
Manual Locking < 0.05 Mpa
- Flow Straightener of Spout
- Cool Shield Technology with no risk of scalding
- With normal packaging
- Flow rate @ 0.1MPa: 11 L/M for spout
- Flow rate @ 0.1MPa: 10 L/M for hand shower
- Visible hot & cold indicators

SPECIFICATIONS

- Exposed Two knob mixer.
- Two-Hole Installation
- Spout Projection: 79 mm

DIMENSIONAL DRAWING



FINISHES AVAILABILITY

- Chrome Knob
- White/Chrome body Cover

AWARDS WON

- N/A

SHIPPING WEIGHT

- Product gross weight: 1.54kg /set
- Product net weight: 1.28 kg /set

STANDARDS CRITERIA

- GB 18145-2014