

## Exposed Bath & Shower Mixer FFAS0911-601500BF0



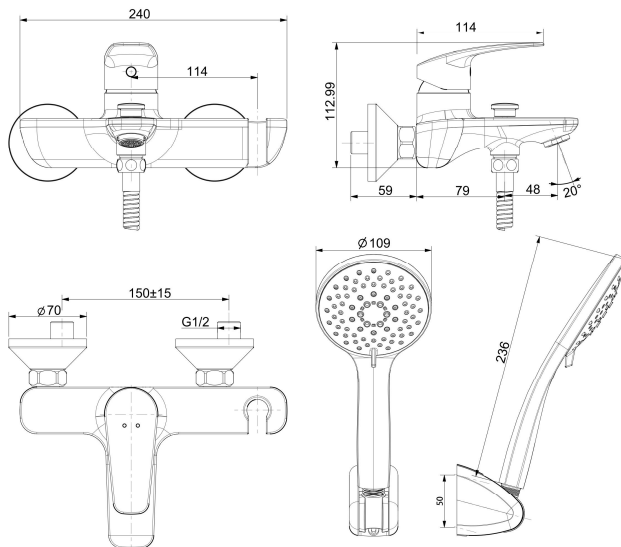
### FEATURES

- A grade brass, strong and durable
- High quality ceramic valve for longer usage
- Ceramic cartridge tested = 500,000 times
- Neoperl aerator
- 5-Functions hand shower
- With shower hose & hanger
- With normal packaging
- Flow rate @ 0.1MPa: 10.5 L/min for spout
- Flow rate @ 0.1MPa: 6.5 L/min for shower

### SPECIFICATIONS

- Exposed Bath & Shower Mixer Faucet
- 2- Hole Installation : lever handle ( cold & hot )
- Spout Reach : 170 mm

### DIMENSIONAL DRAWING



### FINISHES AVAILABILITY

- Chrome (- CP)

### AWARDS WON

- N/A

### SHIPPING WEIGHT

- Product gross weight: 3.1kg/set Product net weight: 2.8kg/set

### STANDARDS CRITERIA

- GB 18145-20