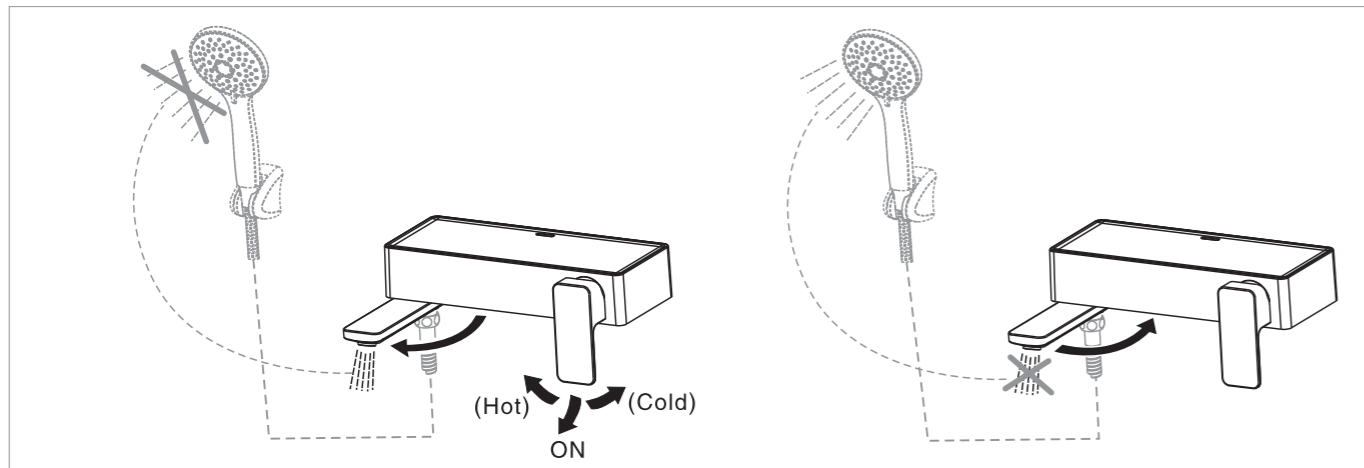


## Test / Usage

### 1 Test

- \* Move handle down into "OFF" position. Turn on supply angle valve to check all connections for leak.
- \* Operate handle up and down, left and right to flush water lines thoroughly.

### 2 Usage



## Trouble Shooting Guide

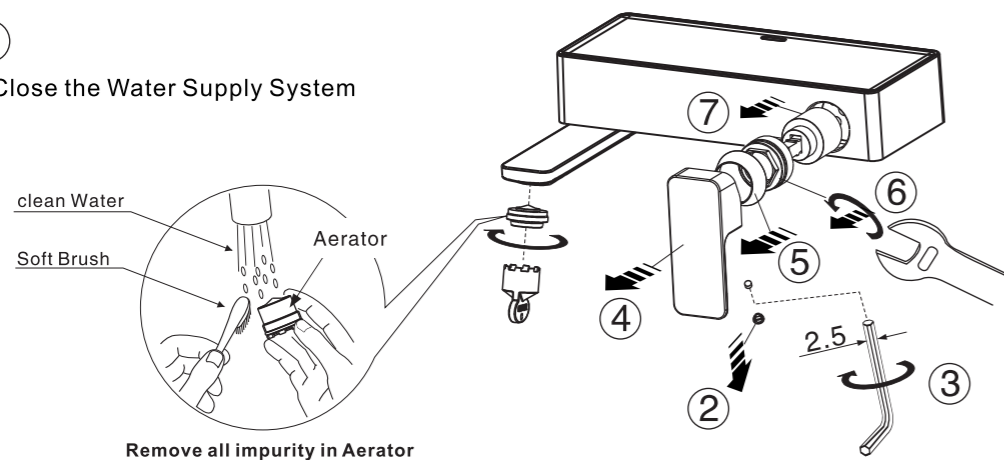
Trouble	Checkpoint	Contents	Action
Poor flow rate	Aerator	Check any impurities.	Remove all impurities.
	Water supply valve	Check valve position.	Open it to full valve
	Flexible hose	Check if hose is twisted.	Untwist the hose.
Leakage	Cartridge packing	Check cartridge install.	When packing is damaged, replace the cartridge.
	Hose junction	Check the connection.	Check the existence of packing and wind it up sufficiently
Deviant Temperature	Supply valve	Check if the water from supply valve is enough or not	Increase water supply
	Supply system	Check if the supply pipe connected correct or not	Connect the hot and cold water pipe correctly

## Care & Maintenance

\* If you want to change the parts or clean the inner of faucet, please follow the steps right to remove the parts.

①

1. Close the Water Supply System



Remove all impurity in Aerator

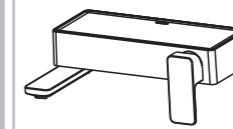


**Attention:**  
Please leave the manual to the customer after installation is finished.

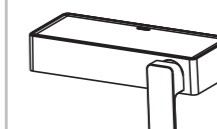
## Acacia-Evolution

FFAS1311-602500BF0 (WF-1311.602.50)  
Single Lever Exposed B&S Mixer(Without Shower Kits)

FFAS1312-702500BF0 (WF-1312.702.50)  
Single Lever Exposed Shower Only(Without Shower Kits)

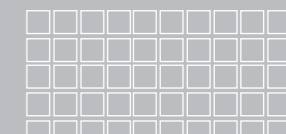


FFAS1311-602500BF0



FFAS1312-702500BF0

American Standard



Installation & Operation Instructions

**Thank you for selecting American-Standard - the benchmark of fine quality for over 100 years. To ensure that your installation proceeds smoothly--please read these instructions carefully before you begin.**

\* American Standard always keep raising and improving the product design and performance, and reserve the right to modify the dimension and specification. At this case, we will not inform you separately.

\* This installation instruction sheet is for your reference only, the dimension and specification is subject to the actual products.

All instruction procedures must comply in strict accordance with applicable local plumbing and building codes

## Pre-Installation Checks

\* Remove all impurity in pipes before beginning to avoid clogging. Connect faucet pipes correctly. Make sure the cold water hose is connected to the right side and the hot water hose to the left.

\* Check installation distances in the Dimension diagram to ensure correct installation.

### Conditions for use

\* Recommended water pressure condition: 0.1~0.5Mpa.

\* Environment Temperature:1~55℃

\* Steam is not allowed to use.

\* The cold and hot water pipes must not be reserved.

**When in the process of installation, grab the whole body. Do not grab handle only.**

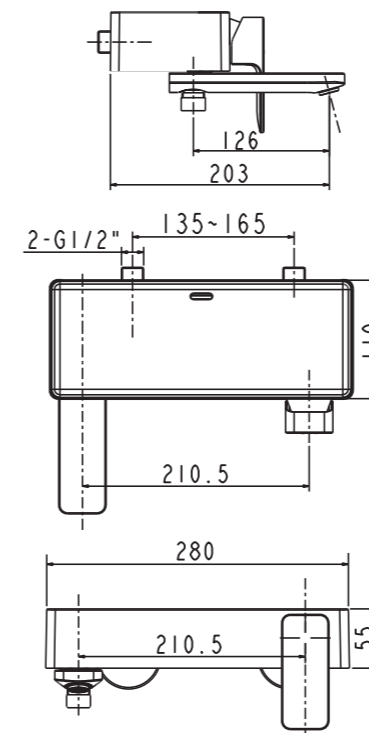
## Recommended Tools and Materials



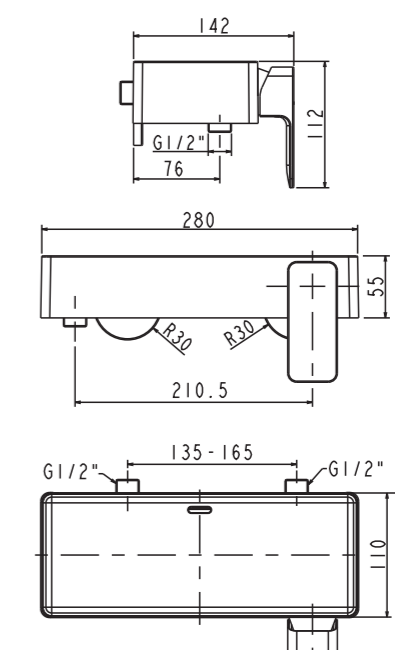
## Dimension

Unit:mm

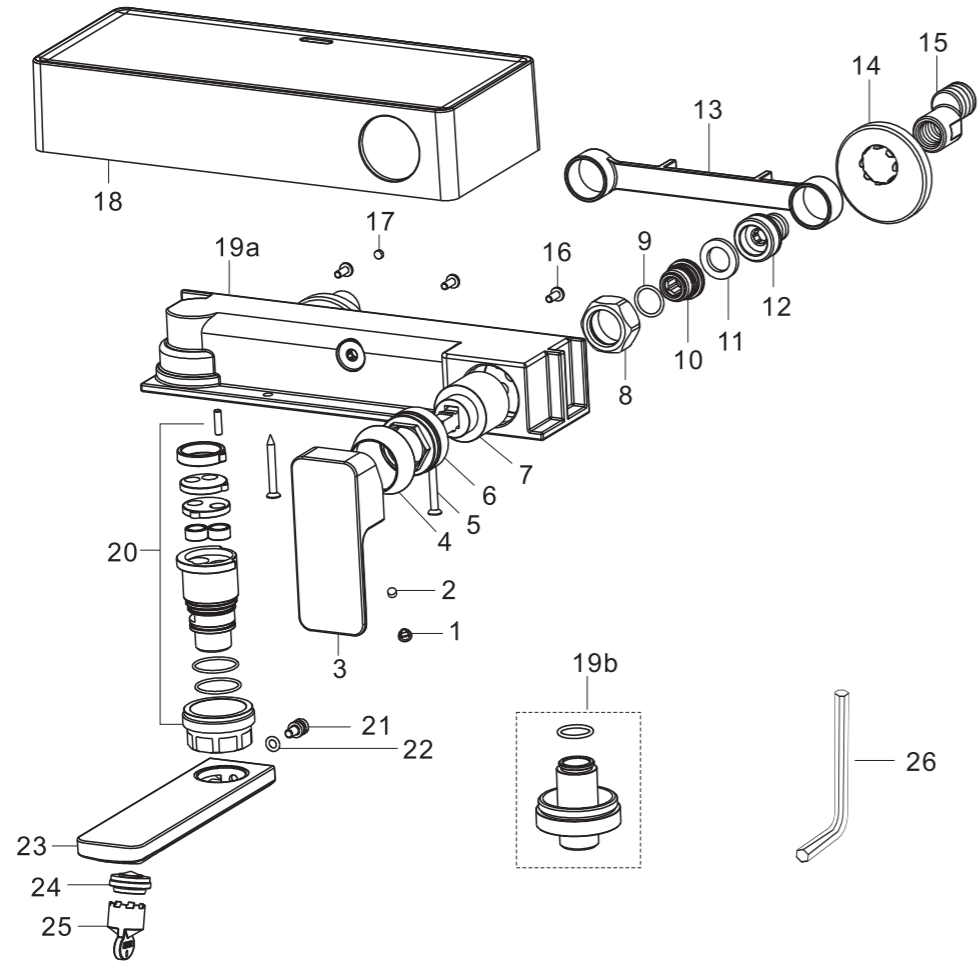
FFAS1311-602500BF0



FFAS1312-702500BF0



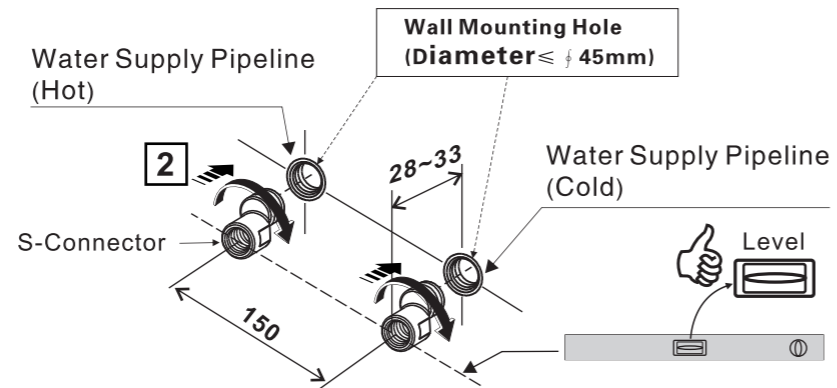
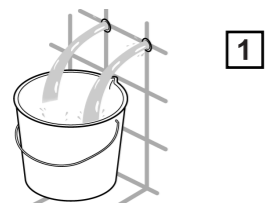
## Parts List



No.	Part Name	Q'ty		No.	Part Name	Q'ty		No.	Part Name	Q'ty	
		WF-1311 / WF-1312	WF-1311 / WF-1312			WF-1311 / WF-1312	WF-1311 / WF-1312				
1	Index Button	1	1	12	Connector	2	2	22	O-Ring	1	0
2	Screw	1	1	13	Locating plate	2	2	23	Spout	1	0
3	Handle	1	1	14	Escutcheon	2	2	24	Aerator	1	0
4	Cap	1	1	15	S-Connector	2	2	25	Aerator Wrench	1	0
5	Screw	2	2	16	Screw	2	2	26	In-hex Wrench(8.0mm)	1	1
6	Nut	1	1	17	Screw	3	3				
7	Cartridge	1	1	18	Shelf	1	1				
8	Nut	2	2	19a	Body(1311/1312)	1	1				
9	O-Ring	2	2	19b	Connector(1312)	0	1				
10	Screw	2	2	20	Diverter Valve	1	0				
11	Washer	2	2	21	Screw	1	0				

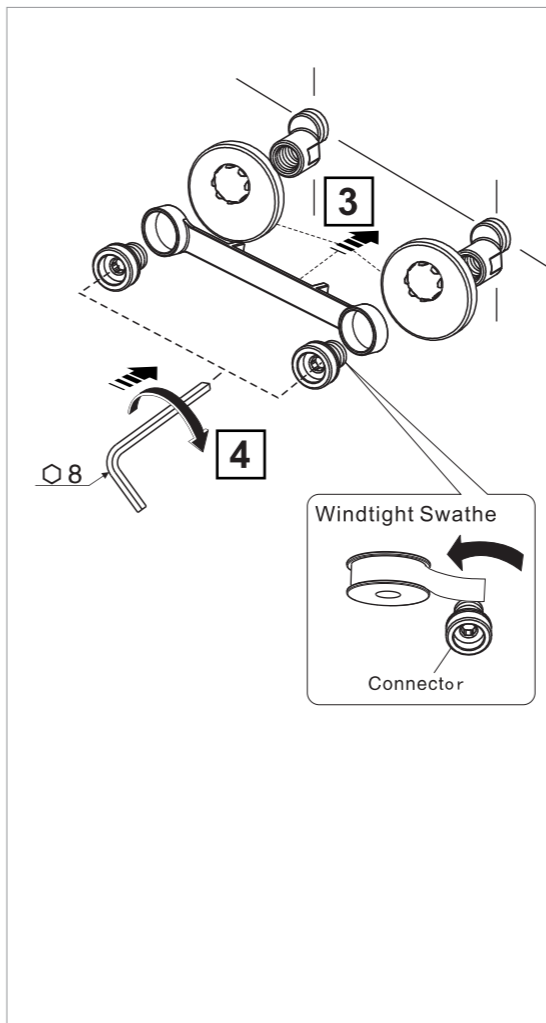
## Installation

### 1-a Installing the S-Connector

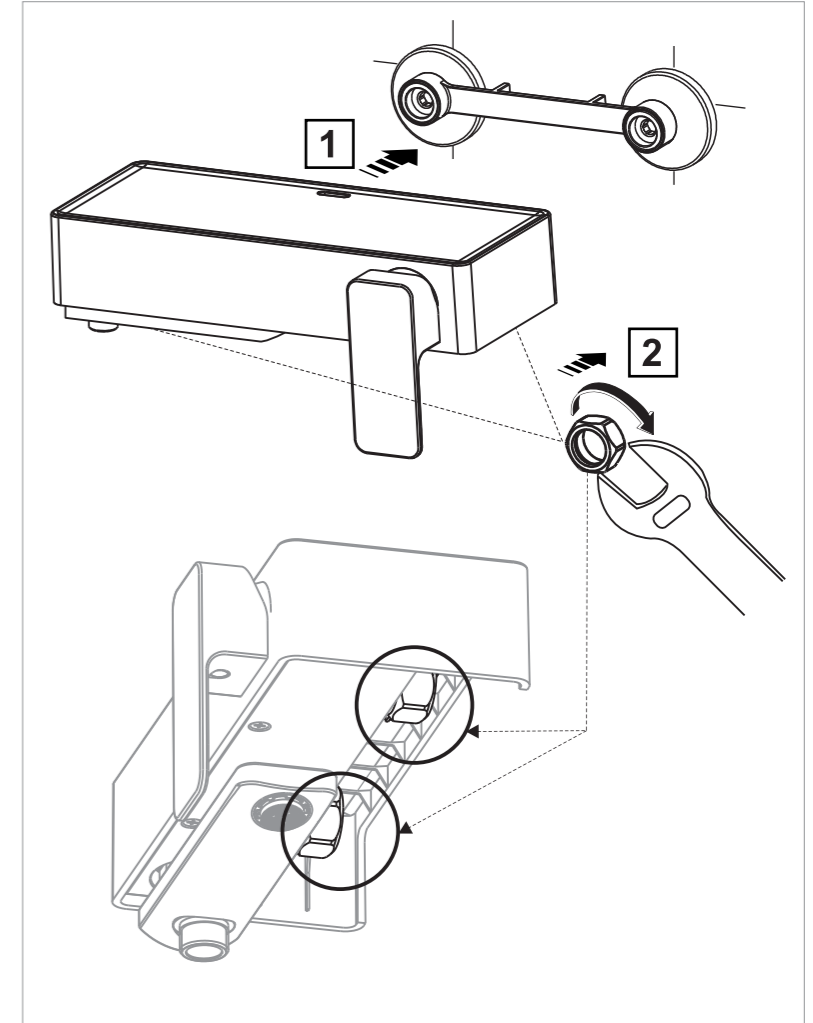


- \* Consult the dimension drawing and lay the pipes.
- \* Wash and clean the water supply pipeline.

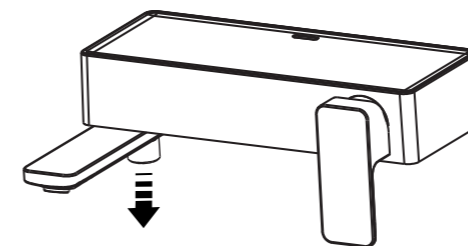
### 1-b Installing the Escutcheon and Locating Plate and Connector



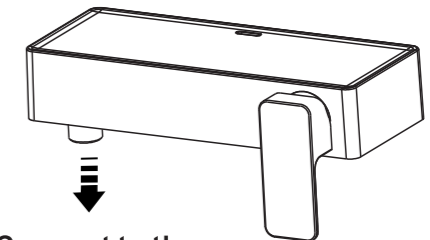
### 2 Installing the Mixer



### 3 Connect to the Hand Shower



Connect to the Hand Shower



Connect to the Hand Shower