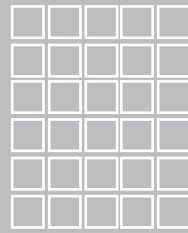


Saga

WF-1511.XXX.50
Wall-Mounted Bath & Shower Mixer
WF-1512.XXX.50
Wall-Mounted Shower Only



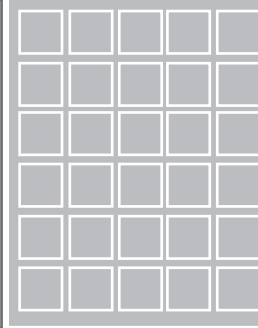
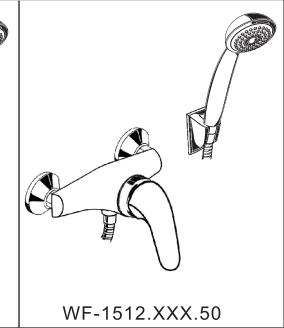
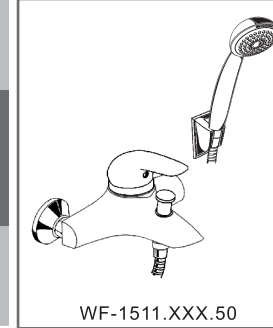
Design Solutions
by **American Standard**

Thank you for selecting American-Standard - the benchmark of fine quality for over 100 years. To ensure that your installation proceeds smoothly--please read these instructions carefully before you begin.

Saga

WF-1511.XXX.50
Wall-Mounted Bath & Shower Mixer
WF-1512.XXX.50
Wall-Mounted Shower Only

Installation & Operation Instruction



7

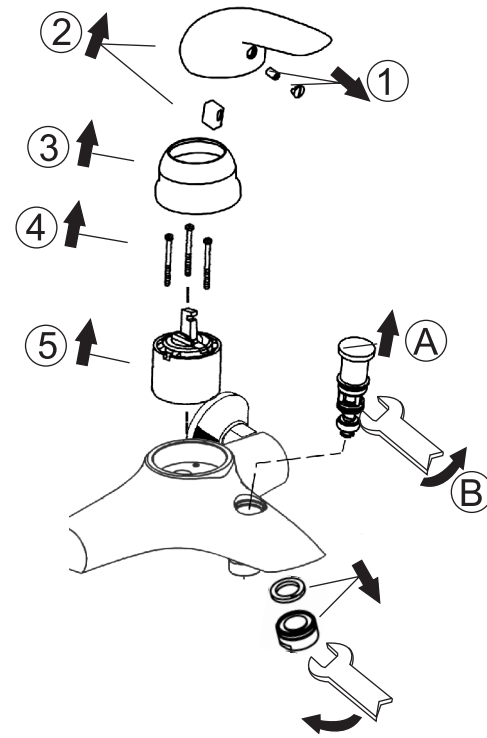
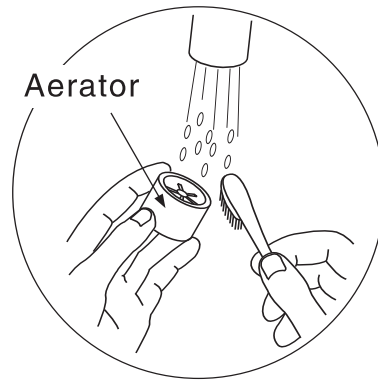
Maintenance & Repair

* AERATOR may accumulate dirt causing distorted and reduced water flow. Remove and clean AERATOR and then replace it.

* If faucet drips, operate handle several times from "off" to "on" Do not apply excessive force.

* Clogged CARTRIDGE inlets may cause reduced flow in "full on" hot or cold water. To clean inlets, first close supply water, then:

1. Close Supply Water.
2. Open up faucet. (Reference picture)
3. Clean faucet or change component.
4. Reinstall.



8

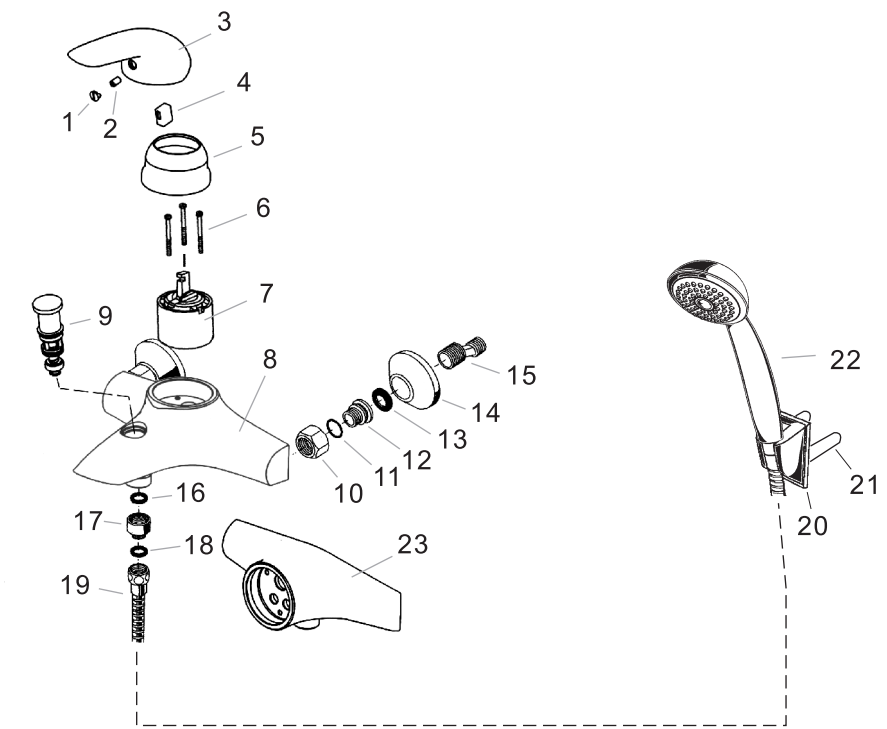
Trouble Shooting

Trouble	Checkpoint	Contents	Action
Poor flow rate	Supply valve	Check valve position.	Open it to full valve.
Leakage	Cartridge seals	Check cartridge installation.	When seal is damaged, replace it with new one.
	Pipe connection	Check the connection	Check the Vinyl Tape and Wind it up sufficiently.



Attention Installer:
Leave this information with the customer after installation is complete.

American Standard



PARTS LIST

No.	Part Name	Q'ty		No.	Part Name	Q'ty	
		WF-1511	WF-1512			WF-1511	WF-1512
1	Index Button	1	1	13	Washer	2	2
2	Screw	1	1	14	Escutcheon	2	2
3	Handle	1	1	15	S-Connector	2	2
4	Handle Bushing	1	1	16	Washer	1	1
5	Escutcheon Cap	1	1	17	Connector	1	1
6	Screw	3	3	18	Washer	1	1
7	Cartridge	1	1	19	Hose	1	1
8	Body(1511)	1	1	20	Shower Hanger	1	1
9	Diverter Valve	1	0	21	Anchor	2	2
10	Nut	2	2	22	Shower	1	1
11	O-Ring	2	2	23	Body(1512)	0	1
12	Screw	2	2				

1 Note

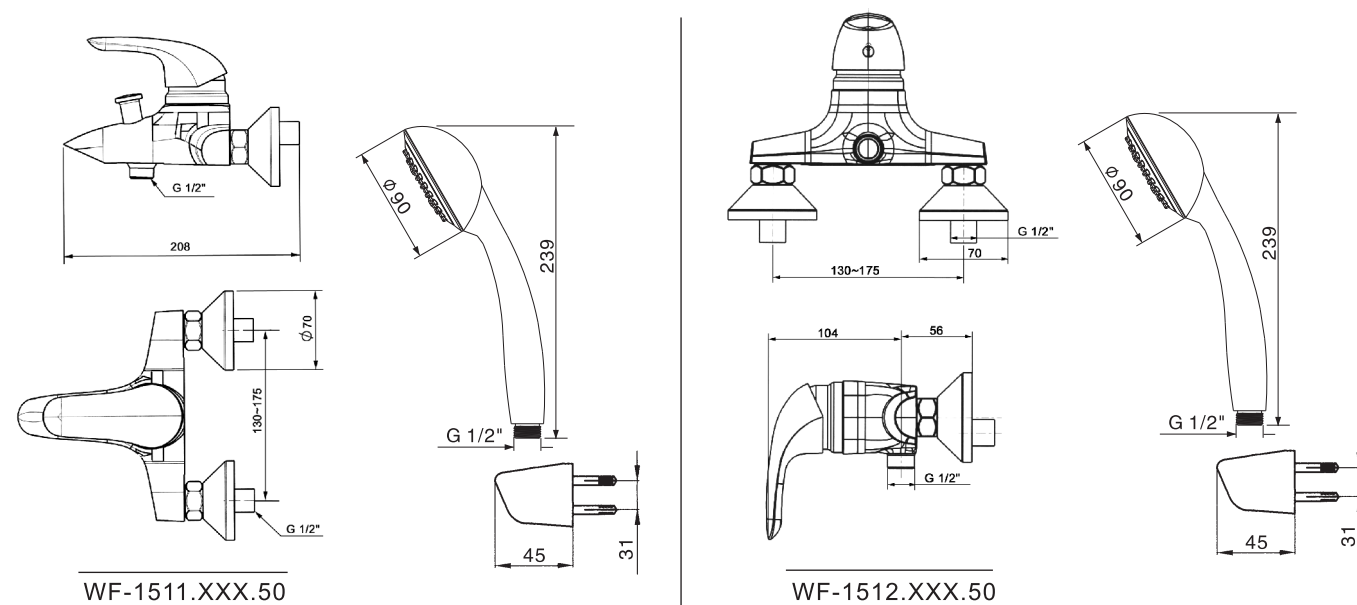
- * Remove all impurities in pipes before beginning.
- * Make sure the cold water hose is connected to the right side and the hot water hose to the left.
- * Check installation distances in the dimension diagram to ensure correct installation.

Conditions for use

- * Recommended water pressure condition: 0.1~0.5Mpa.
- * Environment Temperature: 1~55°C
- * Not for use as a steam outlet.
- * The cold and hot water pipes must not be changed.

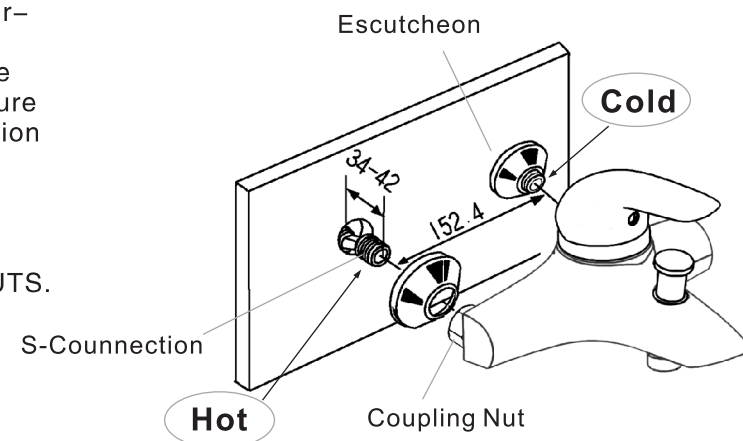
**When in the process of installation, grab the whole body.
Do not grab handle only.**

2 Dimension



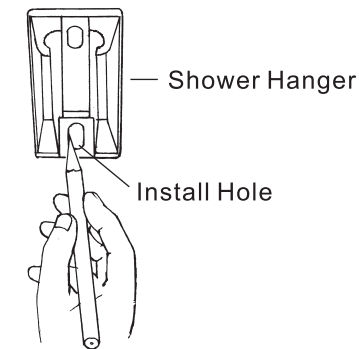
3 Install Faucet

- * Connect S-CONNECTORS and G1/2" water-supply pipe inside wall. The HOT water pipe should be connected to the LEFT side and the COLD water pipe to the RIGHT side. Make sure two S-CONNECTORS are in horizontal position and their space meets the dimension in the drawing.
- * Install ESCUTCHEONS and FILTERED WASHERS, then connect faucet and S-CONNECTORS by tightening COUPLING NUTS.

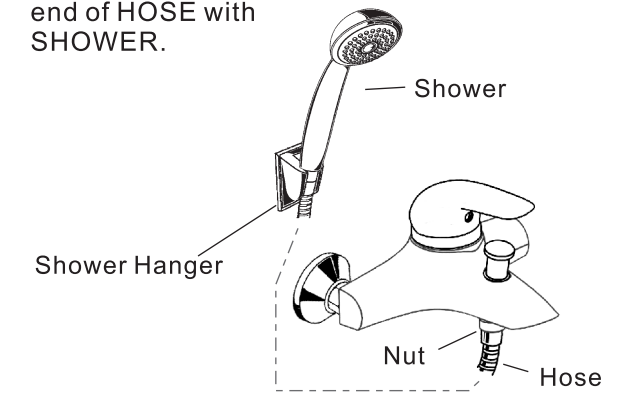


4 Hanger Installation / Connect Hose

- * Fix HANGER on the apposite position on wall, then make a mark with pencil.
- * Drill on the mark, insert ANCHOR and then fix HANGER with screw.



- * Put WASHER in the nut of HOSE to connect BODY and then another end of HOSE with SHOWER.



5 Test

- * Move handle down into "off" position. Turn on water supply and check connections for leakage.
- * Operate handle up and down, left and right to flush water lines thoroughly.

6 Usage

