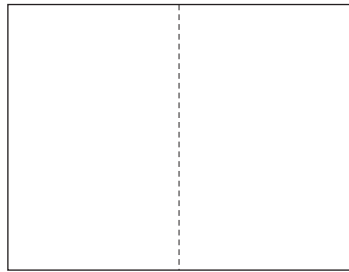
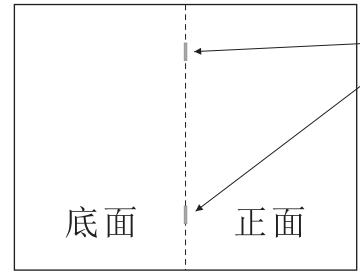


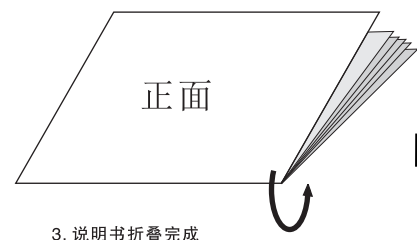
Tolerance, Unless Otherwise Stated. Is	
Above 0.5 to and including 6	±0.1
Excess 6 to and including 30	±0.2
Excess 30 to and including 120	±0.3
Excess 120 to and including 315	±0.5
Excess 315 to and including 1000	±0.8
Excess 1000 to and including 2000	±1.2



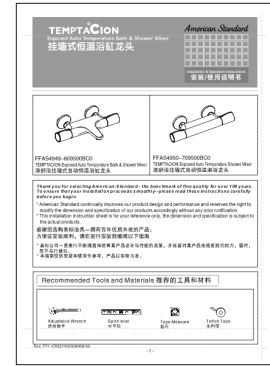
1. 说明书双面印刷完成 (297*210=A4) 共2张



2. 排序好页面, 并装订



3. 说明书折叠完成



说明书完成效果(148x210=A5)

制作说明:

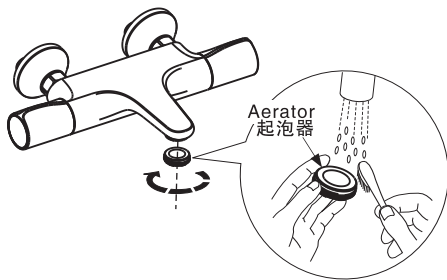
1. 说明书完成的尺寸: 148*210 (A5)
2. 材料: 80克的白色纸
3. 印刷说明: 说明书为297*210(A4) 双面印刷, 并折叠成A5大小装订完成(详看图示)
4. 印刷颜色: 黑白
5. 印刷时, 内容准确, 清晰, 墨色均匀, 表面清洁。

				DESIGN	黄卓桓	2018.02.26	TITLE	Instructions	
				CHECKED			REF	FFAS4949-609500BC0 中英文说明书 添舒浴挂墙式自动恒温浴缸龙头	
				APPROVED				FFAS4950-709500BC0 添舒浴挂墙式自动恒温淋浴龙头	
				SCALE	MATERIAL	WEIGHT	DWG NO.		
REV	DESCRIPTION	DATE	NAME				FF1-CN521K00306999		

4 Cleaning the Aerator 清洗起泡器

* Aerator may accumulate dirt causing distorted and reduced water flow. Remove and clean Aerator and then replace it.

* 起泡器在长时间使用后会有污垢聚集而影响出水效果，此时应旋出起泡器，用清水清洗干净，重新装回并测试出水效果。

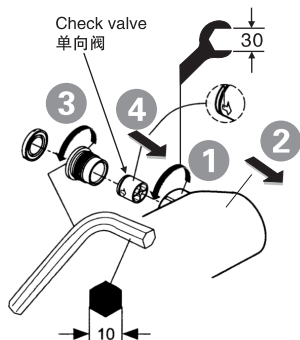


5 Cleaning and Replacement of the Check valve 单向阀的清洗和更换

* The check valve should be cleaned periodically to prevent any accumulation of dirt which may lead to leakages.

* Simply follow the steps below and rinse with clean water to clean/replace your check valve.

* 单向阀在长时间使用后，会有污垢聚集造成异物卡住而引不止水，此时要进行清洗才可以正常使用；如需清洗或更换单向阀，请参考下图步骤把单向阀取出，用清水清洗干净或更换后，重新装回。



Troubleshooting Guide 一般故障排除指南

Issue	Component	Checkpoint	Corrective Action
Low Water Flow	Aerator	Check if there is impurities or not	Remove all impurities
	Supply Valve	Check if the Supply Valve is enough or not	Open it to full Supply valve
Leakage	Cartridge	Check if the Cartridge is disentangle or not	Tighten the Cartridge
	Connection	Check if the Connection is with Washer or not	Add the Washer
Inconsistent Temperature	Supply Valve	Check if the Supply Valve is enough or not	Open it to full Supply valve
	Supply Pipes	Check if the Cole/Hot Supply Pipes Connected Correct or not	Connect the hot and cold supply pipes correctly
	Temperature Control Handle	If the temperature control handle setting is not correct	Please refer to "Adjustment of Temperature handle" to readjust it.

故障	检查点	内容	处理办法
流量小	起泡器	检查是否有杂质	清除杂质
	供水阀	检查供水阀是否开得太小	开大供水阀
漏水	阀芯	检查阀芯是否被松开	紧固好阀芯
	各连接处	检查连接处是否未加垫片或垫片已损坏	加装垫片或更换新的垫片
不正常水温	供水阀	检查供水阀是否开得太小	开大供水阀
	供水管路	检查冷、热进水管是否连接正确	正确连接冷热供水管
	温控把手	检查温控把手是否调节正确	参考“温控把手的调节”，重新试调



Attention:
Please leave manual with customer post installation.

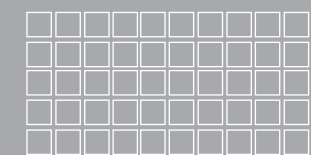
安装者注意:
安装完成后，请将此说明书留给用户。

TEMPTACION

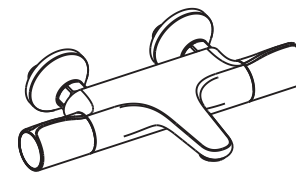
Exposed Auto Temperature Bath & Shower Mixer

挂墙式恒温浴缸龙头

American Standard

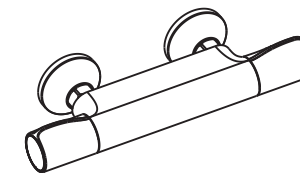


Installation & Operation Instructions
安装/使用说明



FFAS4949-609500BC0

TEMPTACION Exposed Auto Temperature Bath & Shower Mixer
添舒浴挂墙式自动恒温浴缸龙头



FFAS4950-709500BC0

TEMPTACION Exposed Auto Temperature Shower Mixer
添舒浴挂墙式自动恒温淋浴龙头

Thank you for selecting American-Standard - the benchmark of fine quality for over 100 years. To ensure that your installation proceeds smoothly--please read these instructions carefully before you begin.

* American Standard continually improves our product design and performance and reserves the right to modify the dimension and specification of our products accordingly without any prior notification.

* This installation instruction sheet is for your reference only, the dimension and specification is subject to the actual products.

感谢您选购美标洁具—拥有百年优质水准的产品；
为保证安装顺利，请在进行安装前细阅以下指南

* 美标公司一贯奉行不断提高和改善其产品设计与性能的政策，并保留对其产品规格更改的权力，届时，恕不另行通知。

* 本指南仅供安装和使用作参考，产品以实物为准。

Recommended Tools and Materials 推荐的工具和材料



Adjustable Wrench
活动扳手



Spirit level
水平仪



Tape Measure
卷尺



Teflon Tape
生料带

Pre-Installation Checks 安装前注意事项

* Remove all the impurity in pipes before installation to avoid clogging. Connect faucet pipes correctly. Make sure the cold water hose is connected to the right side and the hot water hose to the left. Check installation distances from the Dimension diagram to ensure correct installation.

Conditions for use

1. Recommended water pressure condition: 0.1-0.5MPa (For optimal performance and product longevity, we recommend adding a pressure reducing valve when water pressure exceeds 0.5MPa. Difference in pressure between hot and cold water should not exceed 0.2MPa.).
2. Water: Cold Water 4°C ~ 29°C; Hot Water 45°C ~ 85°C;
Recommended Hot Water Temperature 50°C ~ 75°C.
3. Ambient Temperature: 1~55°C
4. Municipal water quality is required. it is easy to plug Cartridge and cause bad temperature sensitivity with poor water quality, if one-way valve is blocked, it will cause the hot and cold water pipe mixed.

Attention

Please ensure that the hot water supply source is stable. Electric water storage heaters are ideal for use with Temptation Auto Temperature Mixer for optimal performance.

Common issues that may arise when hot water is supplied by gas and/or solar water heaters are as follows:

Common Gas Water Heater Issue(s)

1. Every water heater has a minimum operational starting pressure (flow). When the lowest flow is selected with the mixer, the minimum operational starting pressure of the gas water heater may not be achieved and therefore, the gas heater will not function. When the residual hot water in the pipeline is discharged, the gas heater starts up, reheating the water. This repeated cycle results in an unstable hot water supply and inconsistent temperature delivery.

Solution:

- 1a. Set the water temperature of the water heater to 5°C higher than the thermostatic faucet (adjust with multiple manual knob, set the temperature knob in the lower position, and then use the knob to adjust the temperature of fire) the demand of hot water becomes larger in order to achieve the starting flow of the water heater. Recommended value: Summer: 45~50°C; winter 50~55°C.
- 1b. Set the water thermostatic faucet to full flow (half open water switch need to press the switch to rotate) you can also remove the limiting plug in the shower so that the water can become large to achieve the start flow of water heater.

Common Solar Water Heater Issue(s)

2. As the solar water heater is not pressurized, hot water flows from to the mixer as a result of gravity. When the pressure from the cold water supply exceeds that of the hot water supply by 0.2MPa, hot water supply into the mixer is disrupted, resulting in inconsistent temperature delivery.

Solution:

- 2a. Add a pressure booster pump to the solar water heater so that the pressure of cold and hot water can be balanced. Push and save the pressurized water pressure: 0.3MPa.
- 2b. To add a pressure reducing valve on the cold water supply will also make the cold and hot water supply pressure balanced. When the water supply pressure exceeds 0.5MPa, the pressure relief valve is required.
Recommended water pressure: 0.1-0.5MPa, hot and cold water pressure difference: less than 0.2MPa

* 安装水嘴之前, 请务必清理管中杂物, 以免造成堵塞; 水嘴与冷、热水管必须连接正确; 参考尺寸图, 检查安装尺寸, 确保安装正确。

使用条件:

1. 水压 (动态): 0.1MPa~0.5MPa (超过0.5MPa时, 需要加装减压阀, 同时冷热水压力差不超过0.2MPa)。
2. 使用温度: 冷水温度4°C~29°C; 热水温度45°C~85°C, 建议正常使用温度为50°C~75°C。
3. 环境温度1°C~55°C。
4. 使用水质应符合国家市政供水要求, 如果水质太差, 容易堵塞阀芯, 造成调温灵敏度差, 如果堵塞单向阀, 会造成冷热水管路互串。

注意事项:

* 恒温水嘴需匹配合适的水源, 对热水源的选择, 尽量选用稳定的热水供应源, 家庭使用的热水源推荐首选储热式电热水器; 如选用燃气式或太阳能热水器时, 可能会出现下面的情况, 请谨慎选择。

1. 燃气式热水器供水, 每种热水器都有一个最低启动压力(流量), 当我们开启恒温水嘴流量较小时, 需要的水流量达不到热水器的最低启动流量时, 热水器就会保护熄火。当管路中的热水排完后, 热水器又会重新启动, 反复循环, 这时热水供给就不稳定, 从而导致恒温水嘴出水忽冷忽热。

解决方法:

- 1a. 调低热水器的出水温度, 比恒温水嘴设定恒温高出5°C即可, (用多个手动旋钮调节的, 将温度旋钮尽量设在偏低位置, 再使用火力旋钮调节温度)使热水的用量需求变大, 以达到热水器的启动流量。推荐值: 夏天: 45~50°C; 冬天50~55°C。
- 1b. 将恒温水嘴的出水调到全流(有半开节水开关的, 要按下节水开关转动), 有的配用的花洒内部有限流塞, 可将限流塞取出, 使出水流量变大, 以达到热水器的启动流量。

2. 太阳能热水器供水, 太阳能供水时, 热水储水罐内没有压力, 热水是从储水罐内靠自重流向恒温水嘴, 当冷水供水压力超过热水供水压力0.2MPa, 就会向热水器逆向供水, 导致热水出不来, 这时恒温水嘴出水就会出现忽冷忽热现象。

解决方法:

- 2a. 给太阳能供水加一个增压泵, 使冷热水供水压力达到平衡。推荐加压后水压: 0.3MPa。
- 2b. 给冷水供水配减压阀, 同样目的使冷热水供水压力达到平衡。当供水压力超过0.5MPa需要配置减压阀。
推荐供水水压: 0.1~0.5MPa, 冷热水压力差: ≤0.2MPa。

Care & Maintenance 维护与保养

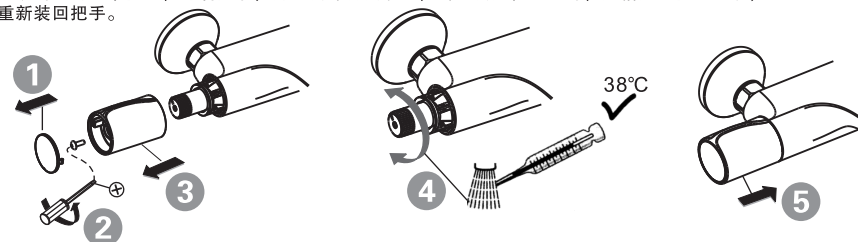
1 Adjust Temperature Selection Handle 温控把手调节

* The temperature selection handle has been calibrated before shipping and generally does not require recalibration
* Should you wish to recalibrate the temperature setting, please follow the steps below:

1. Remove handle cap.
2. Remove the screw.
3. Slide out the loosened handle.
4. Adjust the exposed auto temperature valve until 38°C is registered on your thermometer.
5. Reinstall the handle.

* 温控把手在出厂已经调试好, 可以正常使用, 一般情况下不建议用户进行调试。
* 用户如需进行调试, 可参考下面步骤进行调节:

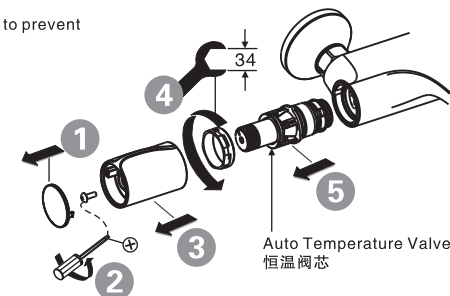
1. 用一字螺丝刀小心撬出装饰盖;
2. 用十字螺丝刀旋出螺丝;
3. 取出把手;
4. 旋动阀芯到一个位置, 开启热水, 用温度计测试水温, 当温度定在38°C时, 定格把手位置不动;
5. 重新装回把手。



2 Cleaning and Replacement of the Auto Temperature valve 恒温阀芯的清洗和更换

* The auto temperature valve should be cleaned periodically to prevent any accumulation of dirt which may lead to leakages. Simply follow the steps below and rinse with clean water to clean/ replace your auto temperature valve.

* 恒温阀芯在在长时间使用后, 会有污垢聚集造成堵塞而引起出水不良, 此时要进行清洗才可以正常使用; 如需清洗或更换阀芯, 请参考右面步骤取出阀芯, 用清水冲洗干净或更换后, 重新装回恒温阀芯。



3 Cleaning and Replacement of the Diverter 切换阀芯的清洗和更换

* The diverter should be cleaned periodically to prevent any accumulation of dirt which may lead to leakages. Simply follow the steps below and rinse with clean water to clean/ replace your diverter.

* 切换阀芯在长时间使用后, 会有污垢聚集造成堵塞而引起出水不良, 此时要进行清洗才可以正常使用; 如需清洗或更换阀芯, 请参考右面步骤取出阀芯, 用清水冲洗干净或更换后, 重新装回切换阀。



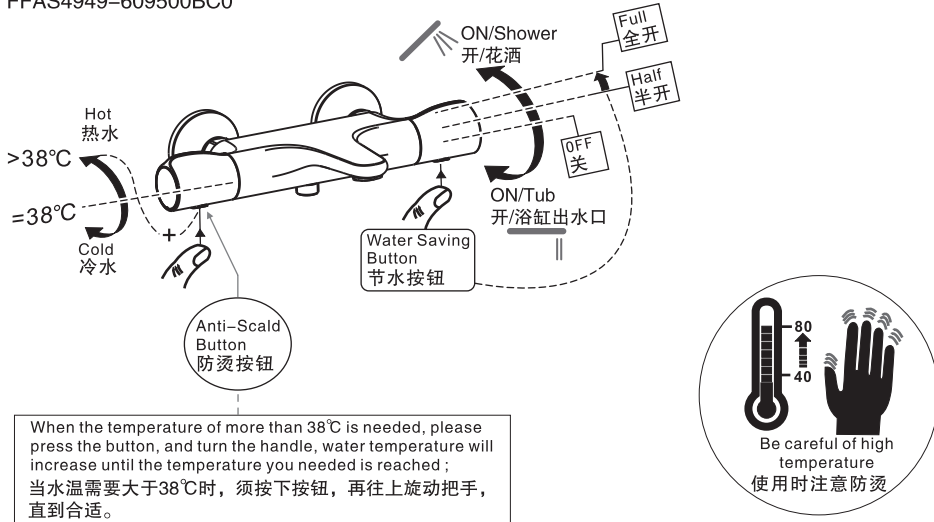
Test / Usage 测试/使用

1 Test 测试

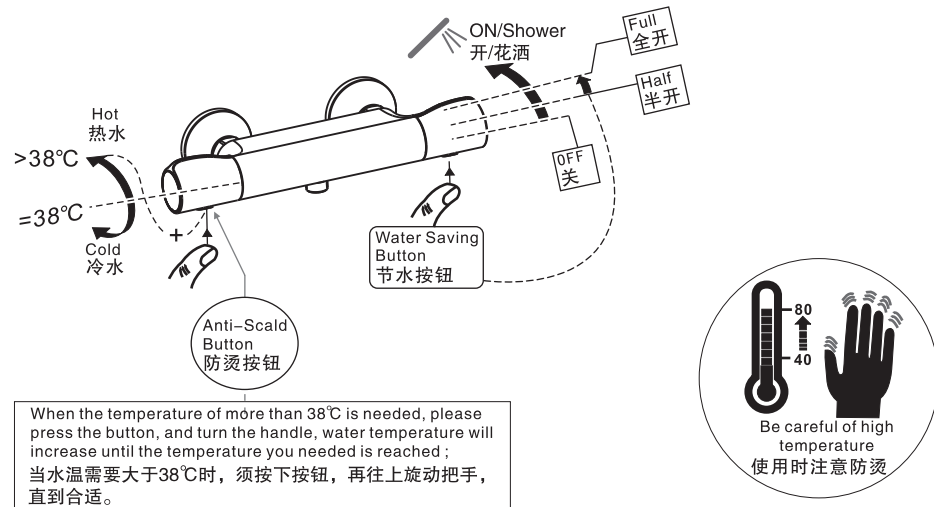
- * Turn handle to "OFF" position. Open water supply valve to check all connections for leakage;
- * Turn handle to "ON" position. Check the water flow.
- * 将把手处在关的位置，开启供水并检查各连接是否有渗漏；
- * 打开把手，检查出水是否正常。

2 Usage 使用

FFAS4949-609500BC0



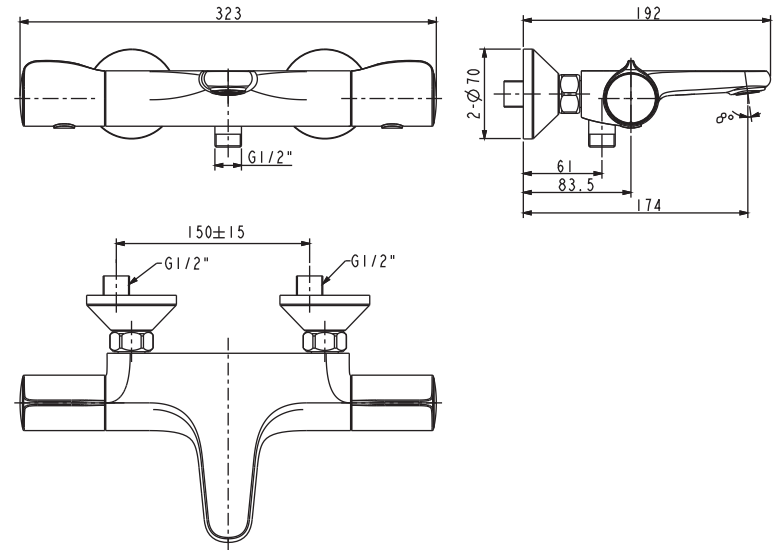
FFAS4950-709500BC0



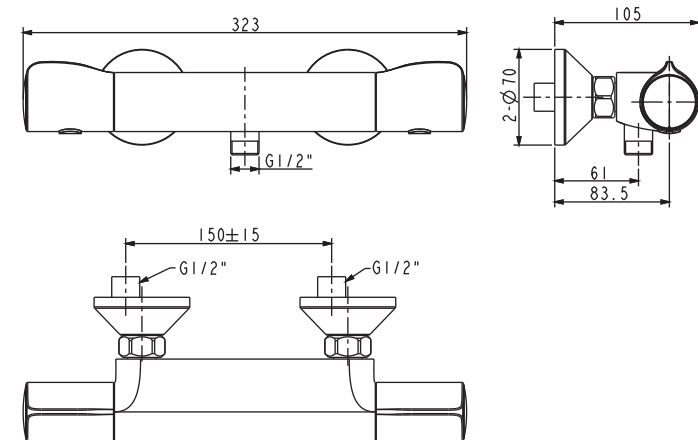
Dimension 基本尺寸

Unit: mm
单位: 毫米

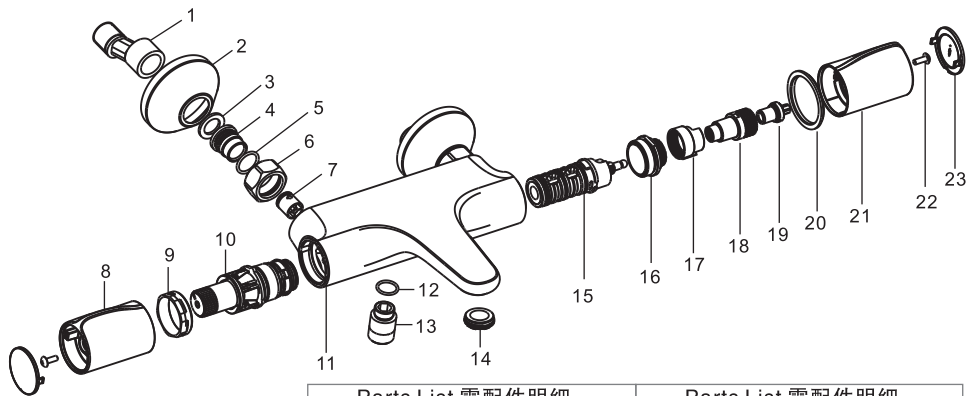
FFAS4949-609500BC0



FFAS4950-709500BC0

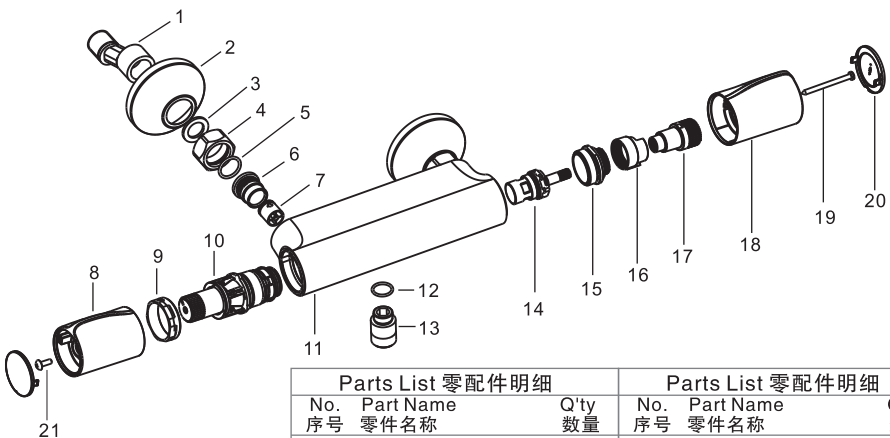


Parts List 零件明细



Parts List 零配件明细			Parts List 零配件明细		
No. 序号	Part Name 零件名称	Q'ty 数量	No. 序号	Part Name 零件名称	Q'ty 数量
1	S-connector S型接管	2	13	Connector 接头	1
2	Escutcheon 孔罩	2	14	Aerator 起泡器	1
3	Washer 垫片	2	15	Diverter 切换阀	1
4	Connector 接头	2	16	Nut 螺母	1
5	O-Ring O环	2	17	Adjuster for flow rate 限流片	1
6	Nut 螺母	2	18	Adaptor 适配器	1
7	Check valve 单向阀	2	19	Screw 螺丝	1
8	Handle 把手	1	20	Washer 垫片	1
9	Nut 螺母	1	21	Handle 把手	1
10	Thermostatic valve 恒温阀	1	22	Screw 螺丝	2
11	Body 本体	1	23	Handle cover 把手盖	2
12	O-Ring O环	1			

FFAS4949-609500BC0

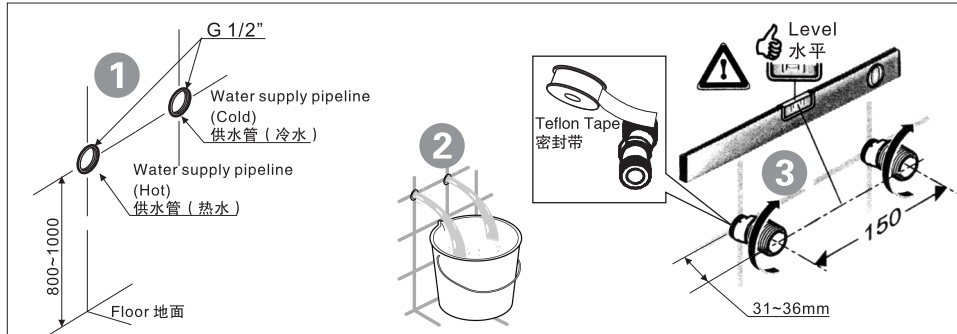


Parts List 零配件明细			Parts List 零配件明细		
No. 序号	Part Name 零件名称	Q'ty 数量	No. 序号	Part Name 零件名称	Q'ty 数量
1	S-connector S型接管	2	12	O-Ring O环	1
2	Escutcheon 孔罩	2	13	Connector 接头	1
3	Washer 垫片	2	14	Diverter 切换阀	1
4	Connector 接头	2	15	Nut 螺母	1
5	O-Ring O环	2	16	Adjuster for flow rate 限流片	1
6	Nut 螺母	2	17	Adaptor 适配器	1
7	Check valve 单向阀	2	18	Handle 把手	1
8	Handle 把手	1	19	Screw 螺丝	1
9	Nut 螺母	1	20	Handle cover 把手盖	2
10	Thermostatic valve 恒温阀	1	21	Screw 螺丝	1
11	Body 本体				

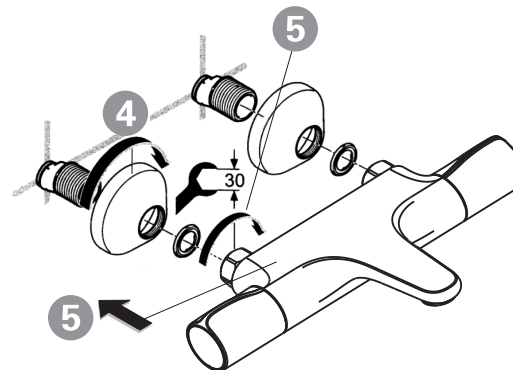
FFAS4950-709500BC0

Installation 安装部分

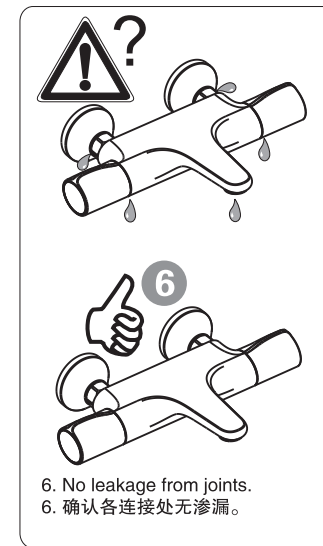
1 Install Faucet 安装水嘴



1. Lay cold & hot supply pipes based on dimension drawing.
1. 参考尺寸图, 铺设冷、热供水管路。
2. Clean the water supply pipes.
2. 将铺设的管路冲洗干净。
3. Install S-Connector.
3. 安装“S形接管”。

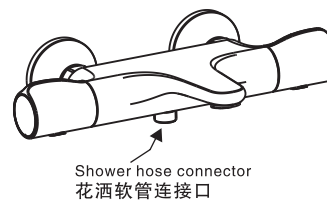


4. Screw in the escutcheon to S-connector.
4. 将孔罩旋入“S形接管”。
5. Connect the Faucet to S-connector.
5. 将水嘴连接到“S形接管”。

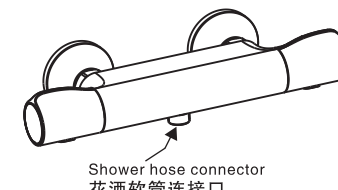


6. No leakage from joints.
6. 确认各连接处无渗漏。

2 Connect shower 连接花洒



Shower hose connector
花洒软管连接口



Shower hose connector
花洒软管连接口