

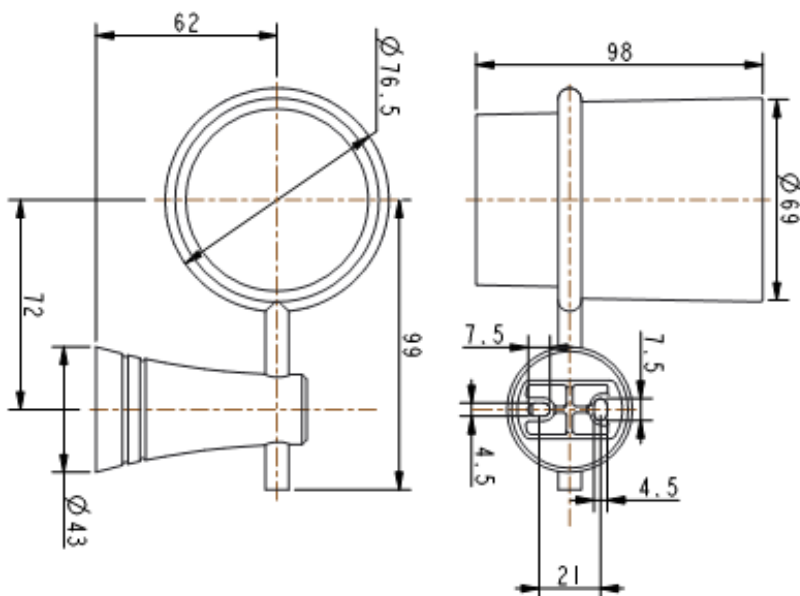
Seva

FFAS6583-908500BF0

Cup Holder



DIMENSIONAL DRAWING



STANDARD SPECIFICATION

- Simple design
- Chromium plating for durable finish
- Zinc Die Casting Base & Pole
- Acrylic Cup
- SUS304 Screw
- Color Box Packing
- Load-bearing: 3kg

PRODUCT WEIGHT

- 0.4 Kg

APPLICABLE CODES & STANDARDS:

- QB/T 1560-2006