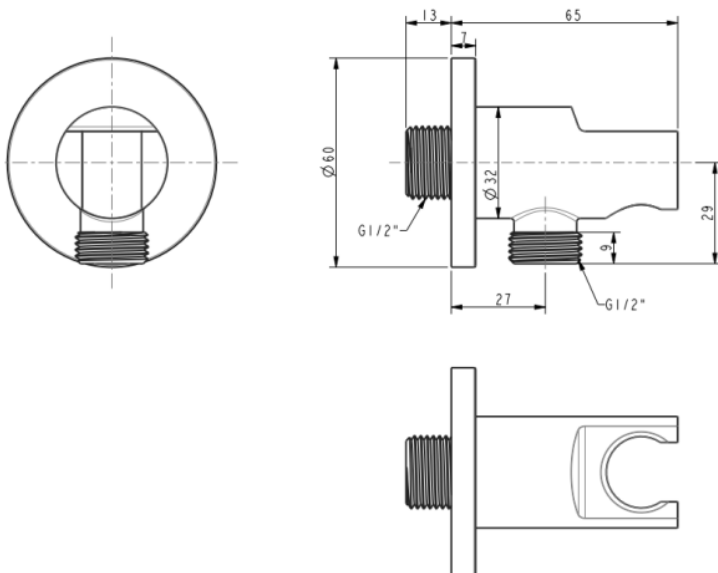


Wall Outlet with holder– Round (G1/2")

FFAS9141-000500BC0



DIMENSIONAL DRAWING



FEATURES

- Brass body, chrome plated
- Brass escutcheon, chrome plated
- With normal packaging

SPECIFICATIONS

- G1/2" for inlet and outlet

FINISHES AVAILABILITY

- Chrome (- CP)

AWARDS WON

- N/A

SHIPPING WEIGHT

- Product weight: 0.3 kg

STANDARDS CRITERIA

- GB 18145-2014