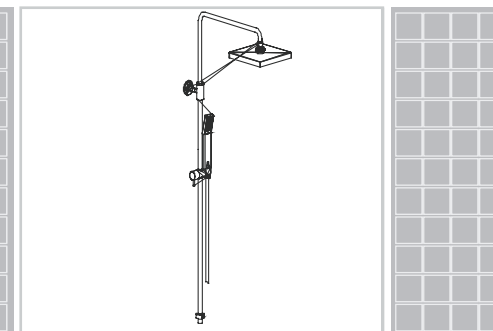


A-6110-978-906
 FFAS9072-000500BC0 (CF-9072.000.50)

Moonshadow Rainshower System D20S-6L

Installation & Operation Instruction



5. DIRECTION FOR USE.

1 Diverter valve

- The diverter valve controls the shower head and hand shower.
- Pull up the diverter valve handle, the water sprays from hand shower will work.
- Press down the diverter valve handle, the water sprays from shower head will work

2 Turn the control pole of slider (10), adjust the height of the slider to meet your demand.

Warning : When you are showering, please turn on the cold water at first, which can avoid burning accident especially to children and the elder.

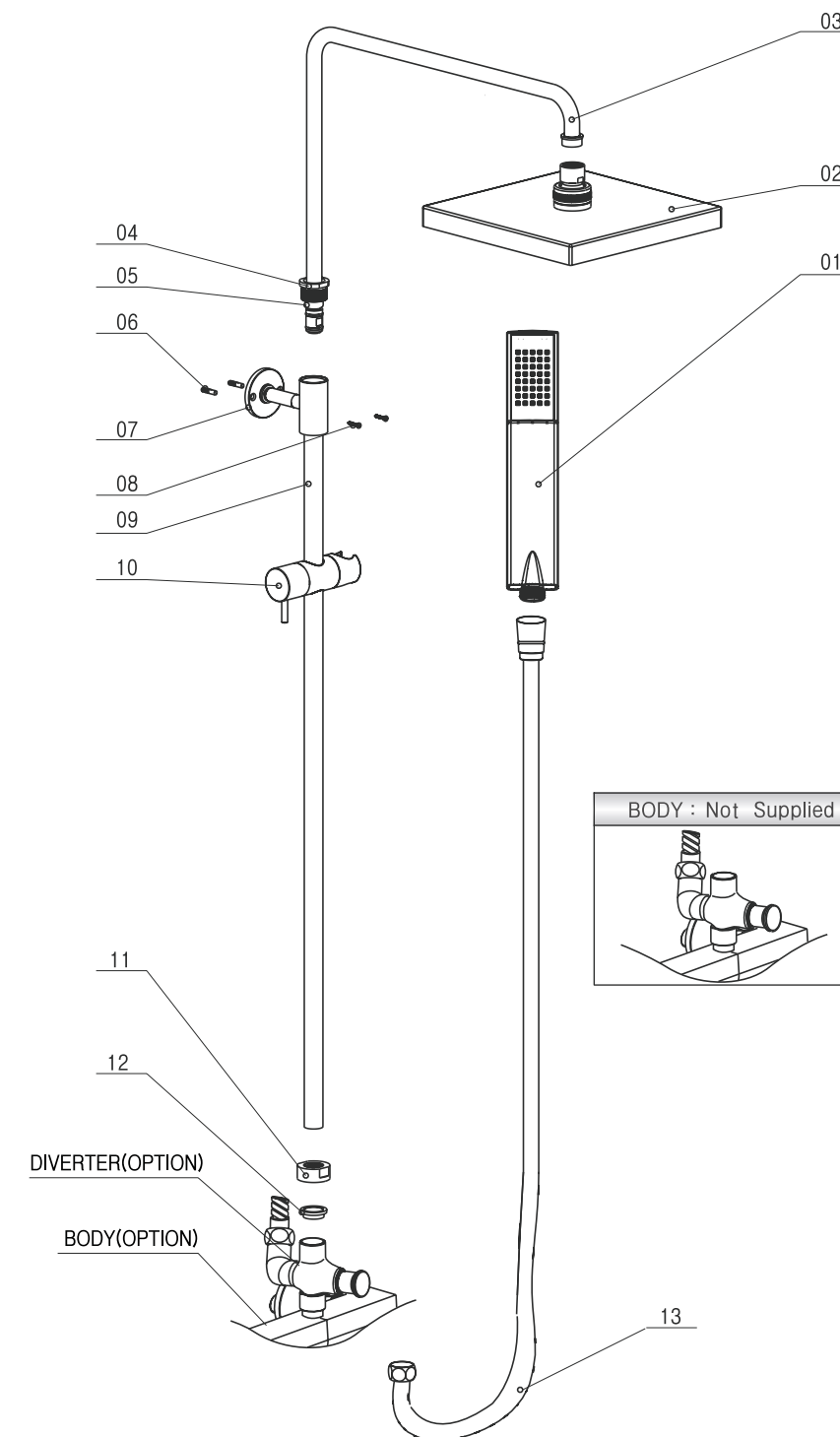
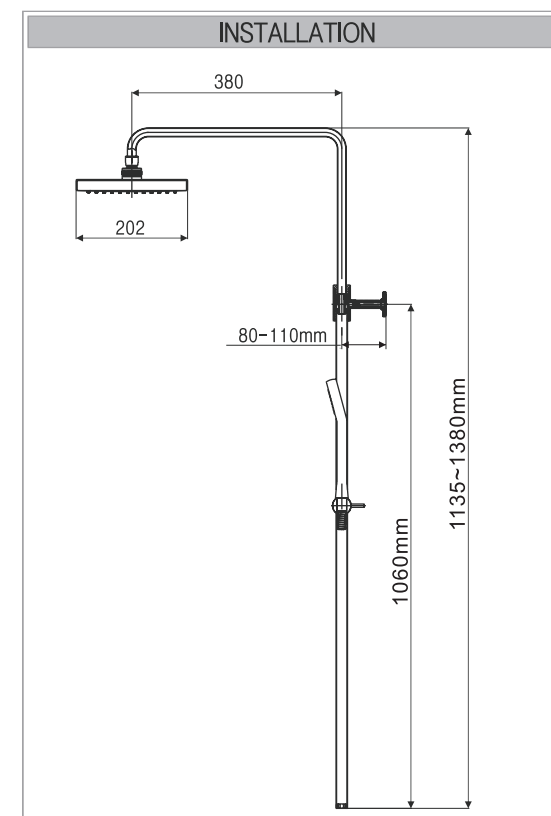
6. MAINTENANCE

- Keep the product clean with clean water or mild liquid detergent regularly.
- Rinsed with clean water, and wipe with cotton cloth to dry.
- Acid or abrasive detergents are prohibited

7. Term of Guarantee

- This warranty shall be effective from date of purchase as shown on purchaser's receipt. we guarantee for 1 year, after purchasing product.
- Except :
 Trouble caused by disasters or user's carelessness.
 If leakage is caused by connection problem with 3rd party products or non approved parts.
 In the following cases, service fee will be charged even within the warranty period.
 - Any damages caused by improper installation
 - Any damages caused by carelessness of users or natural disasters
 - Any damages caused by using the product with improper parts or products from other companies

Part list		
No.	Name	Qty:
01	HAND SHOWER	1
02	SHOWER HEAD	1
03	SHOWER ARM	1
04	FIXING NUT	1
05	RING	1
06	WALL PLUG	2
07	FIXING BRACKET	1
08	SCREW	2
09	PIPE	1
10	SLIDER	1
11	NUT	1
12	SEALING	1
13	METAL HOSE(L=1500mm)	1



To ensure that your installation proceeds smoothly, please read this instructions carefully before you begin.



Attention Installer:
 Leave this information to the customer
 after installation is complete



1. CHECK EVERY COMPONENT BEFORE INSTALLATION

- After you open this package, please check the components in accordance with the Part list
- Whether any shortage, please contact the local agent or our company immediately.

2. RECOMMEND TOOLS & MATERIALS

- Spanner, Inner Hexangular Spanner, Phillips Screwdriver, Drill, Sink, Safety Glasses.

3. INSTALLATION INSTRUCTION

1 Befor Installation

- Thank you for using our high quality products. The product has been passed the functionality test before ex-factory, please do not disassemble by yourself at will.
- The working pressure of this product is 1.5kgf/cm²~7.5kgf/cm². The best water pressure is 2.0kgf/cm²~5.0kgf/cm².
- Please be careful of your security while drilling and installing.
- To use rain shower system is need to be body.

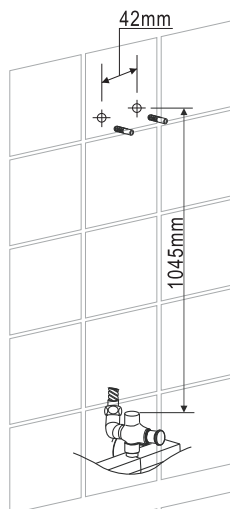
Warning: Please ensure there are no hidden service pipes and cables where you intend to drill.

Declare: We reserve the rights to alter the structure of the product without any notice.

It must use with body of American standard.

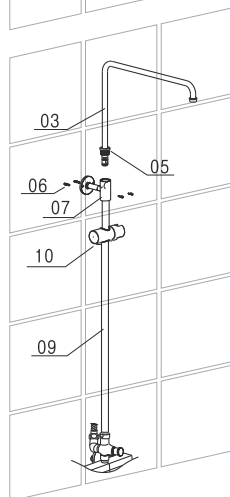
2 Drill the fixing bracket hole

- Before Drill on the wall, check height between FIXING BRACKET and Body.
- As right drawing, draw the FIXING BRACKET position on the wall.
- Drill two Φ 6mm holes in the wall. The depth of holes should be 35mm.



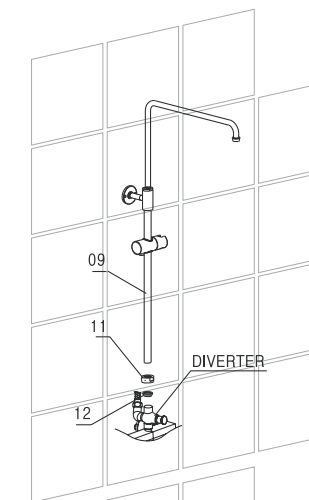
3 Assemble the both tubes

- Take the SHOWER ARM (03). Adjust the direction of SHOWER ARM (03) and the above FIXING BRACKET (07) as right drawing, then put the SHOWER ARM into the above FIXING BRACKET.
- Fix the SCREW (08), which locate in the above FIXING BRACKET (07), make sure the SHOWER ARM(03), PIPE(09) and above FIXING BRACKET (07) are firmly fixed



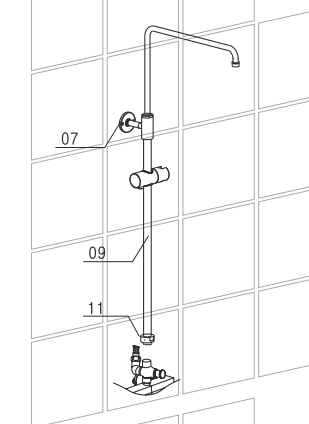
4 Connect pipe to diverter of faucet

- Assemble the NUT S/A(11) with PIPE(09) to area of DIVERTER
- Fix the NUT S/A(11) using spanner.



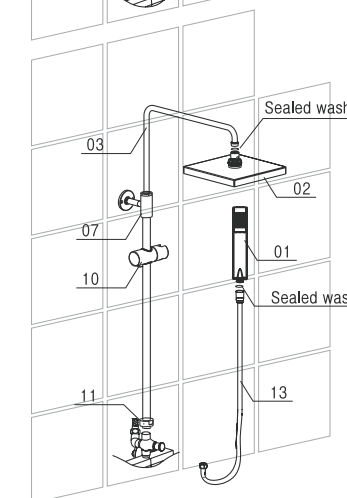
5 Adjust distance of fixing bracket

- It can be adjusted distance between wall and center of diverter by fixing bracket
- Notice that adjust distance Min 80mm to Max 110mm by fixing bracket



6 Install the hand shower, shower head and metal hose

- Put washers into the METAL HOSE(13). Connect the METAL HOSE(13) with the HAND SHOWER (01) and the hex-nut of hose with the elbow of diverter. Set the hand shower into the SLIDER(10).
- Put the sealed washer into tie-in of the SHOWER HEAD (02). Connect the SHOWER HEAD (02) and the SHOWER ARM (03).



- Check up every step to ensure the stability and tightness to avoid any leaking before testing the shower spray.

4. CAUTION

- When you use Hot water, Please be careful Hot water comes out from Shower head

