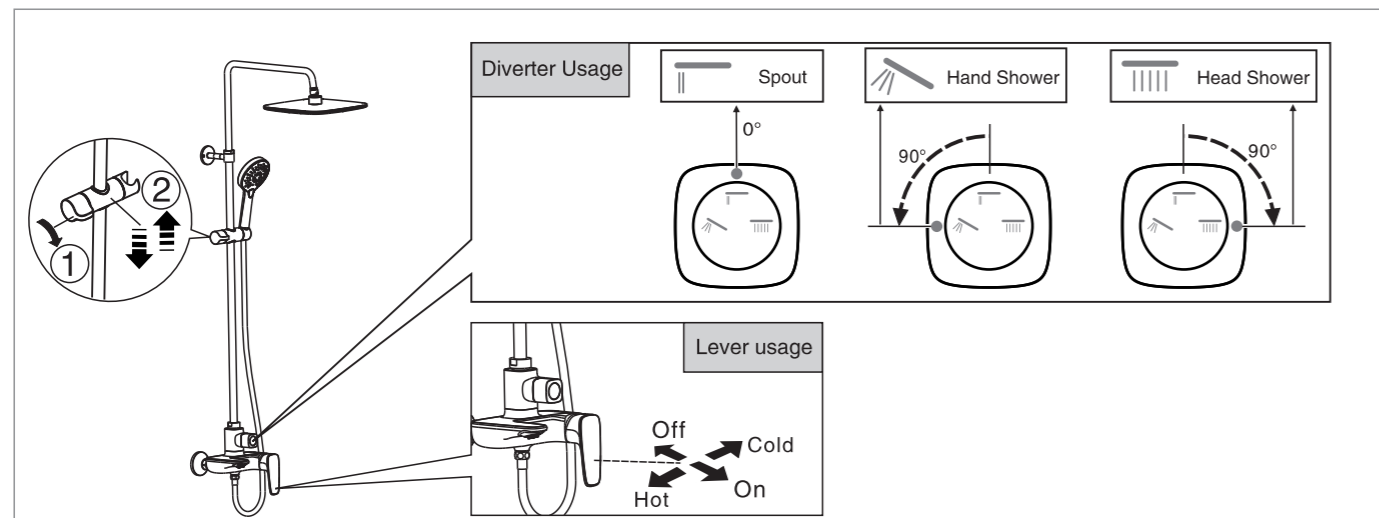


## Test / Usage

### 1 Test

- \* Push lever down to 'OFF' position. Open water supply valve to check all connections for leakage(s).
- \* Lift lever up to 'ON' position. Check that water is flowing from spout.

### 2 Usage

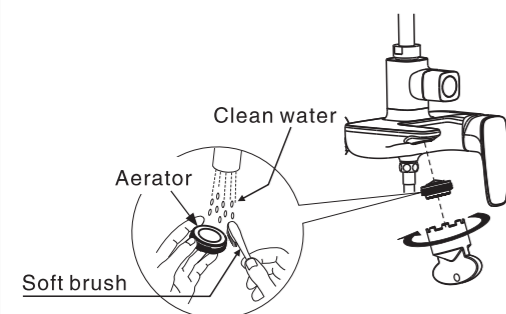


## Trouble Shooting Guide

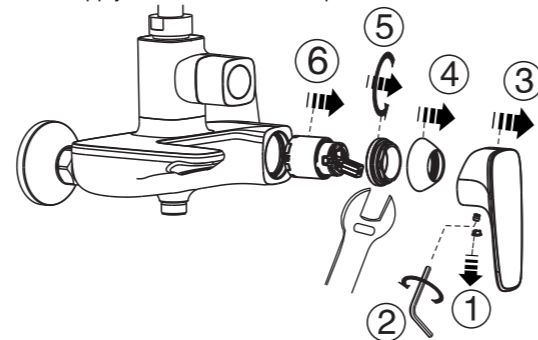
Issue	Component	Checkpoint	Corrective Action
Poor flow rate	Aerator	Check if aerator is clogged	Remove all impurities
	Water supply valve	Check lever position	Lift lever to maximise water volume
	Hose	Check if hose is twisted	Untwist the hose
Leakage	Cartridge	Check if cartridge is loosened	Fasten or replace cartridge
	Connection joints	Check the connection	Reassemble connecting part
Abnormal Temperature	Water supply valve	Check lever position	Lift lever to maximise water volume
	Water supply pipeline	Check if supply pipes have been correctly connected	Connect the hot and cold water pipe correctly

## Care & Maintenance

\* Clogged aerator due to poor water quality can lead to reduced water flow. Follow steps below to clean aerator to ensure optimal performance.



\* Clogged cartridges due to poor water quality can affect product performance. Follow steps below to maintain optimal product performance.  
\* Note: please turn off water supply before maintenance process.



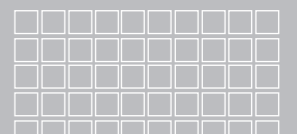
**Attention:**  
Please leave manual with customer post installation.

## Signature

FFAS1772-701500BT0  
Exposed Bath & Shower Mixer  
with integrated Rainshower Kit



American Standard



Installation &  
Operation Instructions

Thank you for selecting American Standard the benchmark of fine quality for over 100 years.  
To ensure that your installation proceeds smoothly, please read these instructions carefully before you begin.

- \* American Standard continually improves our product design and performance and reserves the right to modify the dimension and specification of our product accordingly without any prior notification.
- \* Actual dimensions and specifications may vary, refer to physical product for exact dimensions and specification.

## Pre-Installation Checks

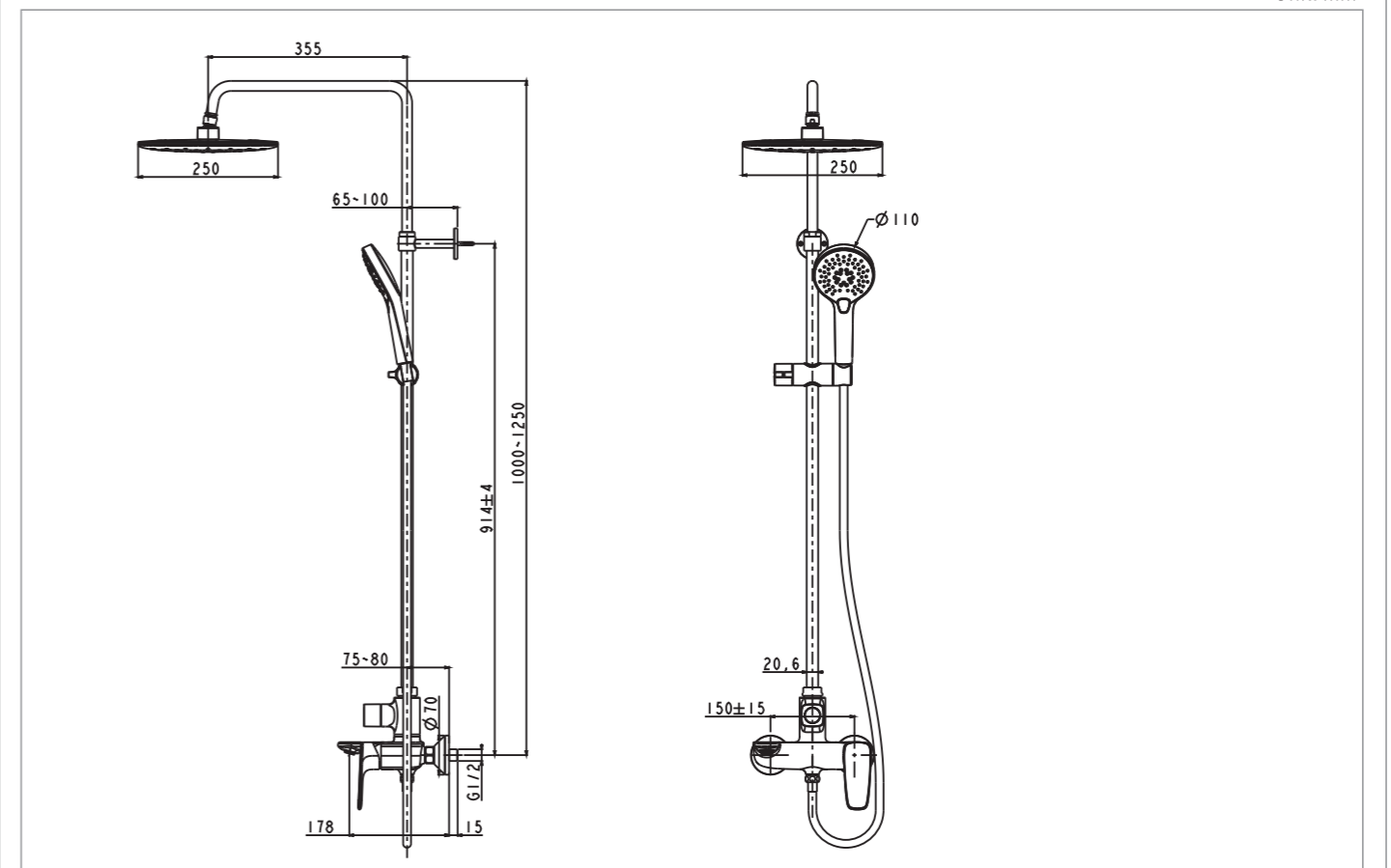
- \* Remove all impurities from pipes before installation to avoid clogging. Connect faucet pipes correctly. Ensure that the cold water hose is connected to the right side and the hot water hose to the left.
- \* Check installation distances shown in the dimension diagram to ensure correct installation.
- \* Warning: Avoid lifting/ holding product lever only during installation. Instead, hold product spout/ main body.

## Conditions for use

- \* Water pressure condition: 0.05~0.75MPa (Recommended water pressure condition: 0.1~0.5MPa)
- \* Ambient temperature: 1~55°C
- \* Water temperature: 4°C ~ 90°C (Recommended hot water temperature 50~60°C)
- \* Steam should not be used with product.
- \* Note: Ensure water source is clean. Poor water quality can cause cartridge and internal components to clog, resulting in poor volume control and/ or product failure.

## Dimension

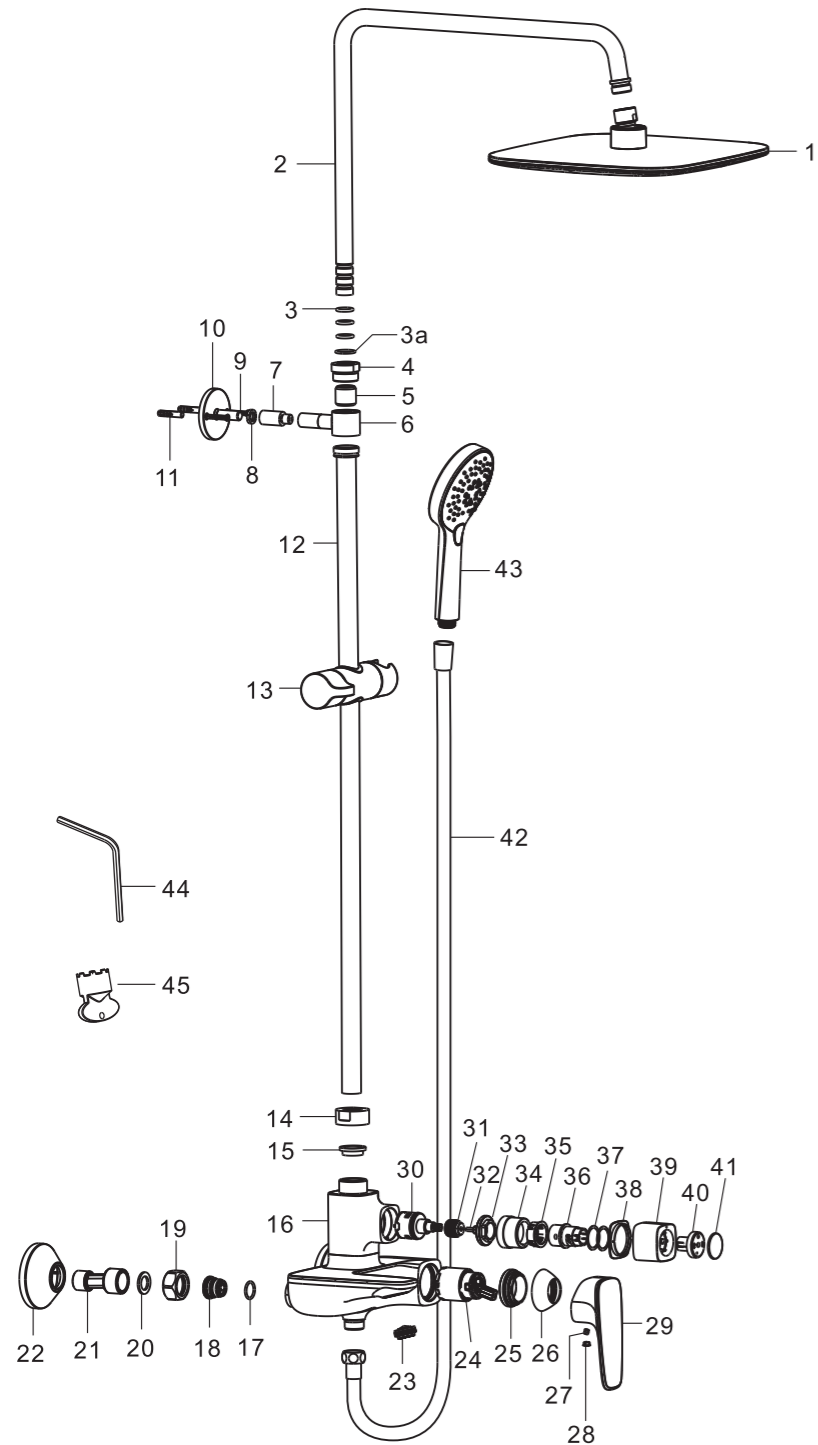
Unit: mm



### Recommended Tools and Materials



### Parts List



Parts List		
No.	Part Name	Q'ty
1	Head shower	1
2	Elbow pipe	1
3	O-Ring	3
3a	O-Ring	1
4	Nut	1
5	Sheath	1
6	Connector	1
7	Extension bar	1
8	Nut	1
9	Screw	2
10	Base	1
11	Anchor	2
12	Pipe	1
13	Shower hanger	1
14	Nut	1
15	Seal-ring	1
16	Body	1
17	O-Ring	2
18	Connector	2
19	Nut	2
20	Washer	2
21	S-connector	2
22	Escutcheon	2
23	Aerator	1
24	Cartridge	1
25	Nut	1
26	Cap	1
27	Screw	1
28	Index button	1
29	Lever	1
30	Diverter valve	1
31	Bushing	1
32	Screw	1
33	Nut	1
34	Knob seat	1
35	Bushing	1
36	Adaptor	1
37	Spring washer	2
38	Washer	1
39	Knob	1
40	Adaptor	1
41	Cap	1
42	Hose	1
43	Hand shower	1
44	L-wrench	1
45	Aerator Key	1

### Installation

