

Exposed EasySET

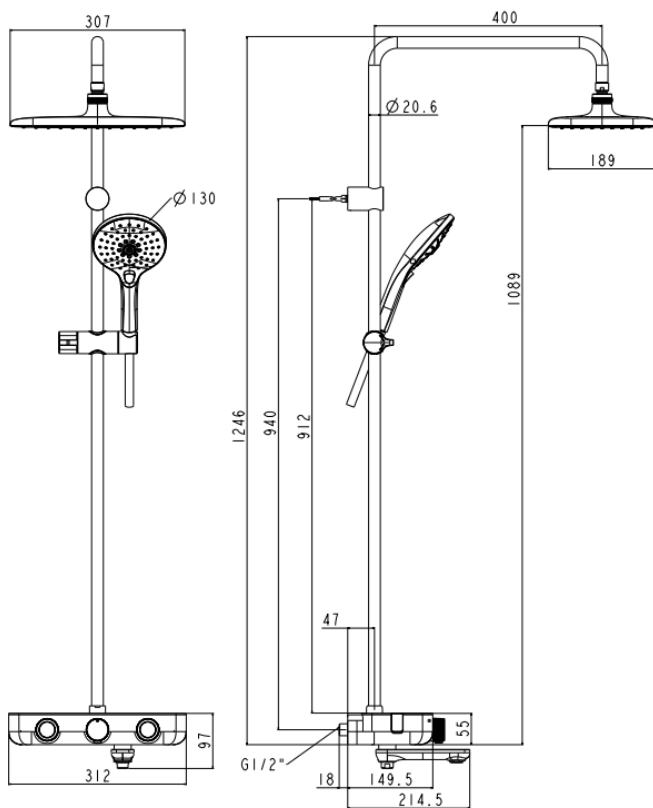
American Standard

Auto Temperature Shower System (3-Way)

FFAS4956-601500BC0



DIMENSIONAL DRAWING



FEATURES

- German thermostatic cartridge
- Anti-scald safestop button
- Push button cartridge with flow rate adjustable from Japan, life cycle $\geq 300,000$ times
- Plastic body with cool touch design, no risk of scalding on the body
- Designed with a shelf space for storage function
- Side Hook on both side, as a shower accessories and drain the water on the top of Casting brass spout, rotate to divert the water to hand shower and spout
- 3-functions Rain Click hand shower, instinctive button for switching between spray modes
- PVC Silver twist-free shower hose
- With easy glide shower holder
- With normal packaging
- 307*189 rectangle head shower, with air-in function
- Flow rate @ 0.1MPa: 4.3L/M for hand shower
- Flow rate @ 0.1MPa: 6 L/M for shower head
- Flow rate @ 0.1MPa: 12 L/M for Spout

SPECIFICATIONS

- Exposed THM mixer faucet
- Two-Hole Installation

FINISHES AVAILABILITY

- Chrome (- CP)

AWARDS WON

- N/A

SHIPPING WEIGHT

- Product gross weight: 9.5 kg /set
- Product net weight: 7.5 kg /set

STANDARDS CRITERIA

- GB/T 2806-2017

This document is the property of American Standard. It can neither be reproduced, nor communicated, without authorization.

American Standard reserves the right to change dimensions and specifications without notice, we assume no liability for the use of obsolete dimensions.

Rev.: D0