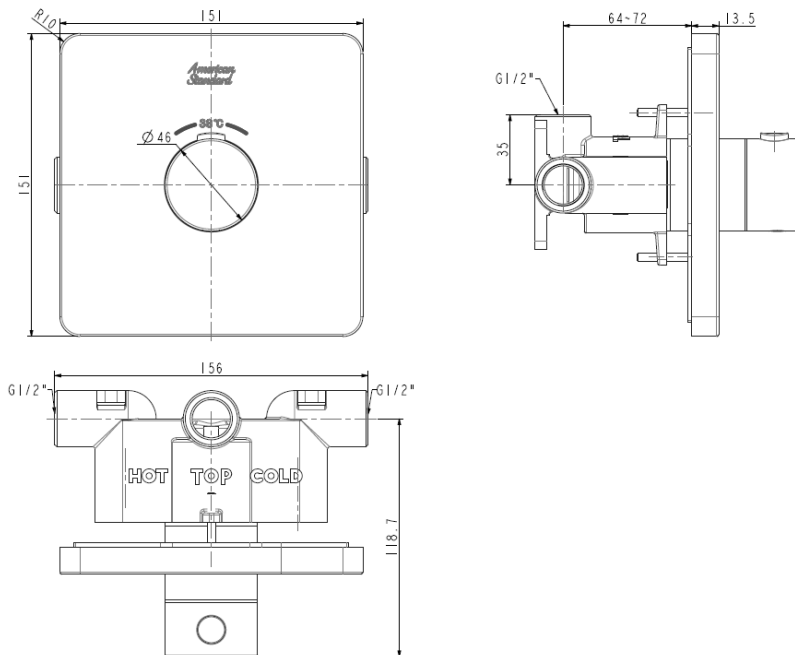


Conceal Thermostatic Mixer with Trim FFAS0930-000500BC0



DIMENSIONAL DRAWING



FEATURES

- Casting brass concealed body
- With Anti-scald protect button to avoid scalding
- With water temperature restrictor, the Max. temperature for the water
- cartridge tested = 30,000 times
- With normal packaging
- Flow rate @ 0.3MPa: 47 L/min

SPECIFICATIONS

- Concealed thermostatic control valve, factory setting is 38 °C.
- With water temperature restrictor, the Max. temperature for the water coming out is lower than 49 °C

FINISHES AVAILABILITY

- Chrome (- CP)

AWARDS WON

- N/A

SHIPPING WEIGHT

- Product weight: 1.9 kg

STANDARDS CRITERIA

- Q B 2806-2006

FLOW CHART

flow rate (L/min)

