

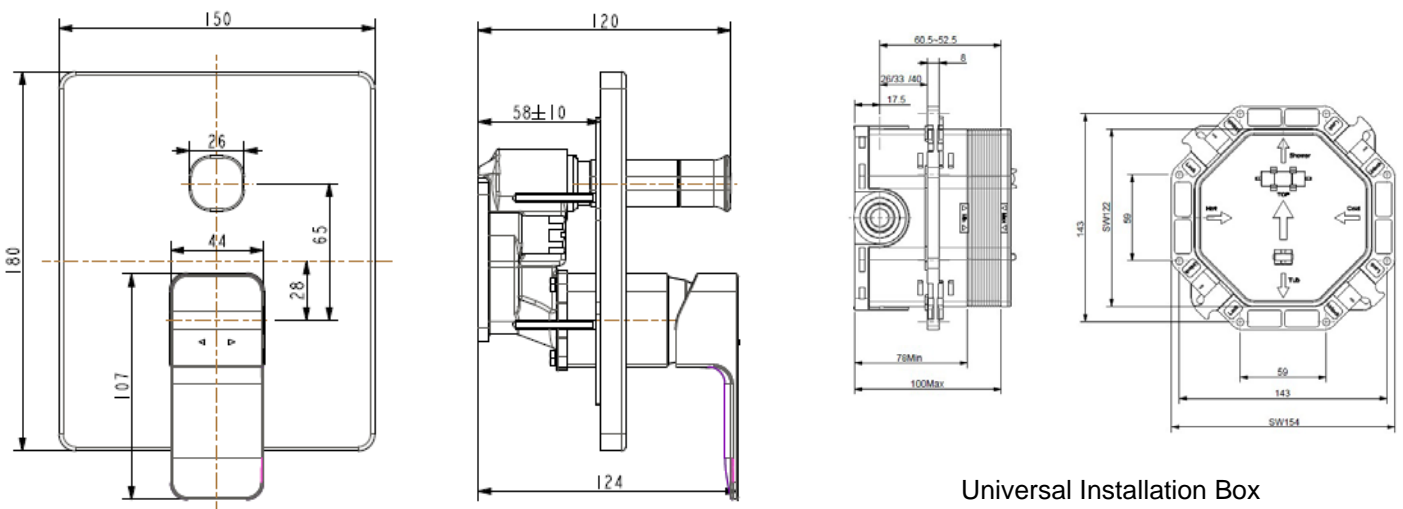
## Acacia Evolution

Concealed Bath&Shower Mixing Valve  
With Universal Installation Box

WF-1321.609.50



### DIMENSIONAL DRAWING



Universal Installation Box

### FEATURES

- Modern design that can fit with any style of bathroom
- Ceramic disc valve for a life time use
- Strong brass construction
- Nickel and chromium plating for durable finish
- With 2-way Diverter for Spout and Shower Head
- Without Shower Kits and Spout
- Flow Rate @ 0.1 MPa (W/o Spout) : 13.32 L/Min
- Flow Rate @ 0.1 MPa (W/o Shower) : 13.92 L/Min
- Included Universal Installation Box (WF-0625.000.99)

### SPECIFICATIONS

- Concealed Bath&Shower Mixing Valve
- In-Wall Installation
- Plate Dimension : 180x150 mm

### FINISHES AVAILABILITY

- Chrome (- CP)

### AWARDS WON

- N/A

### SHIPPING WEIGHT

- Product weight: 2.03 kg

### STANDARDS CRITERIA

- GB 18145-2014