

&

## WF-1422

Concept Concealed Shower Mixing Valve



### FEATURES

- High quality ceramic valve for longer usage
- Hot and cold water

### SPECIFICATIONS

- Chromium plating for durable finish
- German ceramic disc cartridge, ceramic cartridge tested = 500,000 times.
- High durability life cycle with smooth effortless handle operation, safety for high burst pressure, and drip-free cartridge.
- Strong brass construction

### STANDARDS CRITERIA

- N/A

### AWARDS WON

- N/A

### SHIPPING WEIGHT AND DIMENSIONS

- N/A

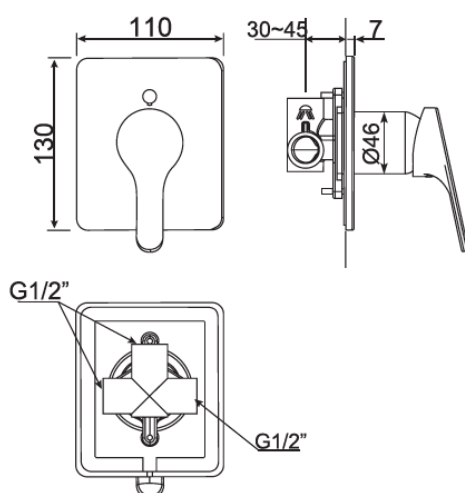
### FINISHES AVAILABILITY

- Chrome (-CP)

### INCLUDED COMPONENTS

- N/A

### DIMENSIONAL DRAWING



Note: Please contact Product Marketing team for latest information before sending to external.

Lưu ý: Vui lòng liên hệ Product Marketing để cập nhật thông tin mới nhất trước khi gửi đến khách hàng.