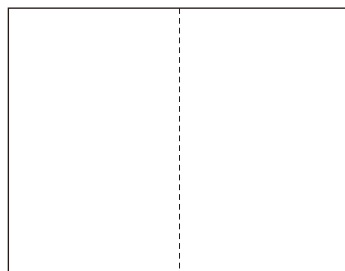


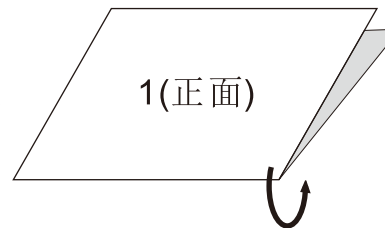
2020年4月30日

A/O

Tolerance, Unless Otherwise Stated. Is	
Above 0.5 to and including 6	±0.1
Excess 6 to and including 30	±0.2
Excess 30 to and including 120	±0.3
Excess 120 to and including 315	±0.5
Excess 315 to and including 1000	±0.8
Excess 1000 to and including 2000	±1.2



1. 说明书双面印刷完成  
(297x210=A4) 共1张



2. 说明书折叠完成

制作说明:

1. 说明书完成的尺寸: 148\*210
2. 材料: 80克的白色纸
3. 印刷说明: 说明书为297x210(A4) 双面印刷, 并折叠成148x210大小完成(详看图示)
4. 印刷颜色: 黑白
5. 印刷时, 内容准确, 清晰, 墨色均匀, 表面清洁。

FFAST826-709500XX0  
EasyFLO Concealed Shower Mono  
FFAST826-709090XX0  
EasyFLO Concealed Shower Mono (Glossy White)  
FFAST826-709440XX0  
EasyFLO Concealed Shower Mono (Matt Black)

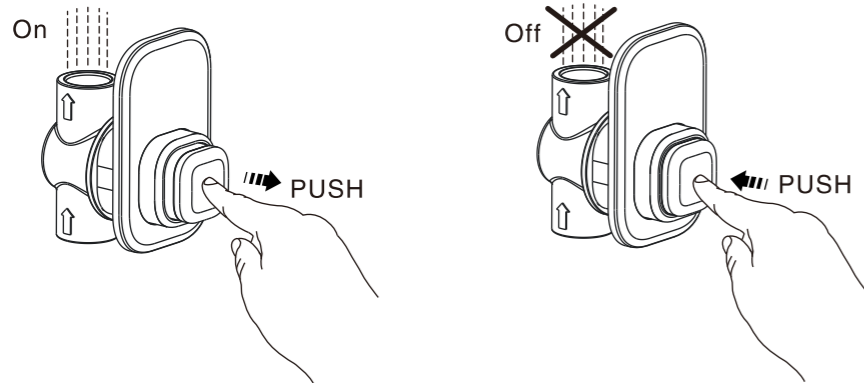
DESIGN	黄卓桓	2020.01.02	TITLE	<b>Instructions</b>  英文说明书
CHECKED	利华斌	20200102	REF	
APPROVED	郭海岩 2020.1.8.			
SCALE	MATERIAL	WEIGHT	DWG NO.	<i>American Standard</i>
REV	DESCRIPTION	DATE	NAME	

## Test / Usage

### 1 Test

- \* Turn on water supply valve and check all connections for leakage.
- \* Turn on the faucet and check the flow of water.

### 2 Usage



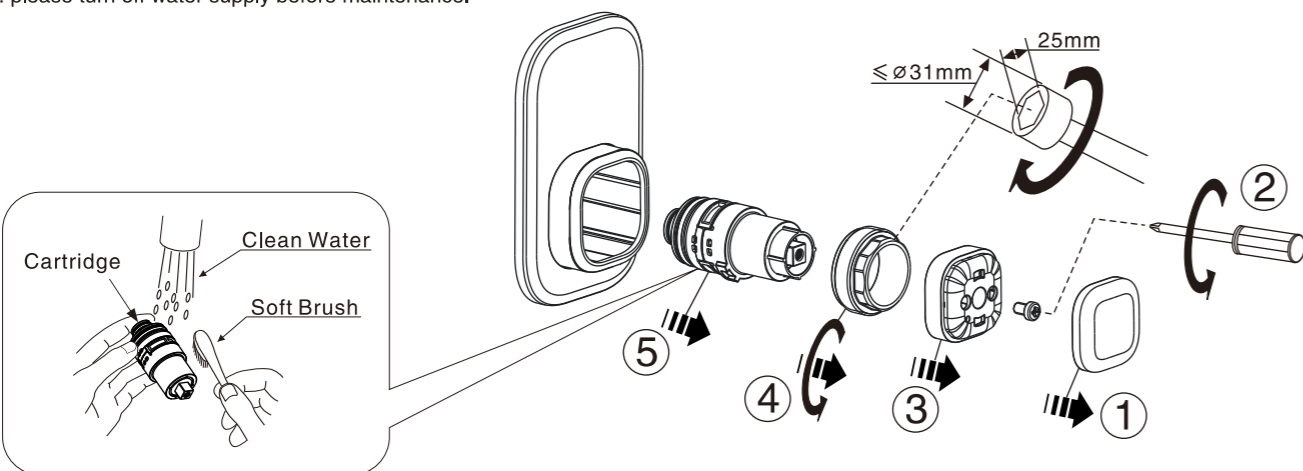
2020年4月30日  
A/O

## Trouble Shooting Guide

Issue	Component	Checkpoint	Corrective Action
Poor flow rate	Aerator	Check if aerator is clogged	Remove all impurities
	Water supply valve	Check lever position	Lift lever to maximise water volume
	Hose	Check if hose is twisted	Untwist the hose
Leakage	Cartridge	Check if cartridge is loosened	Fasten or replace cartridge
	Connection joints	Check the connection	Reassemble connecting part

## Care & Maintenance

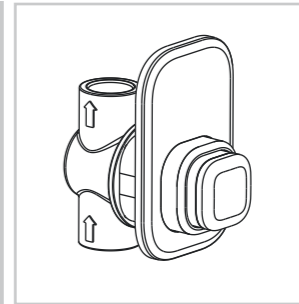
- \* Clogged cartridges due to poor water quality can affect product performance.
- \* Follow the steps below to maintain optimal product performance.
- \* Note: please turn off water supply before maintenance.



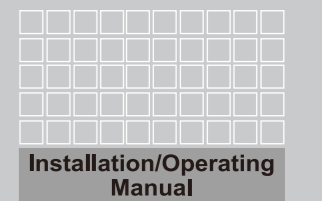
**Attention:**  
Please leave manual with customer post installation.

## EasyFLO

FFAST826-709500XX0  
EasyFLO Concealed Shower Mono  
FFAST826-709090XX0  
EasyFLO Concealed Shower Mono (Glossy White)  
FFAST826-709440XX0  
EasyFLO Concealed Shower Mono (Matt Black)



American Standard



Thank you for selecting American Standard, the benchmark of fine quality for over 100 years. To ensure that your installation proceeds smoothly, please read these instructions carefully before you begin.  
\* American Standard continually improves our product design and performance. American Standard reserves the right to modify the dimensions and specifications of our product accordingly without any prior notification.  
\* Actual dimensions and specifications may vary, refer to physical product for exact dimensions and specifications.

## Pre-Installation Checks

- \* Remove all impurities in pipes before beginning installation, to avoid clogging. Connect the faucet pipes correctly.
- \* Check installation distances shown in the dimension diagram to ensure correct installation.

### Conditions for use

- \* Water pressure condition: 0.05~0.75MPa (Recommended water pressure condition: 0.1~0.5MPa)
- \* Ambient temperature: 1~55°C
- \* Water temperature: 4°C ~ 49°C
- \* Steam should not be used with the product
- \* Note: Ensure water source is clean. Poor water quality can cause the cartridge and internal components to clog, resulting in poor product performance.

## Recommended Tools and Materials



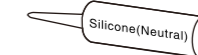
Adjustable Wrench



Teflon Tape

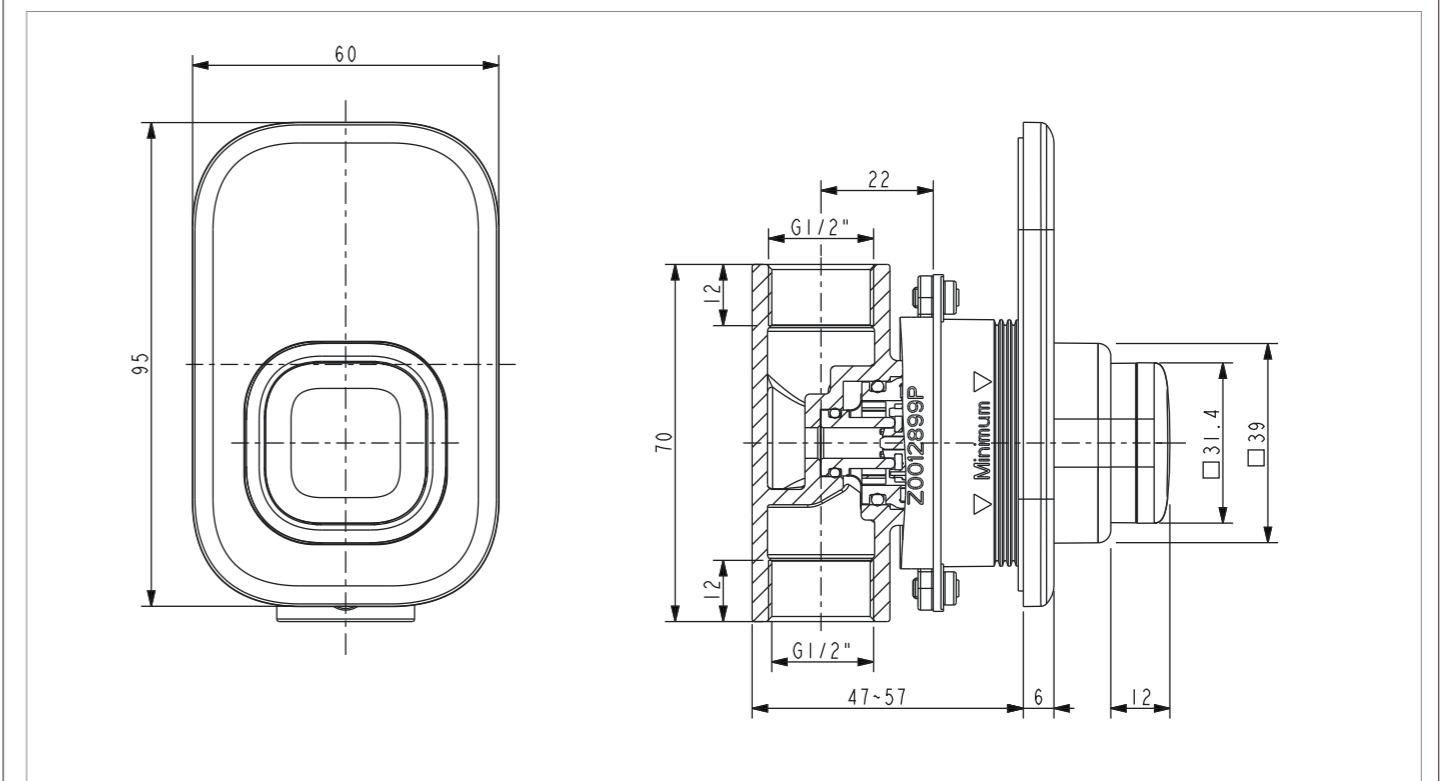


Cutting knife

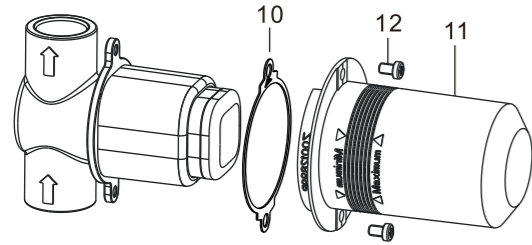


Silicone(Neutral)

## Dimensions

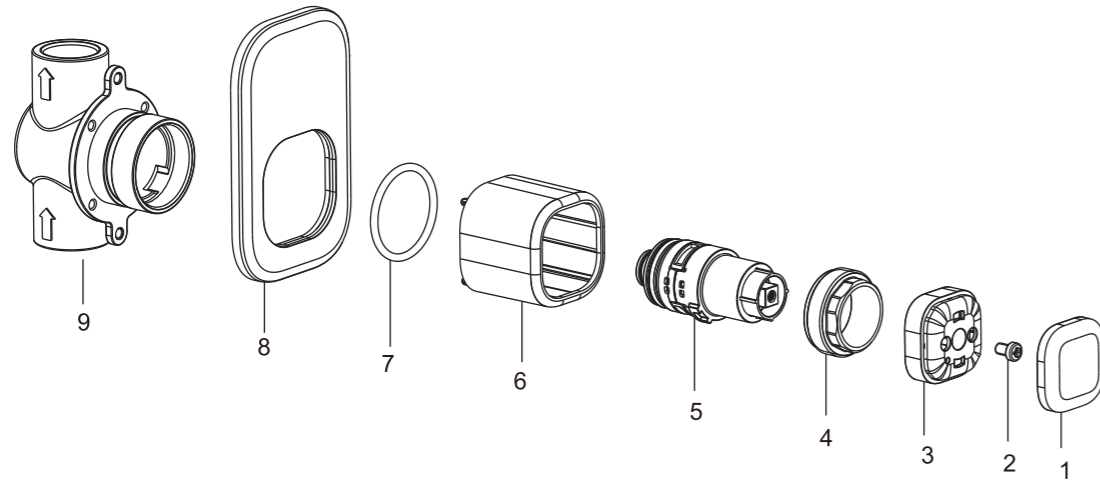


## Parts List

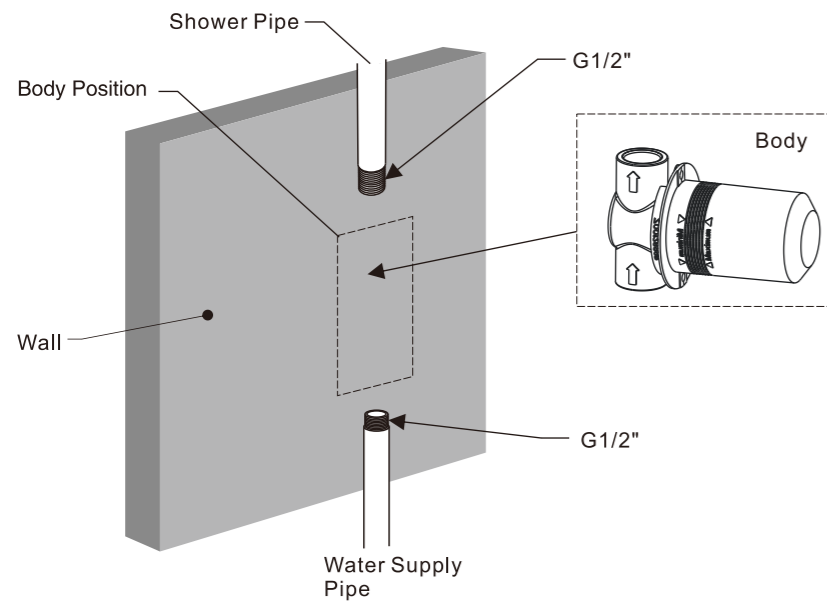


No.	Part Name	Q'ty
1	Button	1
2	Screw	1
3	Cap	1
4	Nut	1
5	Cartridge	1
6	Cartridge Bushing	1
7	O-Ring	1
8	Escutcheon	1
9	Body	1
10	Washer	1
11	Cover	1
12	Screw	2

2020年4月30日  
A/O



## Preparation

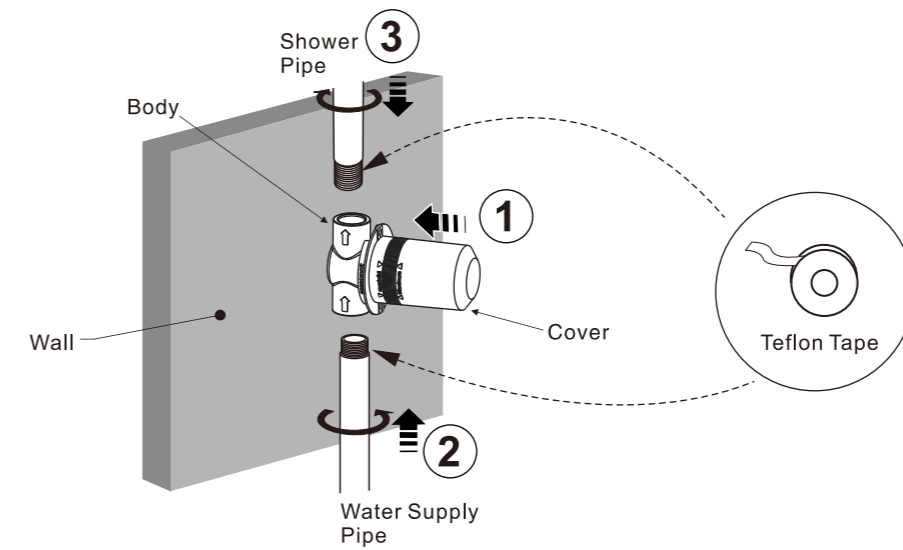


① \* Lay the pipes with reference to the dimension drawing.

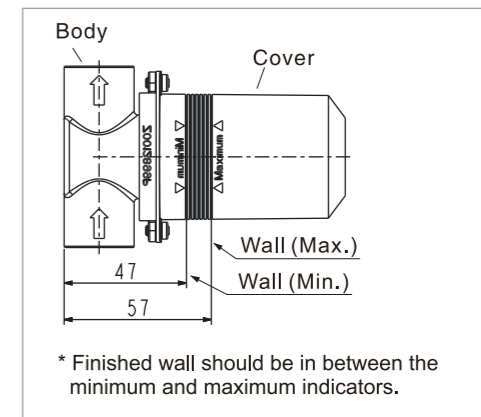
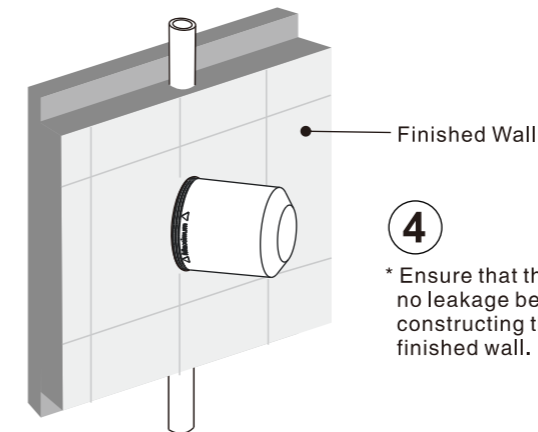
② \* Before installation, ensure that the pipes are not clogged.

## Installation

### 1 Body Installation



### 2 Finished Wall



### 3 Escutcheon Installation

