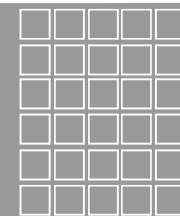


Thank you for selecting American-Standard - the benchmark of fine quality for over 100 years.  
To ensure that your installation proceeds smoothly--please read these instructions carefully before you begin.

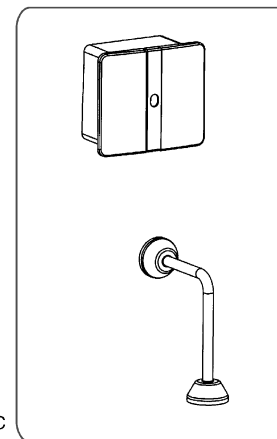
*Design Solutions*  
by **American Standard**



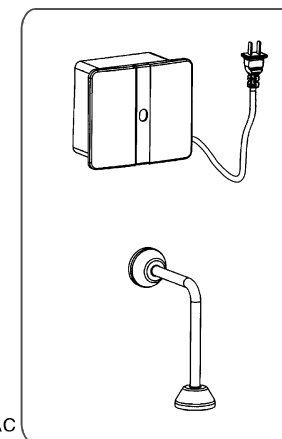
### TROUBLE SHOOTING

Problem	Reason	Correction
No Detection No Flow	No battery or the battery installed wrong and no power supply Something around the sensor is detected all the time Sensor window is dirty The connection is not connected correctly	Install battery and connection power supply Clean the things around the sensor Clean the sensor window Check the connection
Has detection but no flow	Just finished installation The stop valve is closed Somethings around the sensor is detected all the time Sensor window is dirty	Wait for 10 minutes Open the stop valve Remove somethings around the sensor Clean the window
Low water flow	The stop valve is not open entirely The filters are blocked Low water pressure	Open the stop valve entirely Clean the filters Contact with water supply department
Water flow nonstop	Somethings around the sensor is detected all the time The water flow last for a long time	Remove somethings around the sensor Close the supply valve or wait for 1 minute

## Installation & Operation Instruction



WF-8604.000.50  
Senseflow Concealed Urinal Sensor Flush Valve,DC

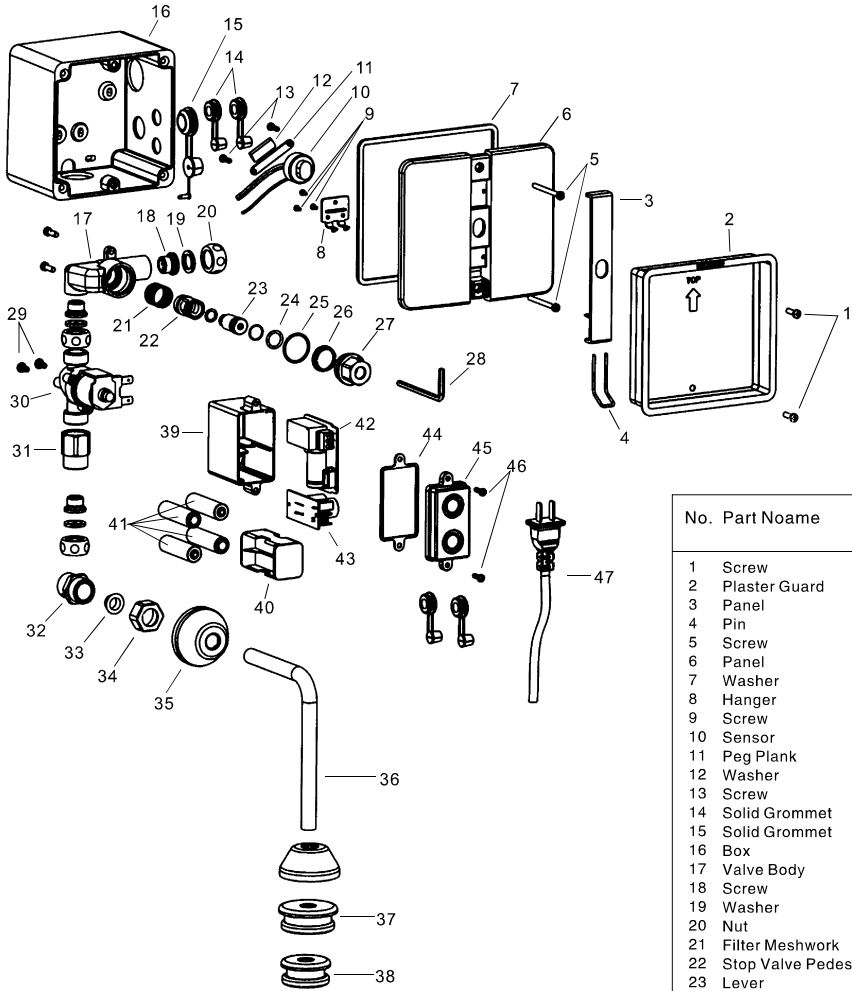


WF-8614.000.50  
Senseflow Concealed Urinal Sensor Flush Valve,AC



Attention Installer:  
Leave this information with to the customer after installation is complete.

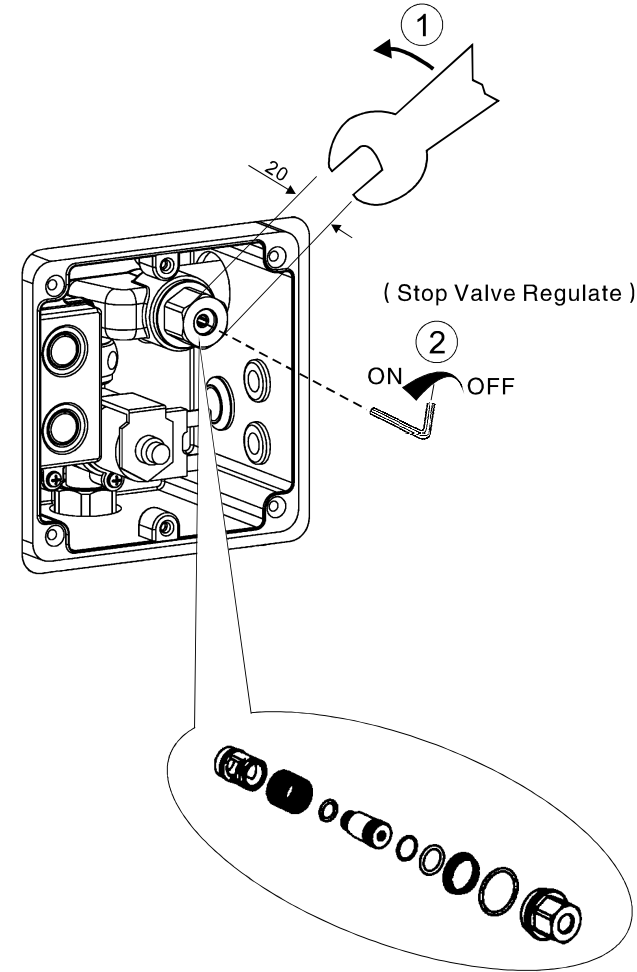
*American Standard*



No.	Part Noame	Q'ty	
WF-8604 WF-8614			
1	Screw	2	2
2	Plaster Guard	1	1
3	Panel	1	1
4	Pin	1	1
5	Screw	2	2
6	Panel	1	1
7	Washer	1	1
8	Hanger	1	1
9	Screw	3	3
10	Sensor	1	1
11	Peg Plank	1	1
12	Washer	1	1
13	Screw	1	1
14	Solid Grommet	4	4
15	Solid Grommet	1	1
16	Box	1	1
17	Valve Body	1	1
18	Screw	3	3
19	Washer	3	3
20	Nut	3	3
21	Filter Meshwork	1	1
22	Stop Valve Pedestal	1	1
23	Lever	1	1
24	O-Ring	1	1
25	O-Ring	1	1
26	Pedestal	1	1
27	Valve Cover	1	1
28	In-Hex Wrench	1	1
29	Screw	2	2
30	Solenoid Valve	1	1
31	Connector	1	1
32	Connector	1	1
33	Taper Washer	1	1
34	Nut	1	1
35	Escutcheon	2	1
36	Syphon	1	1
37	Washer	1	1
38	Washer ( ∅ 32 )	1	1
39	Battery Box Body	1	1
40	Battery Box	1	0
41	Battery	4	0
42	Circuit Board AC	0	1
43	Circuit Board DC	1	0
44	Washer	1	0
45	Battery Box Cover	1	0
46	Screw	2	0
47	Power Line	0	1

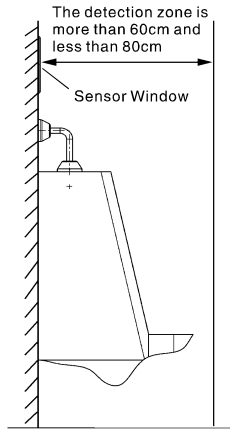
No.	Part Noame	Q'ty	
WF-8604 WF-8614			
42	Circuit Board AC	0	1
43	Circuit Board DC	1	0
44	Washer	1	0
45	Battery Box Cover	1	0
46	Screw	2	0
47	Power Line	0	1

Stop Valve of this sensor faucet has equipped with a good quality filter, but the impurity water or water pipe will do affect the water flow, in this condition, you should clean the filter, the process is as below:  
 1). Tighten the Stop Valve with Hexagonal Wrench in counter clockwise to the shut down the Stop Valve.  
 2). Use the special filter key or other opening tools to screw out the Stop Valve Cap.  
 3). Put out the Filter, clean it, and then put in.  
 4). Fix the Stop Valve Cap again, and loose the Stop Valve with Hexagonal Wrench. Then it resumes to work.

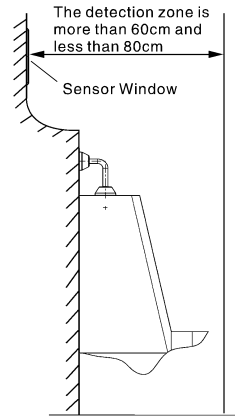


## The Detection Range Should be Adjusted in Below Occasions

1). The default range(60cm) is not suitable for the big size of the urinal.

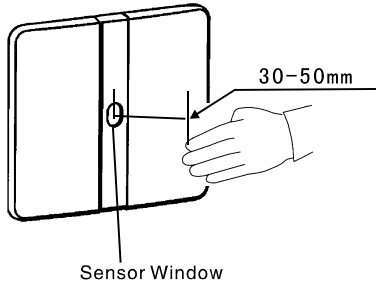


2). The default range(60cm) is not suitable for the special shape of the wall.

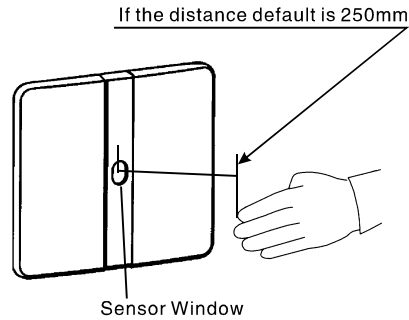


### Detection Zone Adjust

1. Open the valve box, unplug signal wire of circuit board, wait for a moment than plug again.  
2. Put hand at the distance of 30~50mm in front of the sensor when the LED is blinking, move hand the distance you wish.



3. When the LED turn off, move hand away, the range has been set successful.



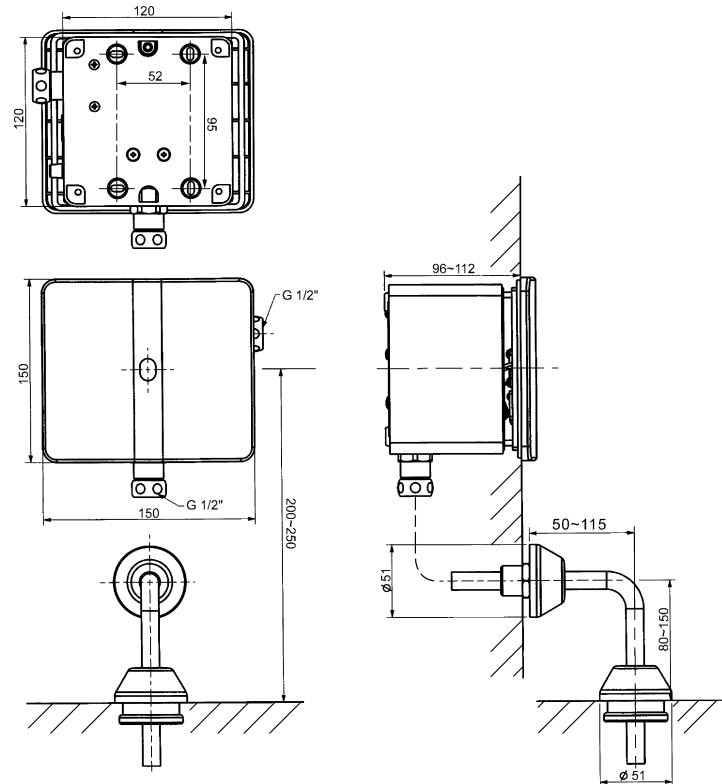
### Caution

- 1). Water source for the faucet should be drinking water.  
Water forbidden to supply: Seawater.
- 2). Knocking on the main component is not allowed.
- 3). Strong sunlight should be avoided to irradiate the sensor window directly.
- 4). Keep the sensor window clean. Knocking on it is not allowed.
- 5). The sensor window should be cleaned with neutral detergent or soft cloth.
- 6). Organic solvent shouldn't spray directly to the sensor window.

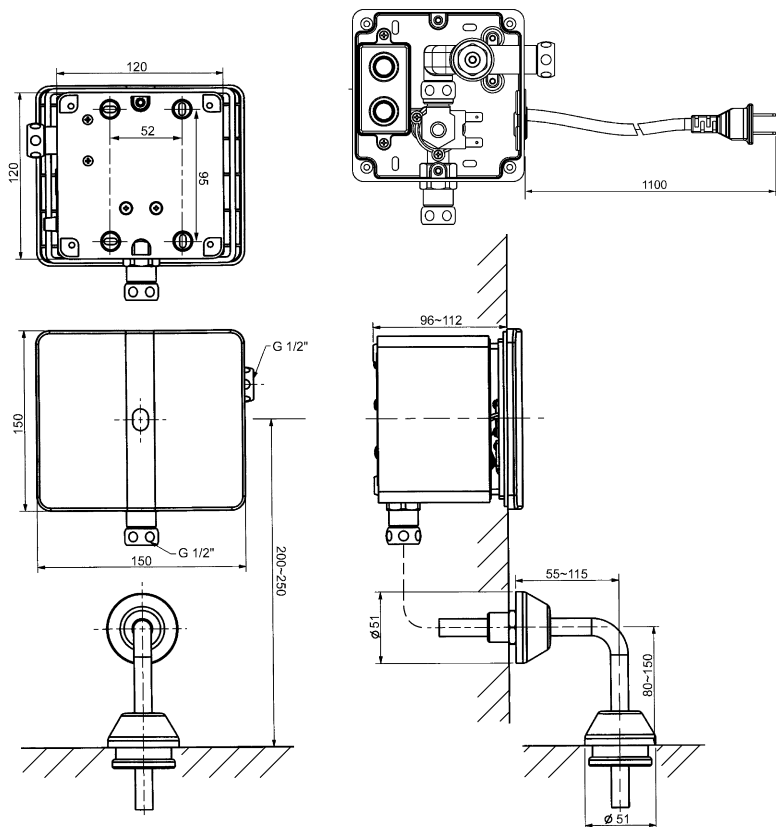
## Specification

Type	WF-8604.000.50 ( DC ) / WF-8614.000.50 ( AC )
Power Supply	4Pcs1.5V AA Basic Battery ( DC ) / 110V ~ 220V ( AC )
Mode of the inducing	Infrared Induction
Detects Range (Default)	60cm~80cm ( Default Distance 60cm )
Pressure Requirement	0.1 ~ 0.55Mpa
Pipe Size	G 1/2"
Environment Temperature	1°C ~ 55°C
Acceptable Water Temperature	1°C ~ 45°C
Test Time	3 Seconds
Flush Time	Pre-flush 1.5 Seconds; Second flush 8 Seconds
Flush Volume	2 ~ 4L Per Time ( 0.1Mpa )
Environment protect	Nobody use 24 hours continuance will auto-flush 1.5 seconds
Stadium Mode	If the urinal is used frequently and the time interval of two users is less than 2 seconds, the urinal will fulush for 1.5 seconds every 45 Seconds.

## Dimension ( WF-8604.000.50 )



## Dimension ( WF-8614.000.50 )



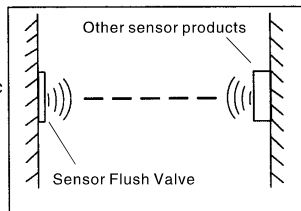
## Caution

- \* Remove all impurities in pipes before beginning to avoid clogging.
- \* Check installation distances in the Dimension diagram to ensure correct installation.
- \* To avoid surface damage by improper cleaning, please refer to attached care and Maintenance instruction.

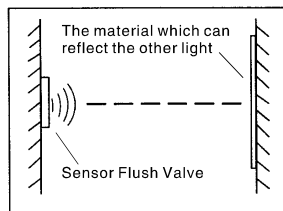
### Working Condition:

- \* Environment temperature: 1 ~ 55°C
- \* Acceptable water temperature: 1 ~ 45°C
- \* Available water pressure: 0.1 ~ 0.55Mpa

- \* Do not install the urinal in a place which having other sensor opposite on the opposite position such as toilet automatic flush equipment.
- \* Do not install the urinal in a place with any reflective object opposite, such as stainless steel.



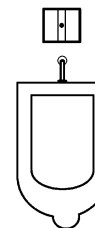
\* The installstion is not correct



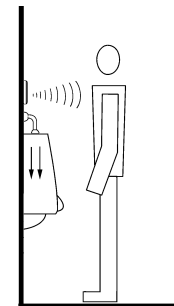
\* The installstion is not correct

## Test

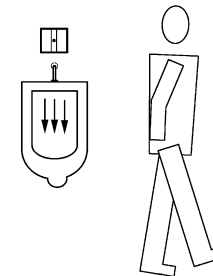
- \* Make sure the power and water supply connect.
- \* Open the water supply, Make sure there is no leakage in all connection.
- \* When enter the sensor zone, sensor detect and flush , When people leave the detective zone, Valve will flush again then stop, and waiting for start.
- \* Make sure every thing in working order.



Waiting



When enter the sensor zone, sensor detect and flush.



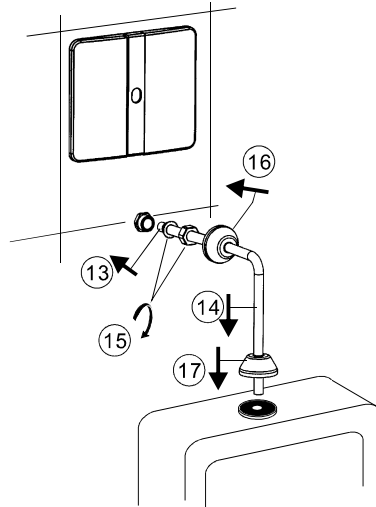
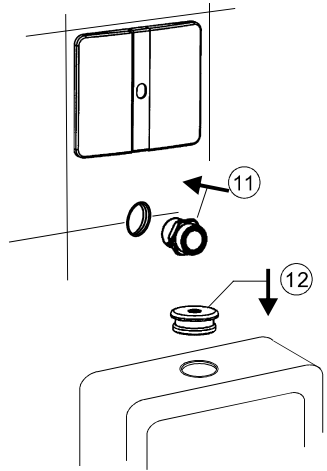
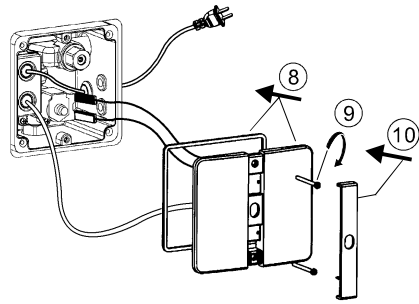
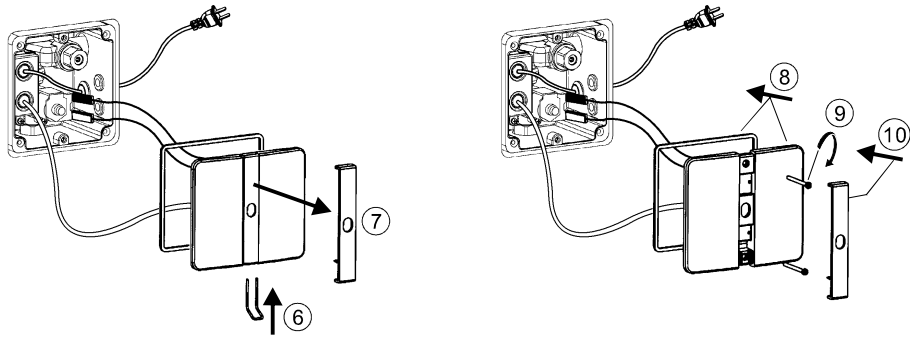
When people leave the detective zone, Valve will flush again then stop, and waiting for start.

## Usage Instructions

### Replace the Battery

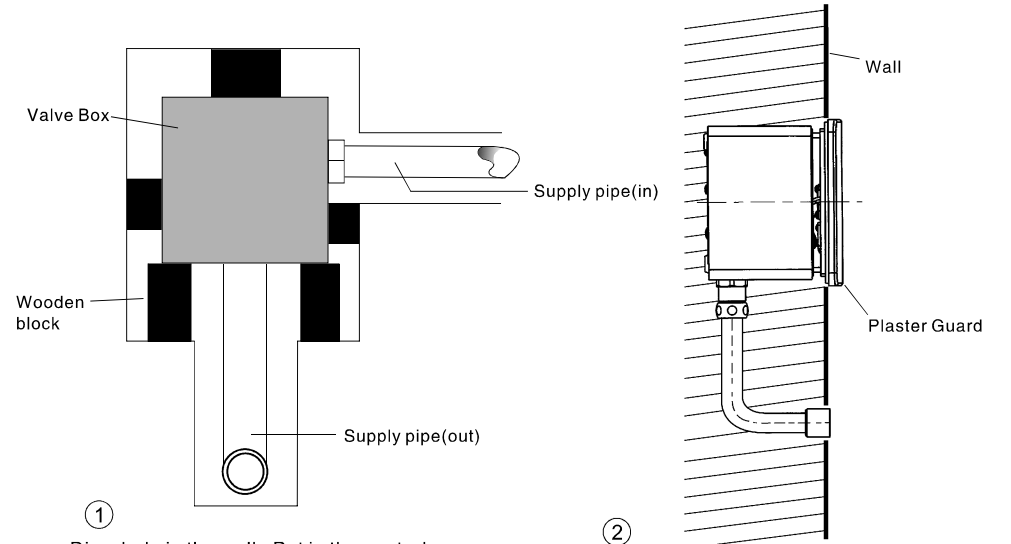
Continuous Twinkle: with this sign, the battery power use out, you must replace a new one.

# Install



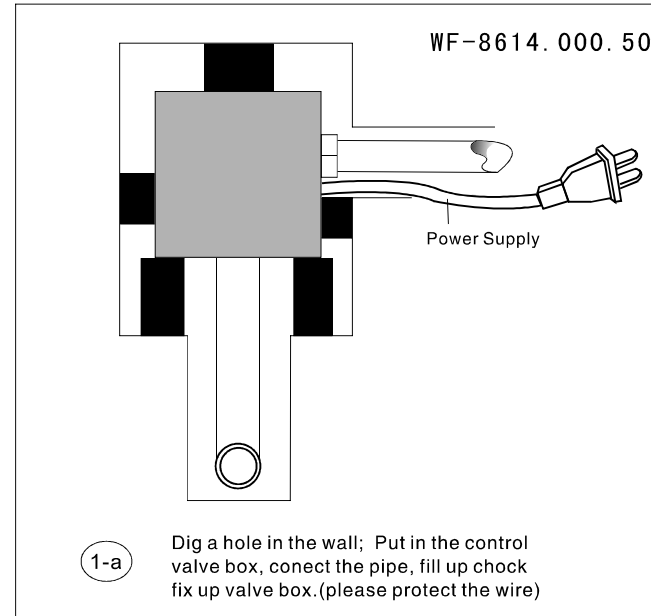
# Install

- \* Before installation, Please consult the water supply pipe sketch, electrical source (AC).
- \* Make sure the installation of battery and don't use the old one with new.



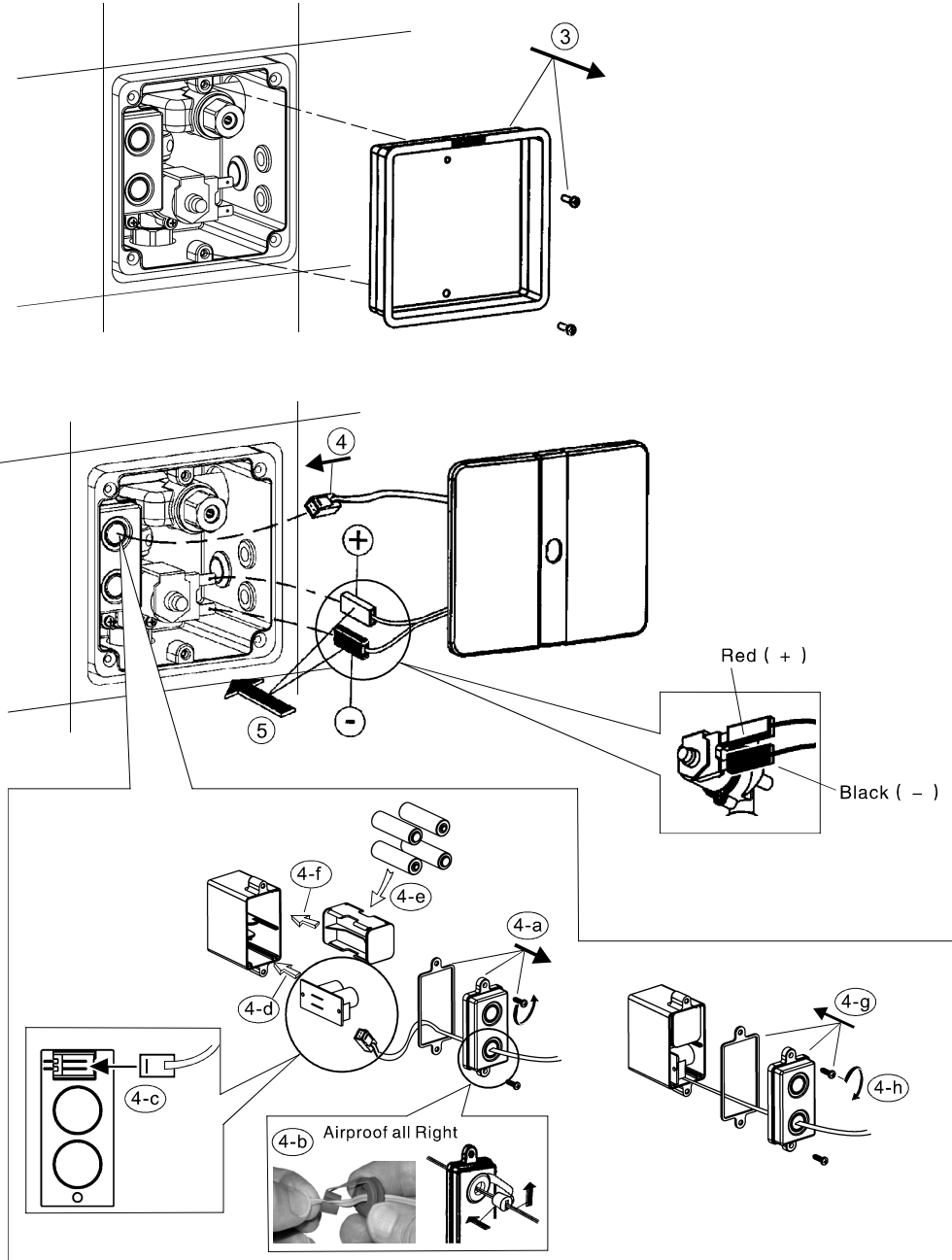
① Dig a hole in the wall; Put in the control valve box, connect the pipe, fill up chock fix up valve box.

② Make sure there is no leakage in all connections, fill up the cement, finish the wall.



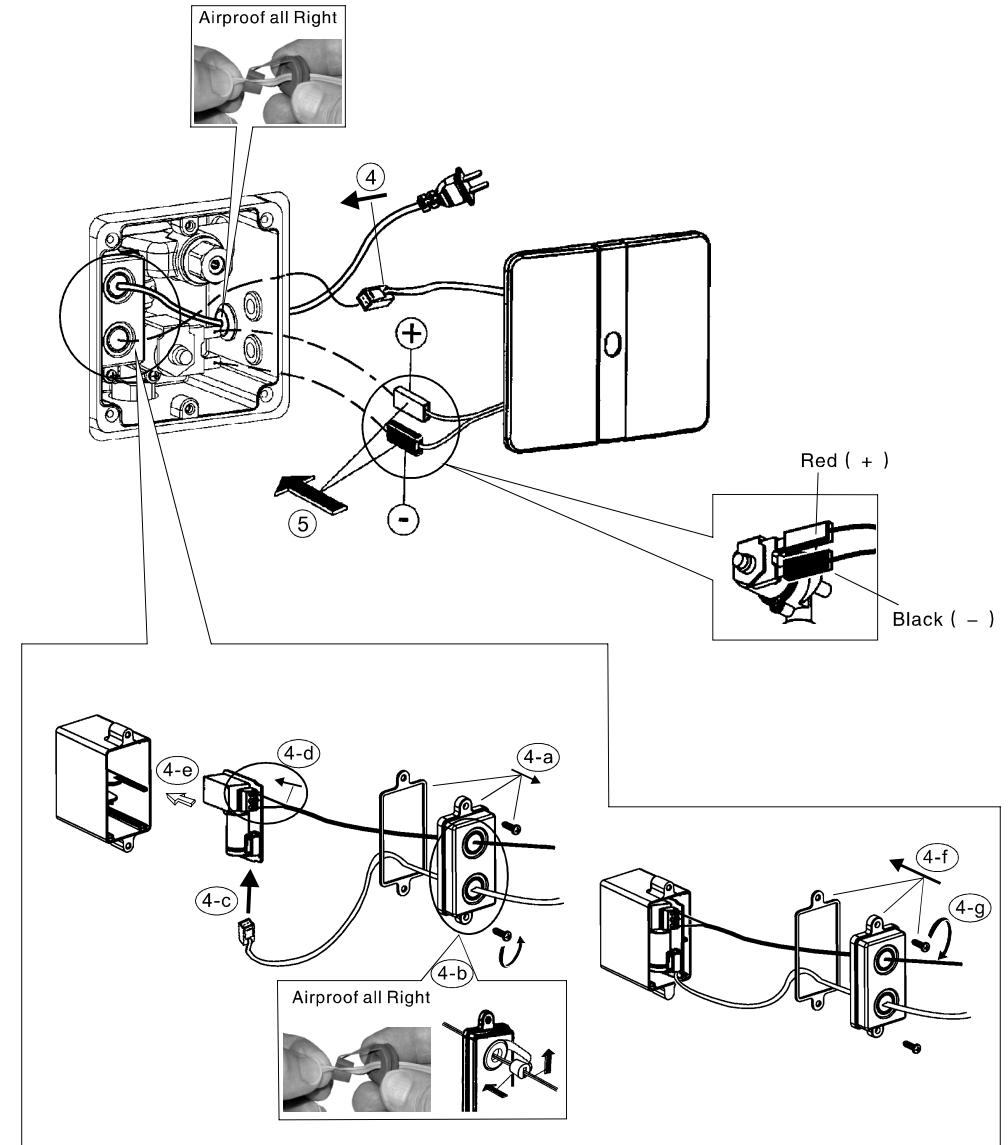
1-a Dig a hole in the wall; Put in the control valve box, connect the pipe, fill up chock fix up valve box. (please protect the wire)

Install ( WF-8604.000.50 )



**Warning:** While the sensor light starts flashing after power is available, nothing should be close to the sensor to avoid changing the default detection range.

Install ( WF-8614.000.50 )



**Warning:** While the sensor light starts flashing after power is available, nothing should be close to the sensor to avoid changing the default detection range.