

Test & Use

1 Test

1. Turn on the water supply and confirm there is no leakage on every connection.
2. Uncover the black label on the sensor window.
3. Read the usage instruction and confirm if the flush valve can work well.

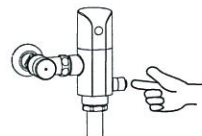
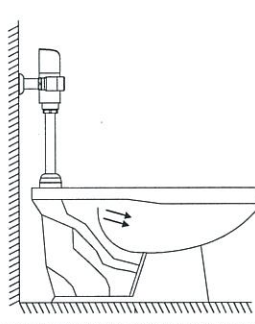
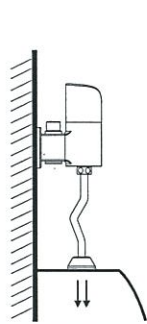
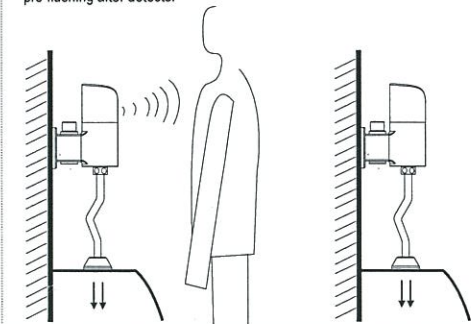
2 Use

* When people enter the detective zone, the flush valve will begin pre-flushing after detects.

* After people leave, flush valve will flush again and then stand by.

* When people enter the detective zone, the flush valve detects but will not flush.

* When people leave, flush valve flush once and then automatically stand by.

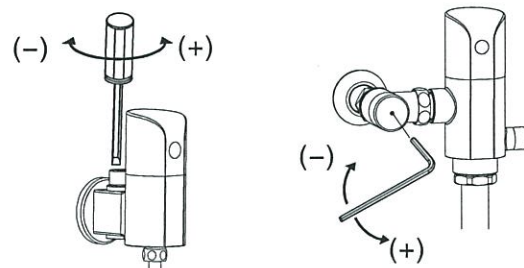


* Toilet flush valve has the manual flush function. When the switch is pressed by hands for about 3 seconds, flush valve will flush once and then stand by.

3 Adjustment of Sensor Distance

- * Disconnect the signal circle on the battery holder and connect it again after a while.
- * When the detective light flashes, stretch the hand in the detective zone 30~50mm; until the detective light stops flash and continues to be on, put the hand in the detective distance (such as 900MM); after the detective light is off, put your hand out of the detective distance. At this time, if you have set the detective distance and test it ok, it can work normally.

4 Adjustment of Stop Valve

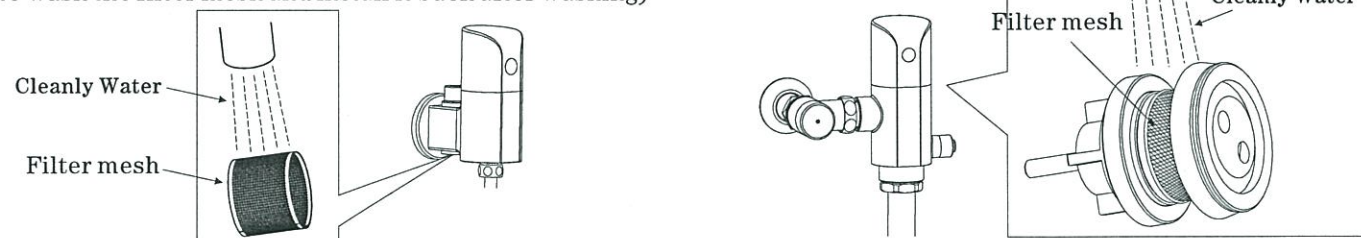


Trouble Shooting Guide

Problem	Reason	Correction
No Detection No Flow	No battery or the battery installed wrong	Install battery and connection power supply
	Something around the sensor is detected all the time	Clean the things around the sensor
Has detection but no flow	The connection is not connected correctly	Check the connection
	The stop valve is closed	Open the stop valve
Low water flow	Something around the sensor is detected all the time	Remove something around the sensor
	The stop valve is not open entirely	Open the stop valve entirely
	The filters are blocked	Clean the filters
	Low water pressure	Contact with water supply department

Care & Maintenance

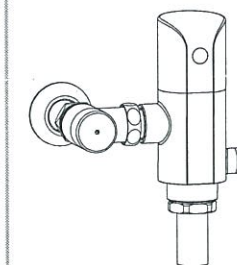
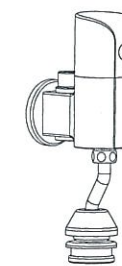
* The impurity will stop the filter mesh after a long time use, so the user needs to wash it before it works normally. (Please take the below drawing as reference to wash the filter mesh and install it back after washing)



Attention Installer:
Leave this information to the customer
after installation is complete

CF-8833.000.50
Selectronic Esposed Sensor Toilet Flush Valve

CF-8834.000.50
Selectronic Esposed Sensor Urinal Flush Valve



American Standard

Installation &
Operation Instructions

Thank you for selecting American-Standard - the benchmark of fine quality for over 100 years. To ensure that your installation proceeds smoothly--please read these instructions carefully before you begin.

* American Standard always keep raising and improving the product design and performance, and reserve the right to modify the dimension and specification. At this case, we will not inform you separately.

* This installation instruction sheet is for your reference only, the dimension and specification is subject to the actual products.

All instruction procedures must comply in strict accordance with applicable local plumbing and building codes

Pre-Installation Checks

- * Installation is carried out by professional people.
- * Before installing the flush valve, the timpurity in the pipe should be cleaned so as to avoid block.
- * The method to clean the surface of the flush valve should refer to <the instruction of Surface protection> so as to avoid the surface damage by wrong methods.
- * In order to reach an idea flush effects, the dimension for inlet hose should be above 25mm. (refer to 8833)
- * Consult the dimension drawing to inspect the installation dimension and ensure the correct installation.

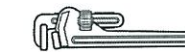
Caution:

- * Don't install the equipment in the place opposite to the sensor products.
- * Don't install the equipment in the place opposite to the stainless steel products and other things with reflective function.

Conditions for use:

- * Recommended water pressure condition: 0.1~0.5Mpa.
- * Environment Temperature: 1~55°C
- * Acceptable Water Temperature: 1~45°C
- * Steam is not allowed to use.

Recommended Tools and Materials



Pipe Wrench



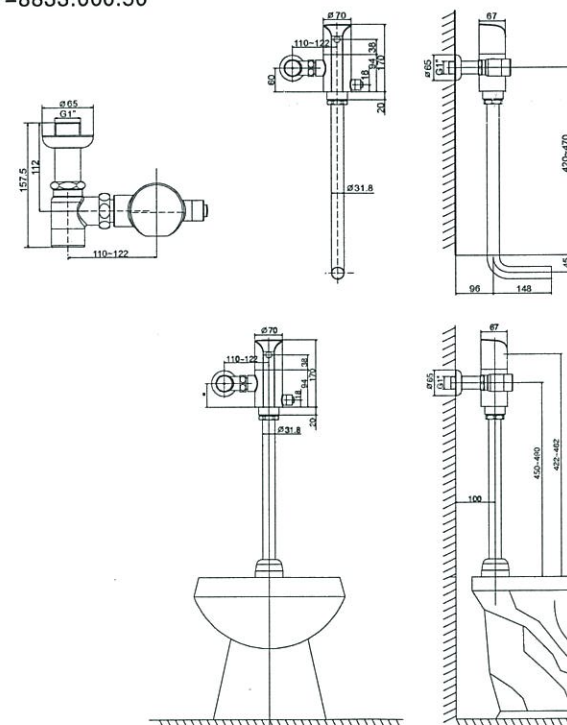
Adjustable Wrench



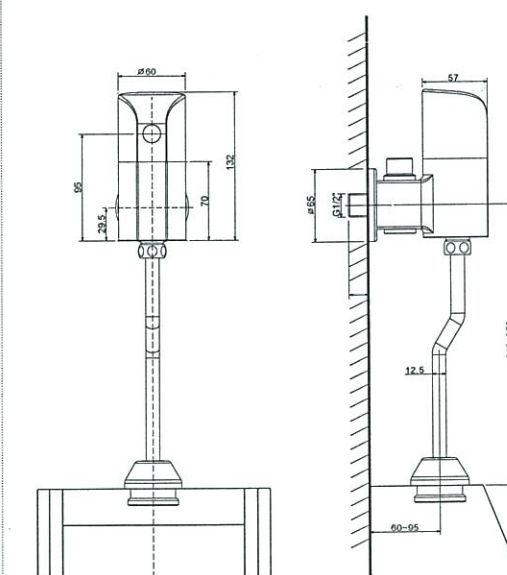
Screwdriver

Dimension

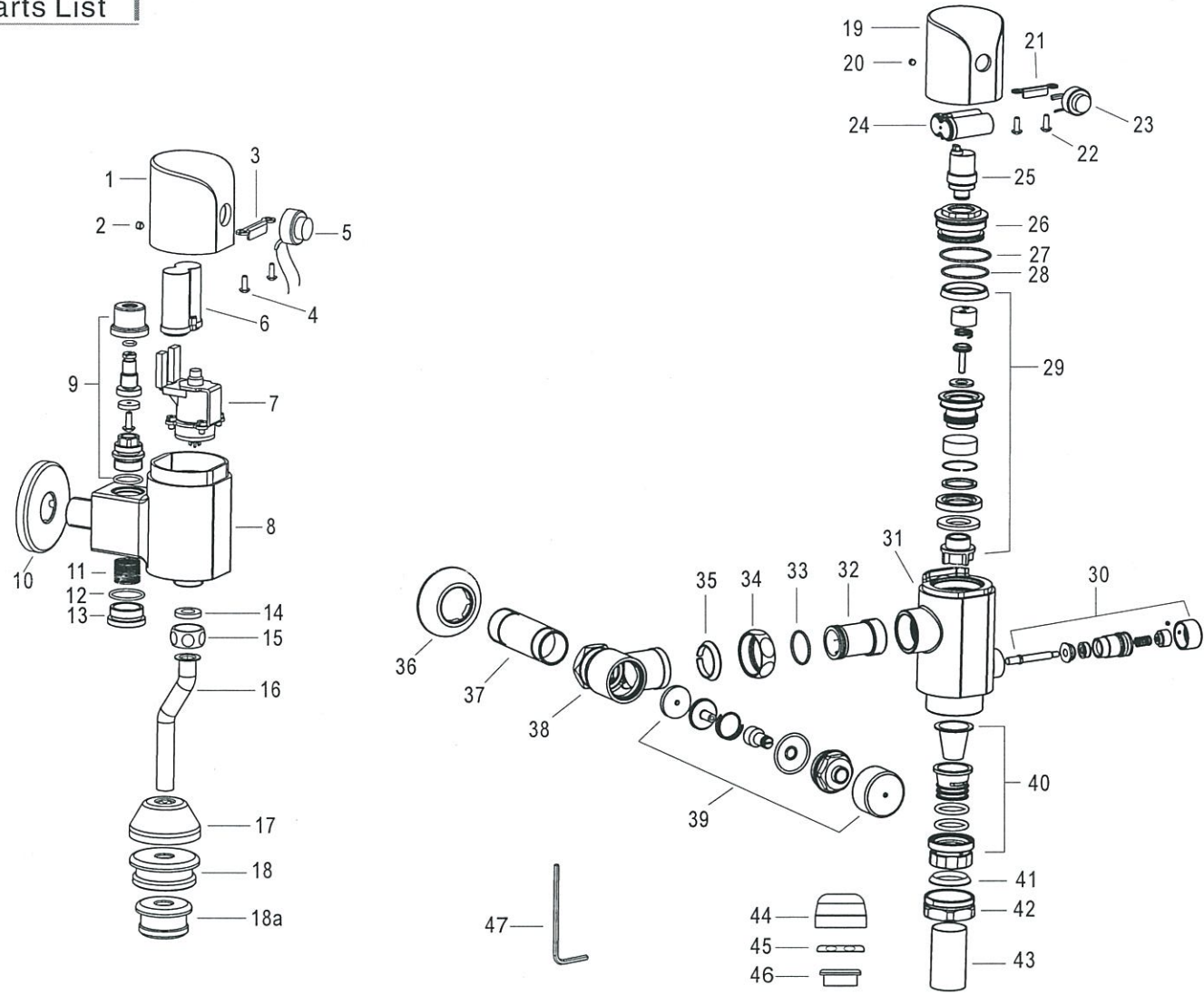
CF-8833.000.50



CF-8834.000.50



Parts List



	No.	Part Name	CF-8833		CF-8834		No.	Part Name	CF-8833		CF-8834		No.	Part Name	CF-8833		CF-8834	
			Q'ty		Q'ty				Q'ty		Q'ty				Q'ty			
Parts List	1	Top	0	1	13	Screw	0	1	24	Battery Box	1	0	36	Escutcheon	1	0		
	2	Screw	0	1	14	Washer	0	1	25	Solenoid Valve	1	0	37	Inlet hose	1	0		
	3	Holder	0	1	15	Nut	0	1	26	Nut	1	0	38	Body	1	0		
	4	Screw	0	2	16	Drainpipe	0	1	27	O-Ring	1	0	39	Check Stop Valve	0			
	5	Sensor	0	1	17	Escutcheon	0	1	28	O-Ring	1	0	40	Stop Valve	1	0		
	6	Battery Box	0	1	18	Washer	0	1	29	Filter	1	0	41	Washer	1	0		
	7	Solenoid Valve	0	1	18a	Washer	0	1	30	Button	1	0	42	Nut	1	0		
	8	Body	0	1	19	Top	1	0	31	Body	1	0	43	Drainpipe	1	0		
	9	Check Stop Valve	1	1	20	Screw	1	0	32	Connect Pipe	1	0	44	Escutcheon	1	0		
	10	Escutcheon	0	1	21	Holder	1	0	33	O-Ring	1	0	45	Nut	1	0		
	11	Filter Screen	0	1	22	Screw	2	0	34	Nut	1	0	46	Washer	1	0		
	12	O-Ring	0	1	23	Sensor	1	0	35	Washer	1	0	47	In-hex Wrench	1	0		

Specification

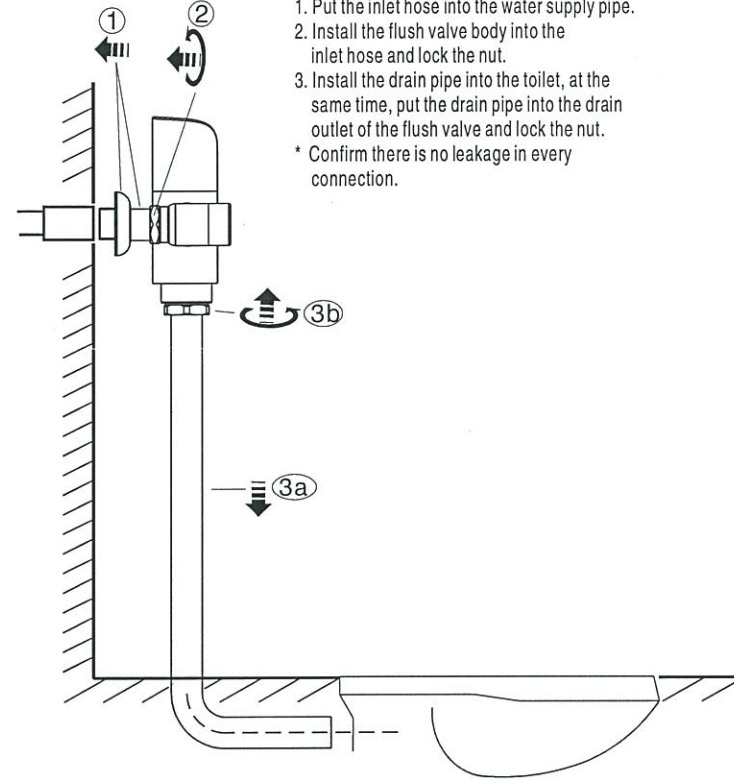
Type	CF-8833.000.50 / CF-8834.000.50	
Power Supply	6V Lithium Battery (refer to 8833/8834)	
Mode of the inducing	Infrared Induction (refer to 8833/8834)	
Detect Time	≥ 5Sec. (refer to 8833/8834)	
Detection Distance	700~1000mm, Default Distance 800mm (refer to 8833) / 600~800mm, Default Distance 600mm (refer to 8834)	
Pressure Requirement	0.1Mpa ~ 0.75Mpa (refer to 8833/8834)	
Supply pipe	G1" (refer to 8833) / G1/2" (refer to 8834)	
Drain pipe	D31.8(brass pipe) (refer to 8833) / D12.5(brass pipe) (refer to 8834)	
Environment Temperature	1°C ~ 55°C (refer to 8833 / 8834)	
Acceptable water temperature	1°C ~ 45°C (refer to 8833 / 8834)	
Flush Time	2 ~ 10Sec. (Regulable) (refer to 8833) / Pre-flush 1.5Sec.; Second flush 8 Sec. (refer to 8834)	
Flush Volume	3 ~ 10L Per Time (0.1Mpa) (Regulable) (refer to 8833) / 2 ~ 4L Per Time (0.1Mpa) (refer to 8834)	
Environment protect	Nobody use 24 hours continuance will auto-flush 6 ~ 7L (refer to 8833) / Nobody use 24 hours continuance will auto-flush 1.5 Sec. (refer to 8834)	
Work Mode	Small flow flush	when the detective time is between 5~90 seconds, it flashes 3 seconds after people leave, the flow volume is 3-4L/time (below 0.1 Mpa) (refer to 8833)
	Complete flow flush	when the detective time is above 90 seconds, it flashes 5 seconds after people leave, the flow volume is 6-7L/time (below 0.1 Mpa) (refer to 8833)

Install

1 Install (8833)

- Before Installation:**
1. Consult the dimension drawing and lay the pipes.
 2. Wash and clean the water supply pipes.

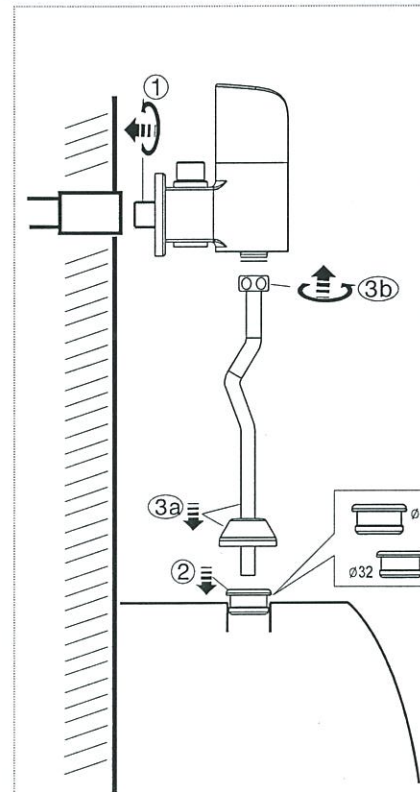
- Install:**
1. Put the inlet hose into the water supply pipe.
 2. Install the flush valve body into the inlet hose and lock the nut.
 3. Install the drain pipe into the toilet, at the same time, put the drain pipe into the drain outlet of the flush valve and lock the nut.
- * Confirm there is no leakage in every connection.



2 Install (8834)

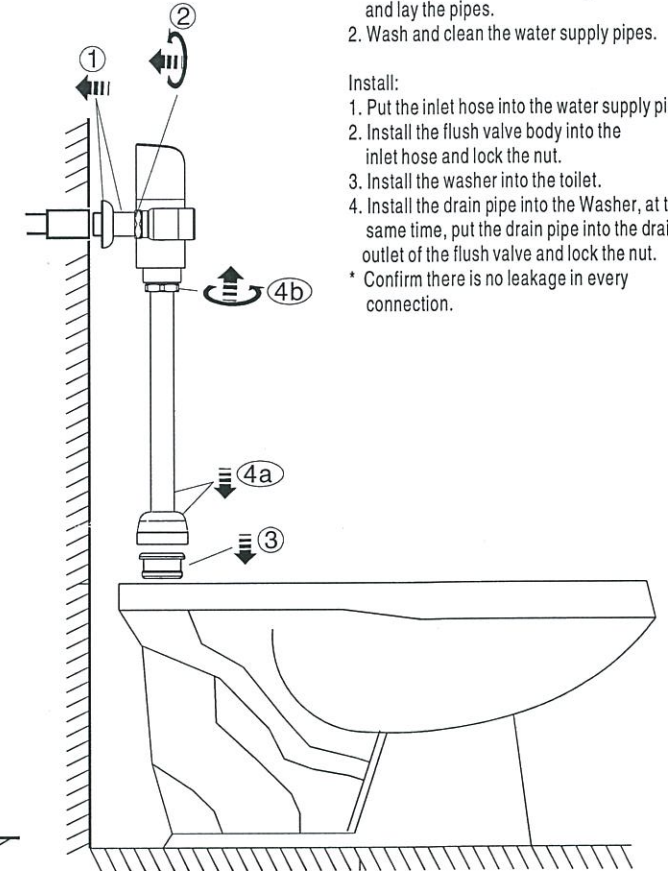
- Before Installation:**
1. Consult the dimension drawing and lay the pipes.
 2. Wash and clean the water supply pipes.

- Install:**
1. Put the inlet hose into the water supply pipe.
 2. Install the flush valve body into the inlet hose and lock the nut.
 3. Install the drain pipe into the toilet, at the same time, put the drain pipe into the drain outlet of the flush valve and lock the nut.
- * Confirm there is no leakage in every connection.



- Before Installation:**
1. Consult the dimension drawing and lay the pipes.
 2. Wash and clean the water supply pipes.

- Install:**
1. Put the inlet hose into the water supply pipe.
 2. Install the flush valve body into the inlet hose and lock the nut.
 3. Install the washer into the toilet.
 4. Install the drain pipe into the Washer, at the same time, put the drain pipe into the drain outlet of the flush valve and lock the nut.
- * Confirm there is no leakage in every connection.



Installation Battery

1. Screw off the Screw.
2. Take the top cover carefully.
3. Take out the battery box.
4. Open the battery box.
5. Install the Battery.
6. Use the screw to lock the battery cover.
7. Install it.

Mark: (8833 as reference)

