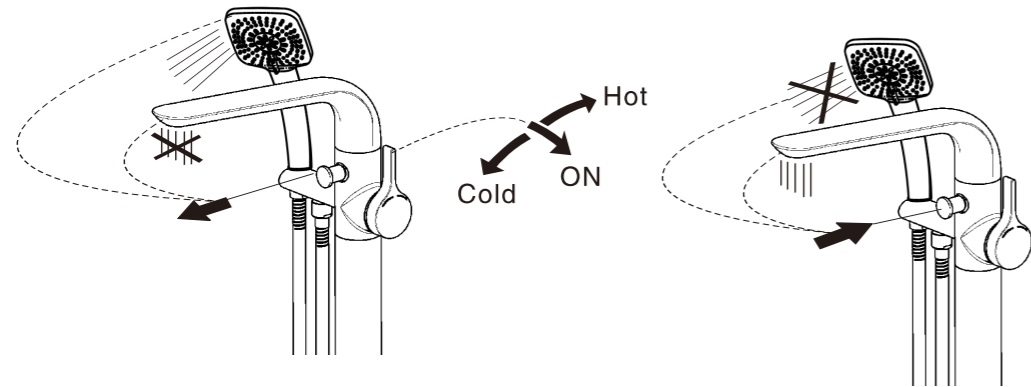


## 6 Test / Use

- \* Move handle down into "off" position. Turn on supply angle valve to check all connections for leak.
- \* Operate handle up and down, left and right to flush water lines thoroughly.

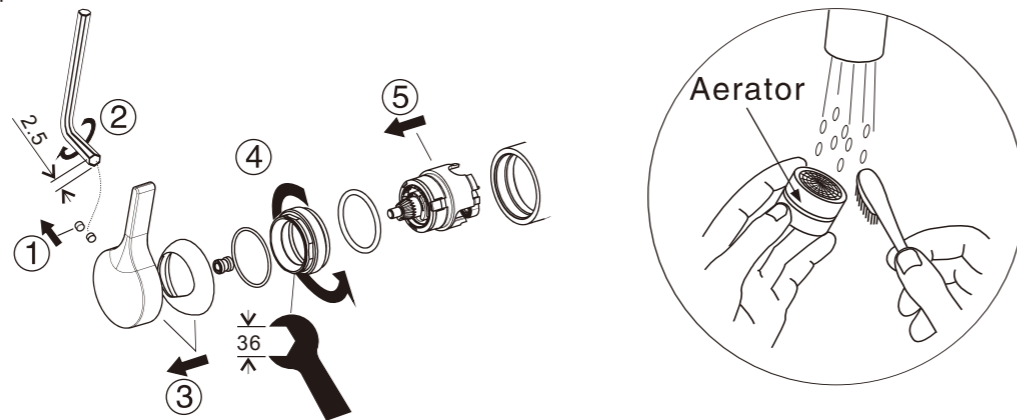
### Use



## 7 Maintenance

If you want to change the parts or clean the inner of faucet, please follow the steps in below to remove the parts, then proceed the next steps.

1. Close Supply Water .
2. Open Up Faucet ( Reference Picture ) .
3. Clean Faucet or Change Component.
4. Reinstall .



## 8 Trouble Shooting

Trouble	Checkpoint	Contents	Action
Poor flow rate	Aerator	Check any impurities.	Remove all impurities.
	Angle valve	Check valve position.	Open it to full valve
	Flexible hose	Check if hose is twisted.	Untwist the hose.
Leakage	Cartridge packing	Check cartridge install.	When packing is damaged, replace the cartridge.
	Hose junction	Check the connection.	Check the existence of packing and wind it up sufficiently
Deviant Temperature	Supply system	Check if the water from angle valve is enough or not	Increase water supply
		Check if the supply pipe connected correct or not	Connect the hot and cold water pipe correctly



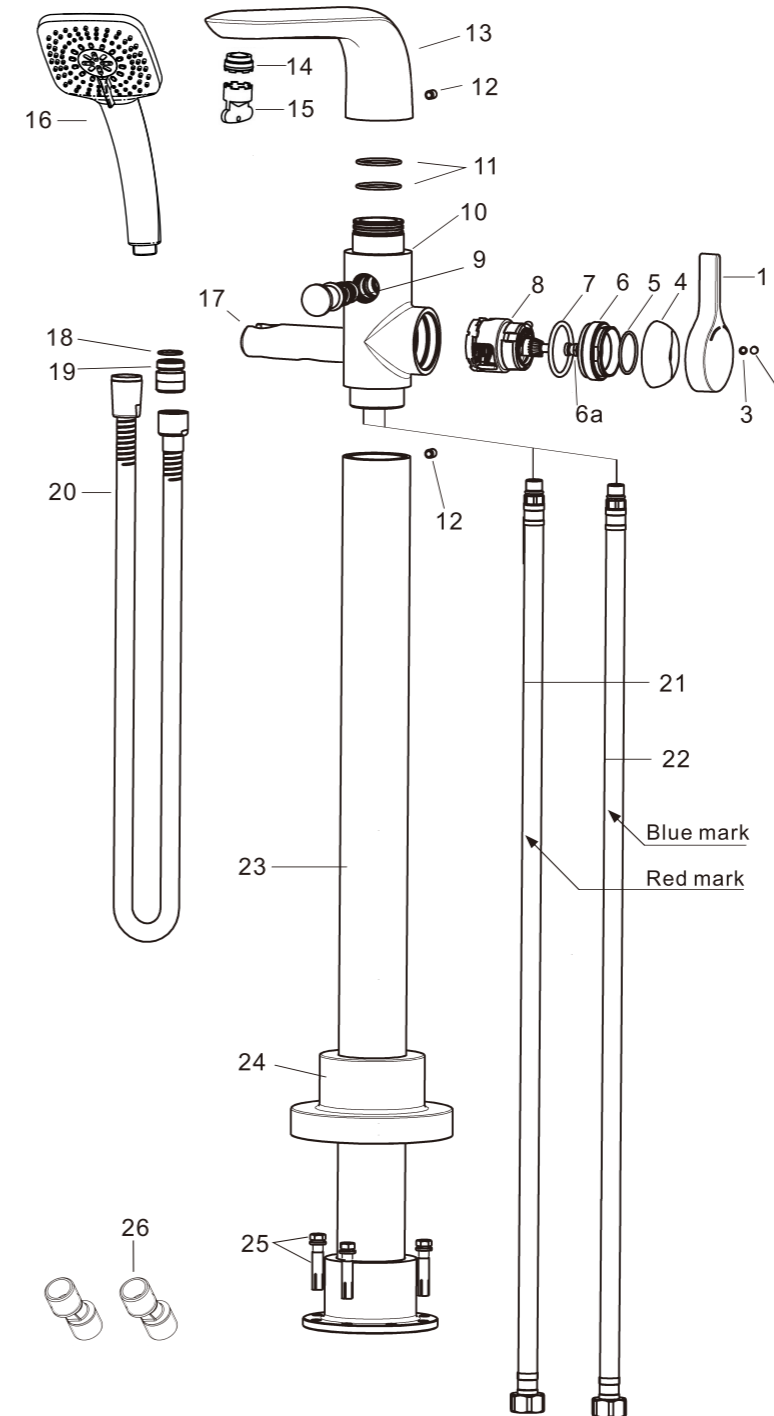
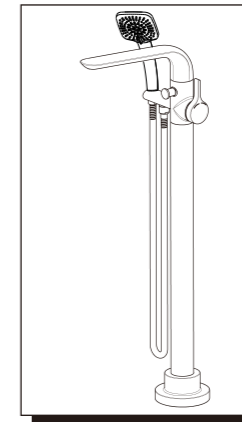
**Attention:**  
Please Leave the manual to the customer after installation is finished.

*American Standard*

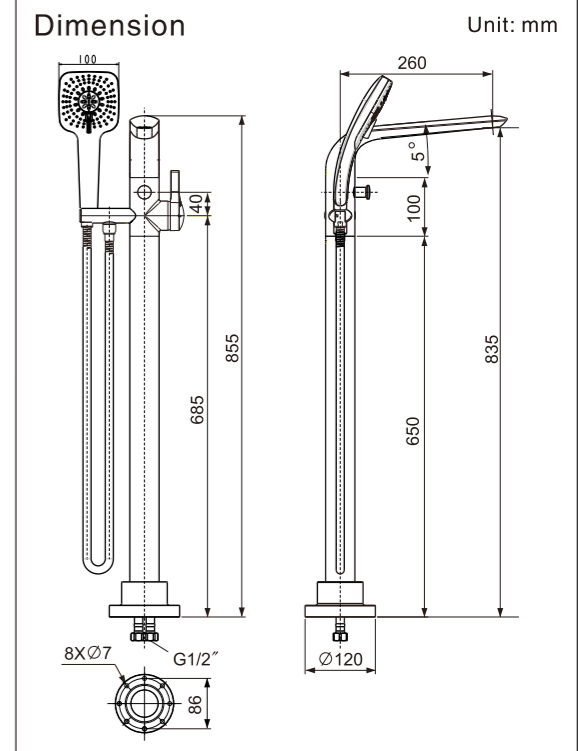
## Installation & Operation Instructions

To ensure that your installation proceeds smoothly, please read this instructions carefully before you begin.

Model:  
FFAS6816-601500BF0  
(WF-6816.601.50)  
IDS S/L Floor Standing Bath Filler



PARTS LIST		
No.	Part Name	Q'ty
1	Handle	1
2	Screw	1
3	Index button	1
4	Cap	1
5	O-Ring	1
6	Nut	1
6a	Bushing	1
7	O-Ring	1
8	Cartridge	1
9	Diverter valve	1
10	Body	1
11	O-Ring	2
12	Screw	2
13	Spout	1
14	Aerator	1
15	Wrench	1
16	Hand shower	1
17	Shower Hanger	1
18	Washer	1
19	Diverter Connector	1
20	Hose	1
21	Hose ( Red )	1
22	Hose ( Blue )	1
23	Brass Tube	1
24	Escutcheon	1
25	Anchor	6
26	Connector	2

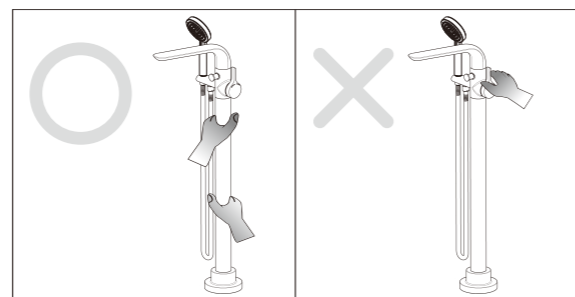


# 1 Note

- \* Remove all impurities from pipes before installation to avoid clogging. Connect faucet pipes correctly. That is, the flexible hose with red mark is for hot water, while the one with blue mark is for cold water.
- \* Check installation distances shown in the dimension diagram to ensure correct installation.

## Conditions for use

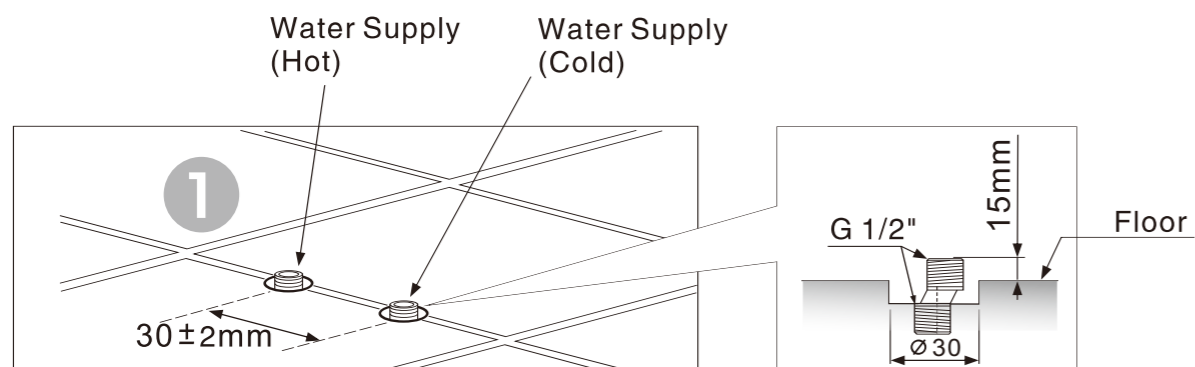
- \* Water pressure condition: 0.05~0.75MPa (Recommended water pressure condition: 0.1~0.5MPa)
- \* Ambient temperature: 1~55°C
- \* Water temperature: 4°C ~ 90°C (Recommended hot water temperature 50~60°C)
- \* Steam should not be used with product.
- \* Note: Ensure water source is clean. Poor water quality can cause cartridge and internal components to clog, resulting in poor volume control and/ or product failure.



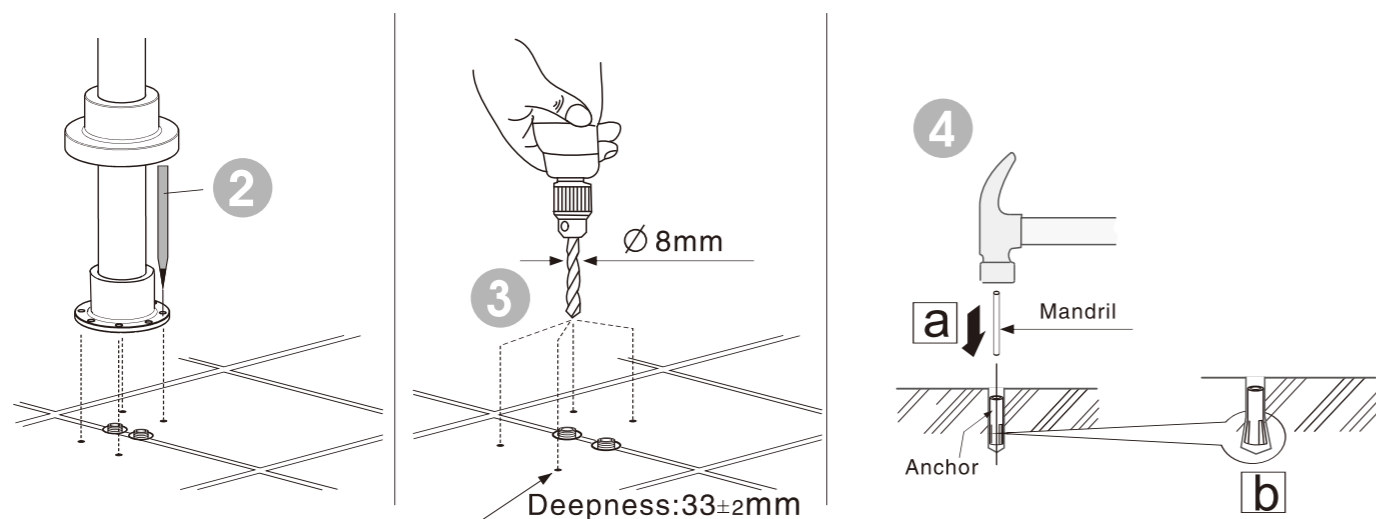
\* Warning: Avoid lifting/ holding product lever only during installation. Instead, hold product spout/ main body.

# 2 Installation

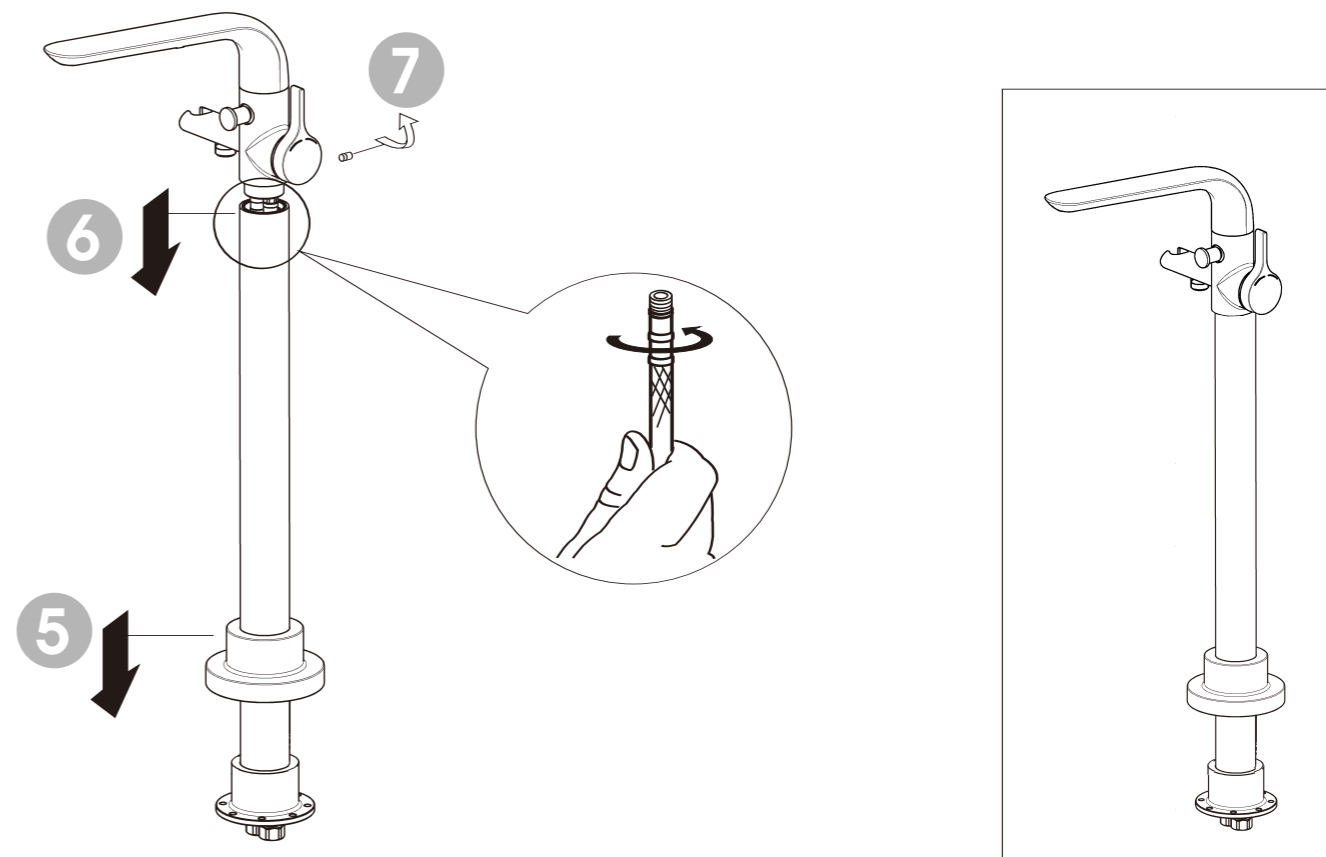
\* Lay water-supply pipe blueprint according to the drawing .



# 3 Installation



# 4 Installation



# 5 Installation

