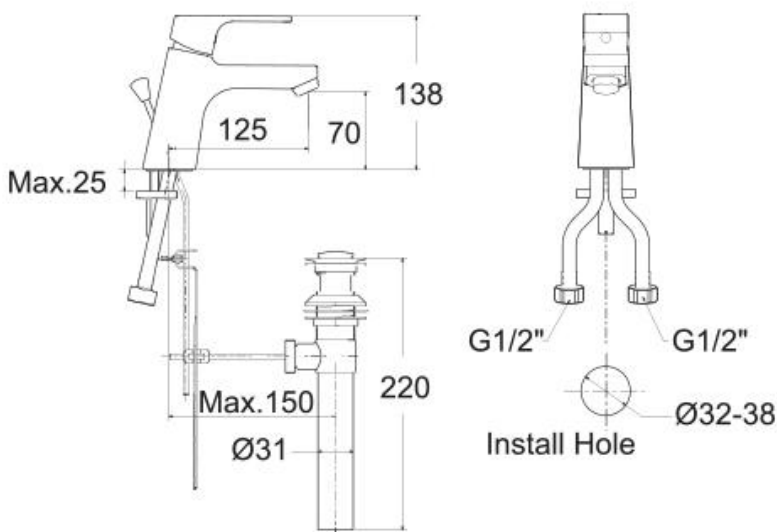


Concept Square

Single-Hole Basin Mixer Faucet
WF-0401.101.50



DIMENSIONAL DRAWING



FEATURES

- Part of Concept Cube Collection
- Ceramic disc valve for a life time use
- Strong brass construction
- Nickel and chromium plating for durable finish
- Pop-up drain included
- Flow Rate @ 0.1 MPa : 3 L/Min

SPECIFICATIONS

- Single-Handle Basin Mixer Faucet
- Single-Hole Installation
- Spout Reach : 125 mm
- Spout Height : 70 mm

FINISHES AVAILABILITY

- Chrome (- CP)

AWARDS WON

- N/A

SHIPPING WEIGHT

- Product weight: 1.87 kg

STANDARDS CRITERIA

- TIS 2067-2552
- GB 18145-2014