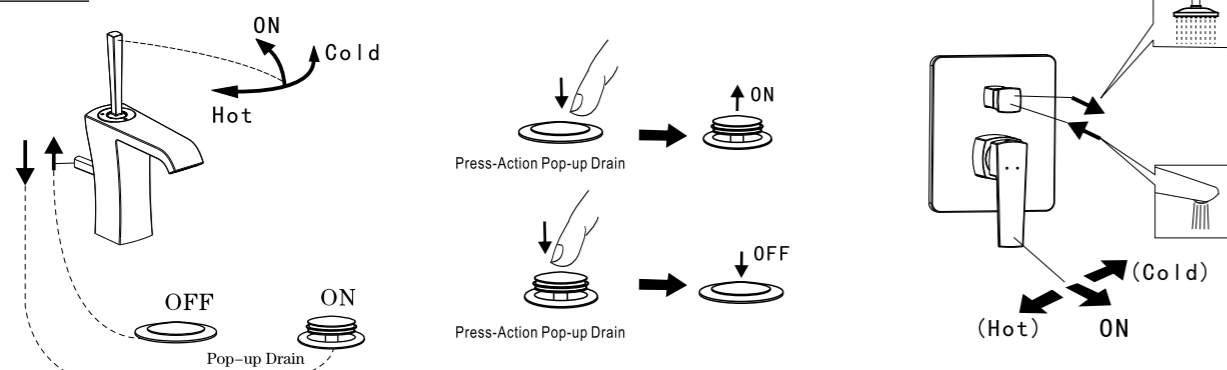


Test / Usage

1 Test

- * Move handle down into "OFF" position. Turn on supply angle valve to check all connections for leak.
- * Operate handle up and down, left and right to flush water lines thoroughly.

2 Usage

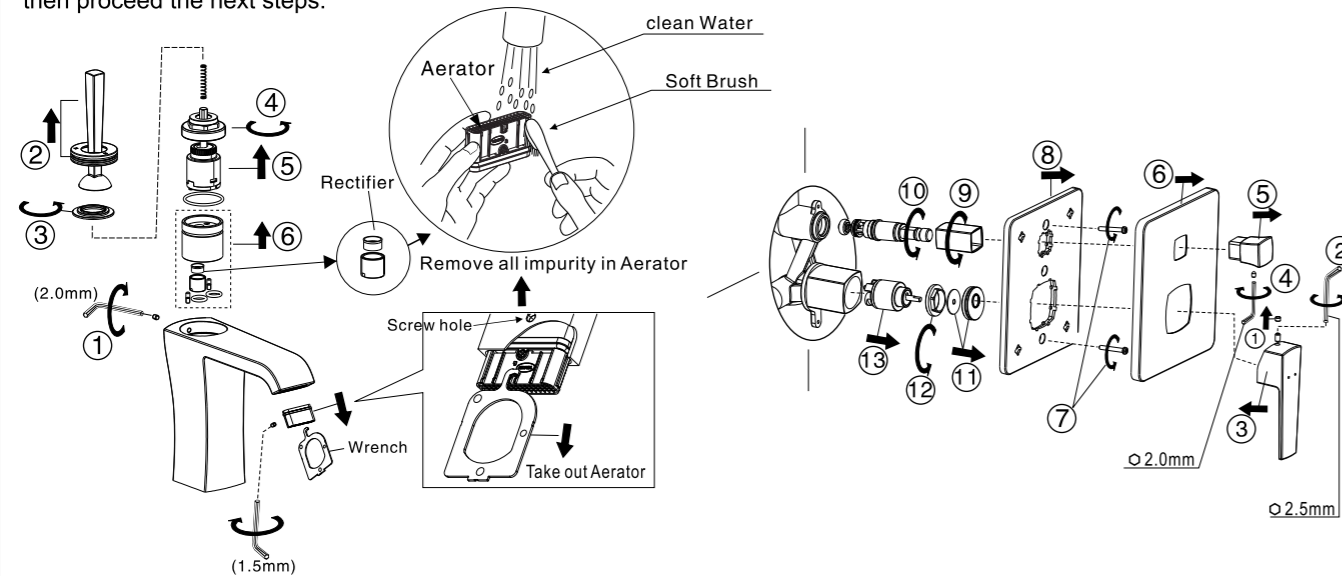


Trouble Shooting Guide

Trouble	Checkpoint	Contents	Action
Poor flow rate	Regulator	Check any impurities.	Remove all impurities.
	Angle valve	Check valve position.	Open it to full valve
	Flexible hose	Check if hose is twisted.	Untwist the hose.
Leakage	Cartridge packing	Check cartridge install.	When packing is damaged, replace the cartridge.
	Hose junction	Check the connection.	Check the existence of packing and wind it up sufficiently
Deviant Temperature	Supply Valve	Check if the water from Supply valve is enough or not	Increase water supply
	Supply system	Check if the supply pipe connected correct or not	Connect the hot and cold water pipe correctly

Care & Maintenance

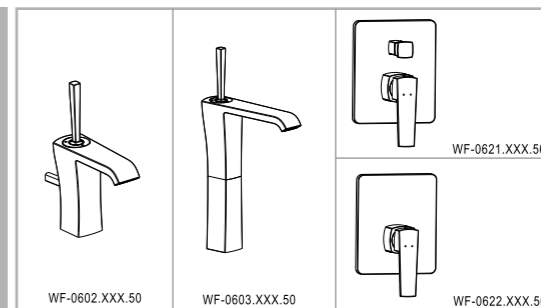
* If you want to change the parts or clean the inner of faucet, please follow the steps in the above to remove the parts, then proceed the next steps.



Attention Installer:
Leave this information to the customer
after installation is complete

Neo Nobile

WF-0602.XXX.50
Joystick Handle Lava Faucet
WF-0603.XXX.50
Joystick Handle Vessel Faucet
WF-0621.XXX.50
Concealed Bath & Shower Mixing Valve
WF-0622.XXX.50
Concealed Shower Only Valve



American Standard

Installation & Operation Instructions

Thank you for selecting American-Standard - the benchmark of fine quality for over 100 years. To ensure that your installation proceeds smoothly--please read these instructions carefully before you begin.

- * American Standard always keep raising and improving the product design and performance, and reserve the right to modify the dimension and specification. At this case, we will not inform you separately.
 - * This installation instruction sheet is for your reference only, the dimension and specification is subject to the actual products.
- All instruction procedures must comply in strict accordance with applicable local plumbing and building codes

Pre-Installation Checks

- * Remove all impurity in pipes before beginning to avoid clogging. Connect faucet pipes correctly. Make sure the cold water hose is connected to the right side and the hot water hose to the left.
- * Check installation distances in the Dimension diagram to ensure correct installation.

Conditions for use

- * Recommended water pressure condition: 0.1~0.5Mpa.
- * Environment Temperature: 1~55°C
- * Steam is not allowed to use.
- * The cold and hot water pipes must not be reserved.

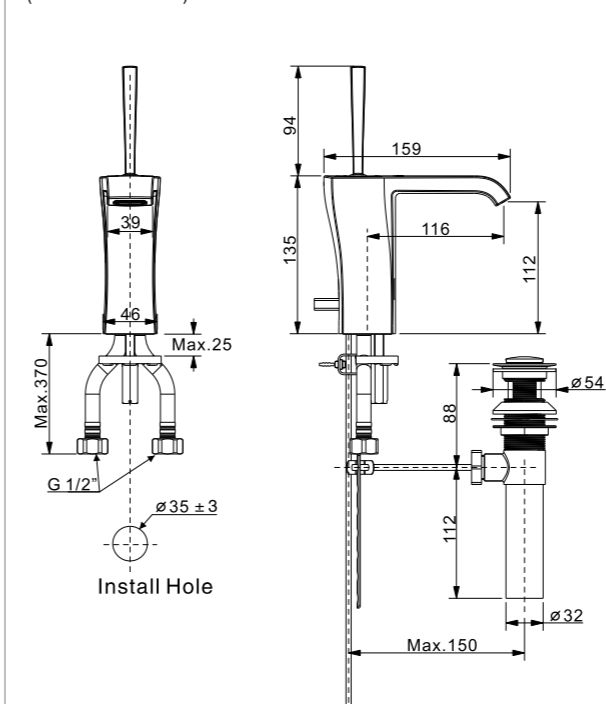
When in the process of installation, grab the whole body. Do not grab handle only.

Recommended Tools and Materials

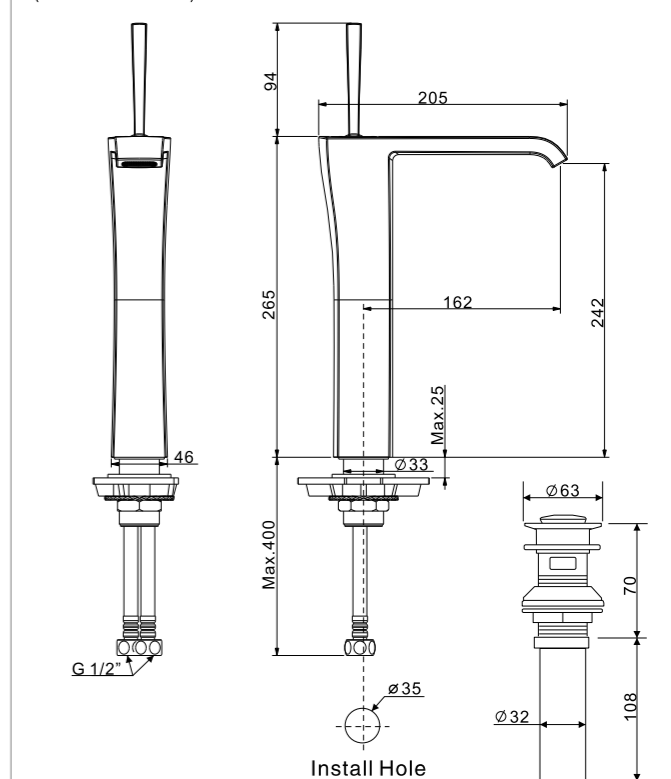


Dimension

(WF-0602.XXX.50)

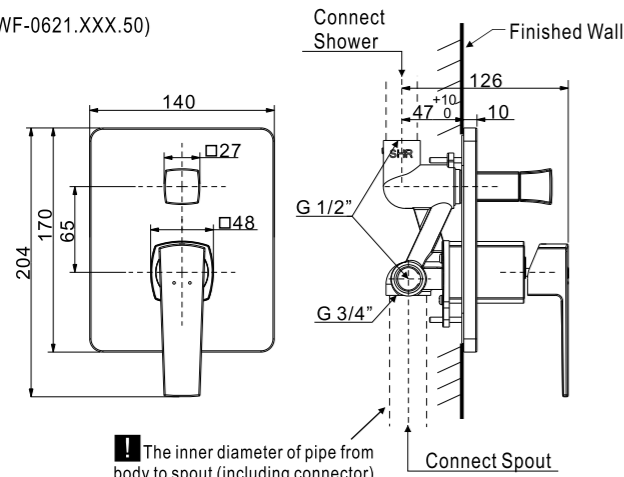


(WF-0603.XXX.50)



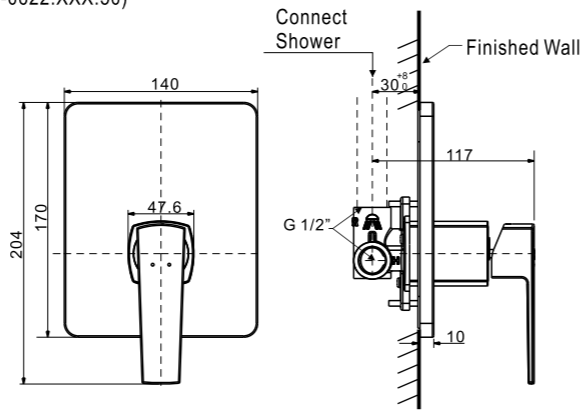
Dimension

(WF-0621.XXX.50)

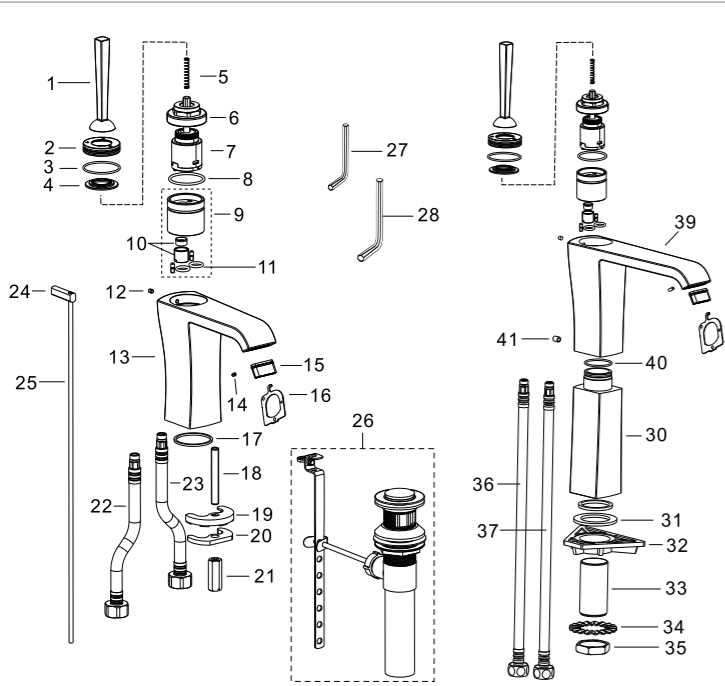


1 The inner diameter of pipe from body to spout (including connector) need to be more than 13mm

(WF-0622.XXX.50)

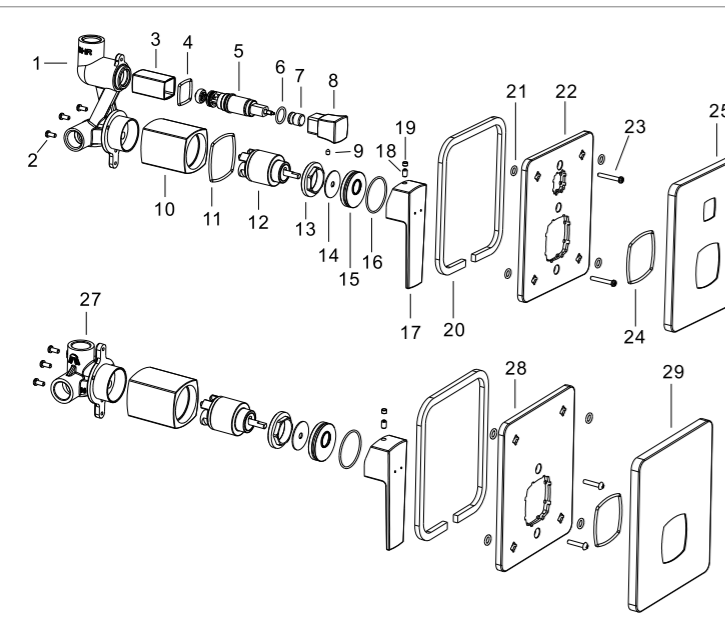


Parts List



(WF-0602.XXX.50) / (WF-0603.XXX.50)

Parts List		
No.	Part Name	Q'ty
1	Handle Lever	1
2	Cap	1
3	O-Ring	1
4	Bushing	1
5	Spring	1
6	Nut	1
7	Cartridge	1
8	O-Ring	1
9	Base	1
10	Rectifier	1
11	O-Ring	1
12	Screw	1
13	Body	1
14	Screw	1
15	Aerator	1
16	Aerator Wrench	1
17	washer	1
18	Shank	1
19	Washer	1
20	Washer	1
21	Nut	1
22	Hose(Blue)	1
23	Hose(Red)	1
24	Pop-up Knob	1
25	Pop-up rod	1
26	Pop-up Drain	1
27	In-hex Wrench(1.5mm)	1
28	In-hex Wrench(2.0mm)	1
29	In-hex Wrench(3.0mm)	0
30	Lengthen pipe	0
31	Washer	0
32	Washer	0
33	Shank	0
34	Washer	0
35	Nut	0
36	Hose(Blue)	0
37	Hose(Red)	0
38	Press-Action Drain	0
39	Body	0
40	O-Ring	0
41	Screw	0

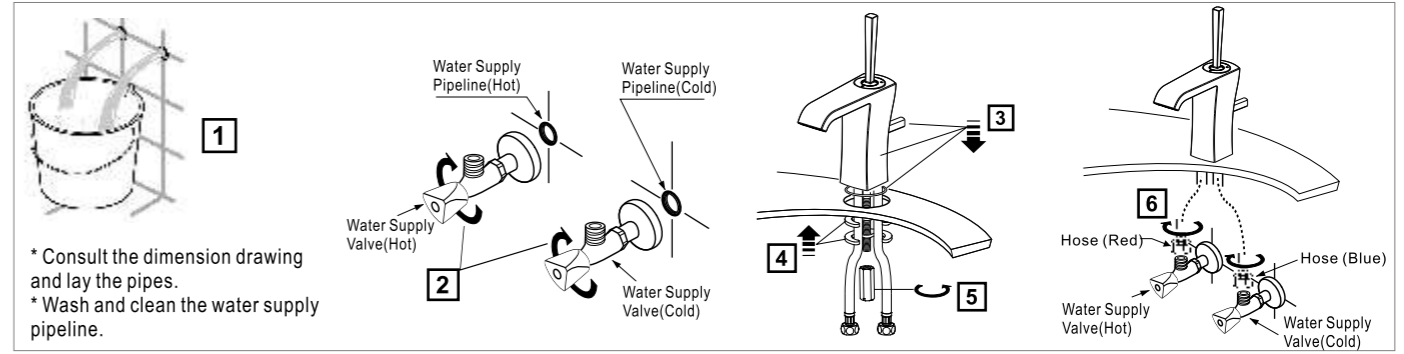


(WF-0621.XXX.50) / (WF-0622.XXX.50)

Parts List		
No.	Part Name	Q'ty
1	Body	1
2	Screw	3
3	Brass pipe	1
4	O-Ring	1
5	Diverter Cartridge	1
6	O-Ring	1
7	Bushing	1
8	Diverter Handle	1
9	Screw	1
10	Brass pipe	1
11	O-Ring	1
12	Cartridge	1
13	Nut	1
14	Washer	1
15	Cap	1
16	O-Ring	1
17	Handle	1
18	Screw	1
19	Index Button	1
20	Washer	1
21	O-Ring	4
22	Plank	1
23	Screw	2
24	O-Ring	1
25	Escutcheon	1
26	Cover	1
27	Body	0
28	Plank	0
29	Escutcheon	0
30	Cover	0
31	In-hex Wrench(2.0mm)	1
32	In-hex Wrench(2.5mm)	1

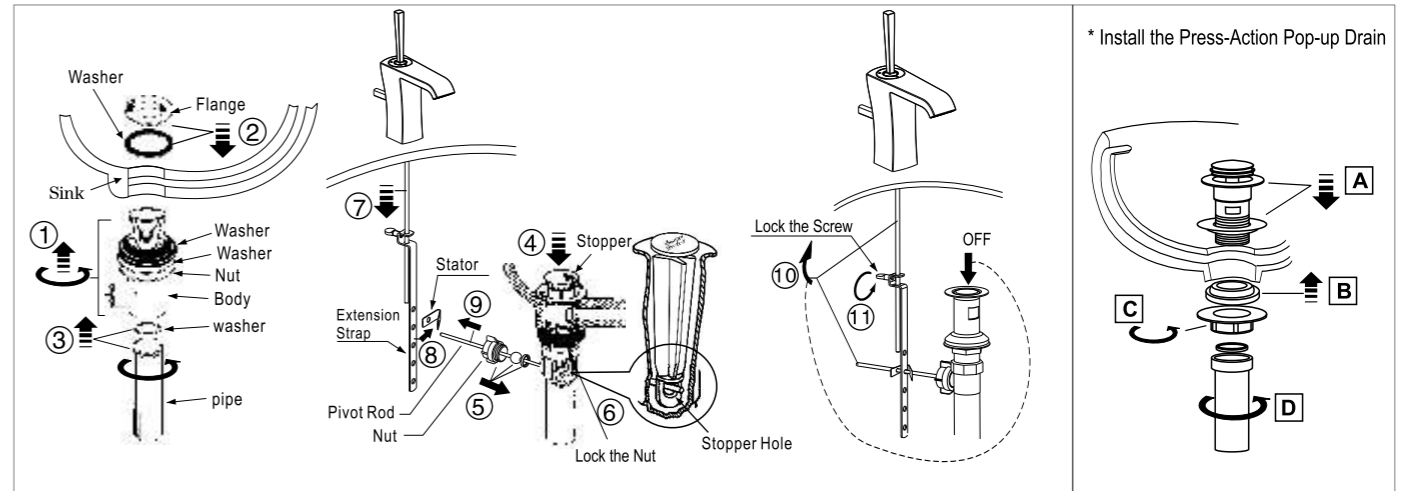
Install-1 (WF-0602.XXX.50 / WF-0603.XXX.50)

1 Install Faucet



* Consult the dimension drawing and lay the pipes.
* Wash and clean the water supply pipeline.

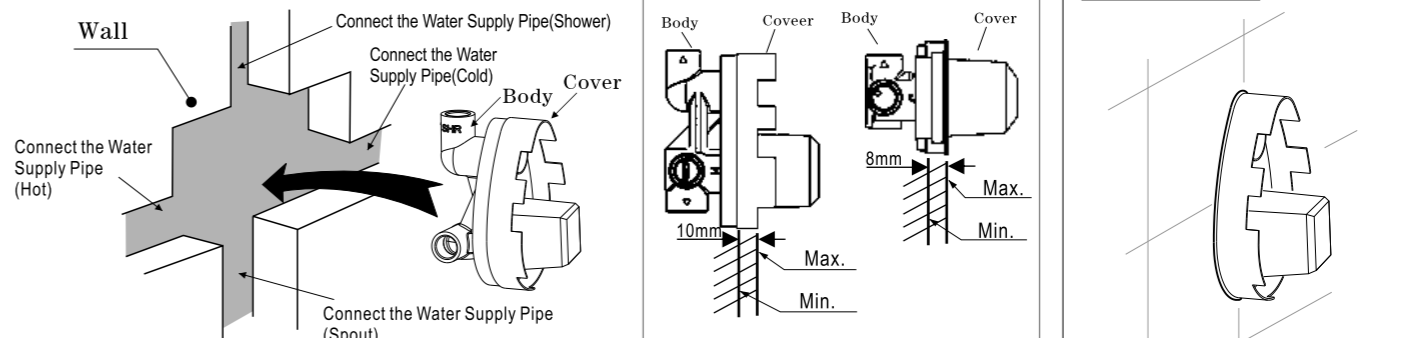
2 Install the Pop-up Drain



* Install the Press-Action Pop-up Drain

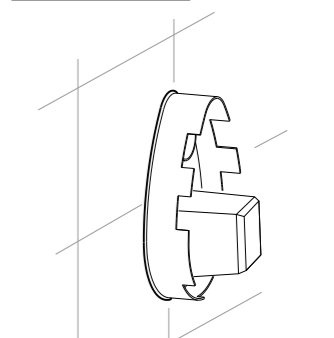
Install-2 (WF-0621.XXX.50 / WF-0622.XXX.50)

1 Put the Body, Connect the pipeline



* Consult the dimension drawing and lay the pipes.
* Before installation, Wash and clean the water supply pipes.

2 Finish Wall



* confirm there is no leakage in every connection.
* Finish the Wall

3 Install the Escutcheon & Handle

