

## Care & Maintenance

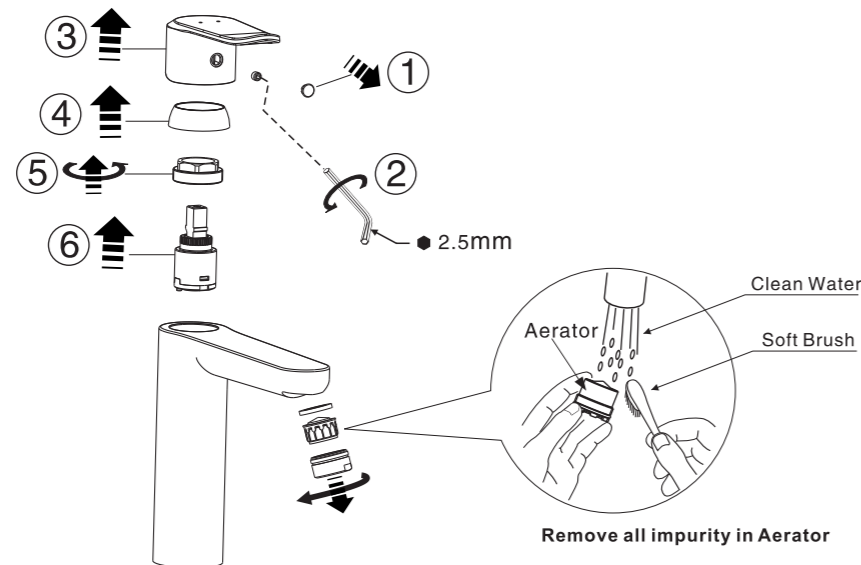
### Repairing

\* When you repair the faucet, you need to shut off water supply.

### Cleaning the surface of faucet

- \* Rinse the product with clean water.
- \* Dry with soft cotton flannel cloth.
- \* Do not clean the product with acid, polish, abrasives, harsh cleaners, or cloth with a harsh surface as these products may damage the finish.

If you want to change the parts or clean the inner of faucet, please follow the steps in the above to remove the parts, then proceed the next steps.



## Term of Guarantee

\* One year for "O" rings or washers. Five years for Chrome plate Body of tap or faulty workmanship  
Lifetime drip free warranty on Cartridge.

\* Except:

- Trouble caused by disasters or user's carelessness.
- If leakage is caused by connection problem with 3rd party products or non approved parts.

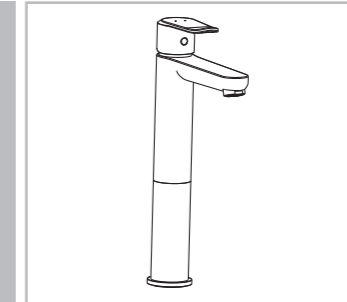


**Attention:**  
Please leave the manual with the customer  
after installation is finished.

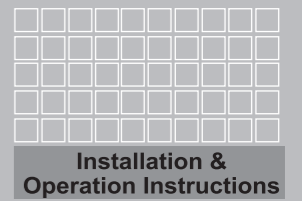
## Neo Modern

**FFAS0703-101500BF0**

Single Hole Vessel Mixer



American Standard



**Thank you for selecting American-Standard - the benchmark of fine quality for over 100 years.**  
**To ensure that your installation proceeds smoothly--please read these instructions carefully before you begin.**

\* American Standard always keep raising and improving the product design and performance, and reserve the right to modify the dimension and specification. At this case, we will not inform you separately.  
\* This installation instruction sheet is for your reference only, the dimension and specification is subject to the actual products.  
All instruction procedures must comply in strict accordance with applicable local plumbing and building codes

## Pre-Installation Checks

- \* **Remove all impurity in pipes before beginning to avoid clogging. Connect faucet pipes correctly.**
- \* **Check installation distances in the Dimension diagram to ensure correct installation.**

### Conditions for use

- \* **Recommended water pressure condition: 0.1~0.5Mpa.**
- \* **Environment Temperature:1~55°C**
- \* **Steam is not allowed to use.**

**When in the process of installation, grab the whole body. Do not grab handle only.**

## Recommended Tools and Materials



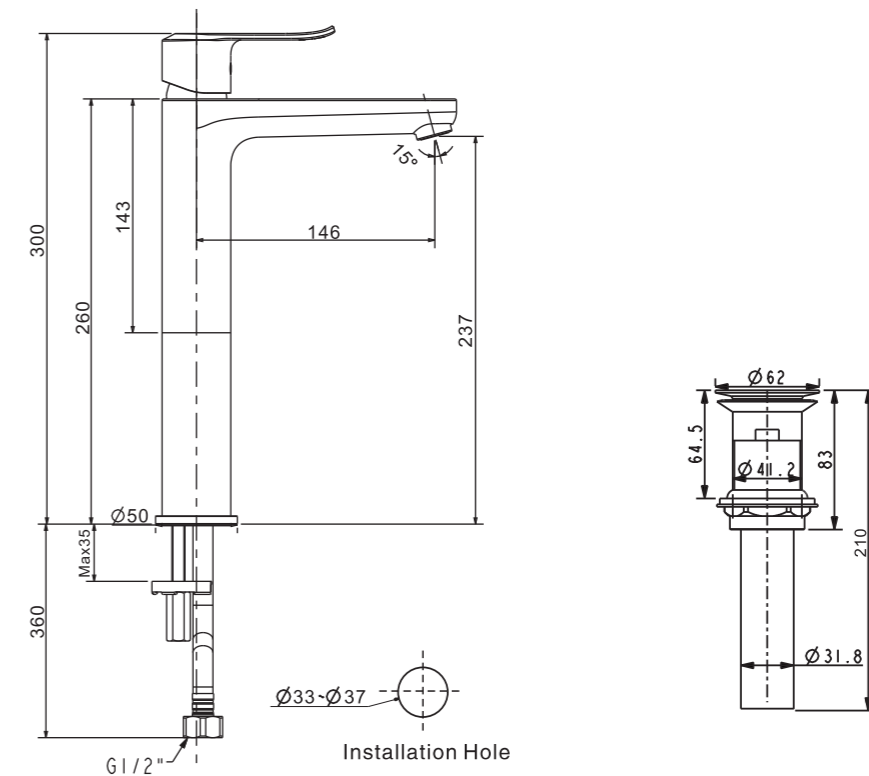
Adjustable Wrench



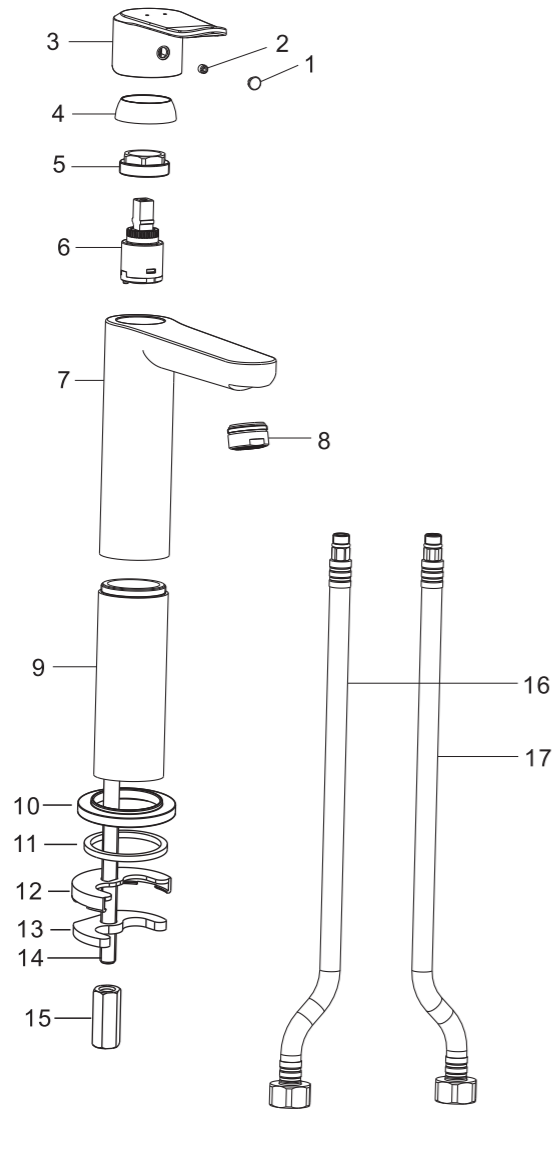
Tape Measure

## Dimension

unit:mm

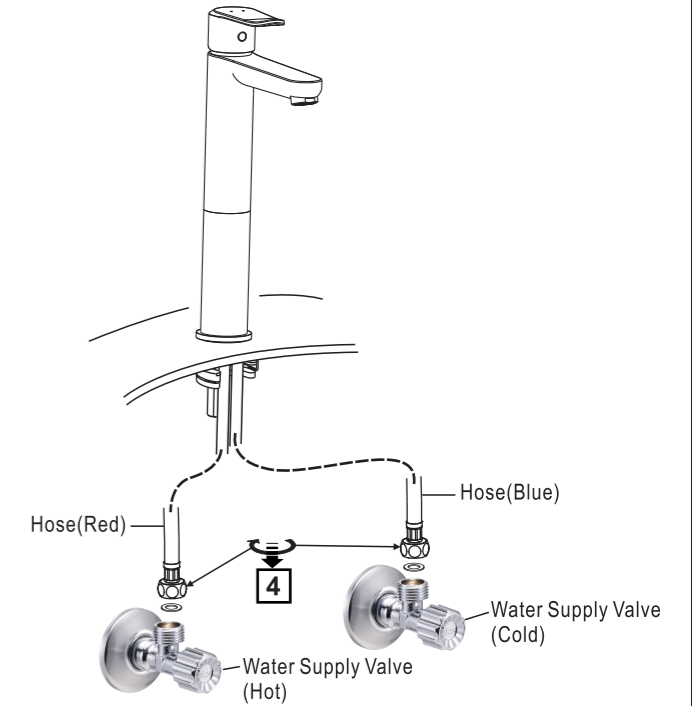
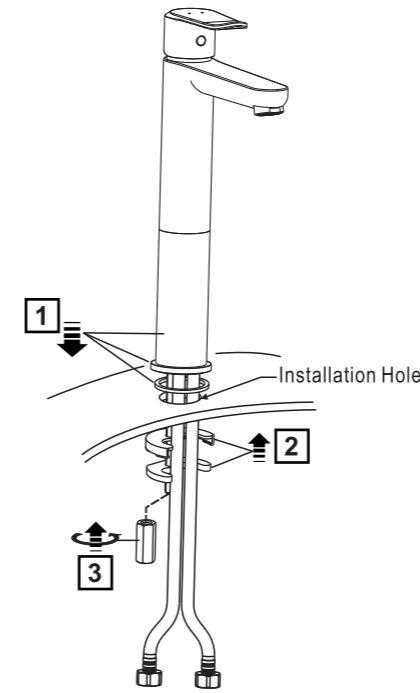


## Parts List



Parts List		
No.	Part Name	Q'ty
1	Index Button	1
2	Screw	1
3	Handle	1
4	Cap	1
5	Nut	1
6	Cartridge	1
7	Body	1
8	Aerator	1
9	Pipe	1
10	Escutcheon	1
11	Washer	1
12	Washer	1
13	Washer	1
14	Shank	1
15	Nut	1
16	Hose(Red)	1
17	Hose(Blue)	1
18	Drainer	1

## Installation

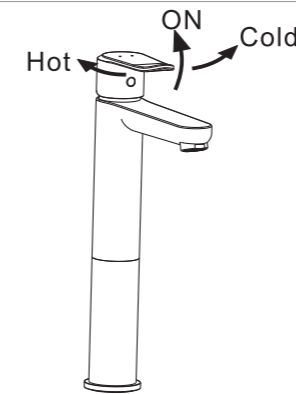


## Test / Usage

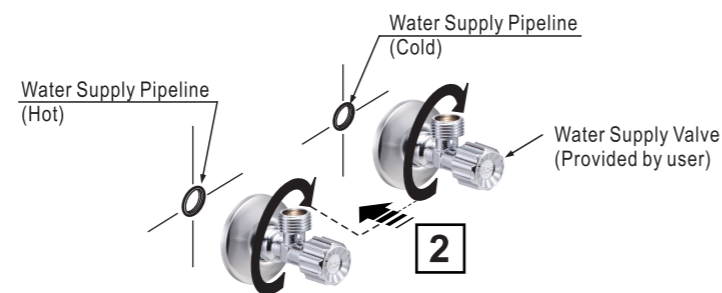
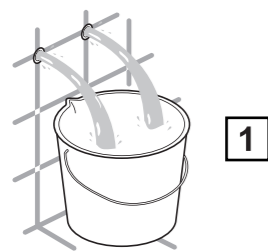
### 1 Test

- \* Move handle down into "OFF" position. Turn on supply angle valve to check all connections for leak.
- \* Operate handle up and down, left and right to flush water lines thoroughly.

### 2 Usage



## Preparation



- \* Consult the dimension drawing and lay the pipes.
- \* Wash and clean the water supply pipeline.

## Trouble Shooting Guide

Trouble	Checkpoint	Contents	Action
Poor flow rate	Aerator	Check any impurities.	Remove all impurities.
	Water supply valve	Check valve position.	Open it to full valve
	Flexible hose	Check if hose is twisted.	Untwist the hose.
Leakage	Cartridge packing	Check cartridge install.	When packing is damaged, replace the cartridge.
	Hose junction	Check the connection.	Check the existence of packing and wind it up sufficiently
Deviant Temperature	Supply valve	Check if the water from supply valve is enough or not	Increase water supply