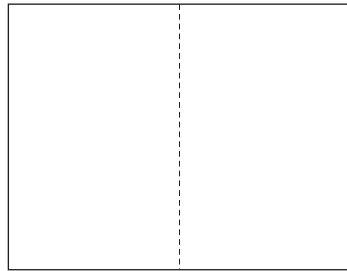
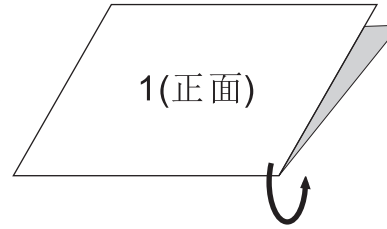


Tolerance, Unless Otherwise Stated. Is	
Above 0.5 to and including 6	±0.1
Excess 6 to and including 30	±0.2
Excess 30 to and including 120	±0.3
Excess 120 to and including 315	±0.5
Excess 315 to and including 1000	±0.8
Excess 1000 to and including 2000	±1.2



1. 说明书双面印刷完成  
(297x210=A4) 共1页



2. 说明书折叠完成

**制作说明:**

1. 说明书完成的尺寸: 148\*210
2. 材料: 80克的白色纸
3. 印刷说明: 说明书为297x210(A4) 双面印刷, 并折叠成148x210大小完成(详看图示)
4. 印刷颜色: 黑白
5. 印刷时, 内容准确, 清晰, 墨色均匀, 表面清洁。

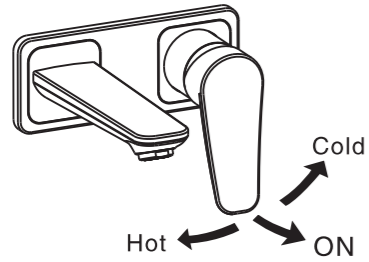
				DESIGN			TITLE	<b>Instructions</b>	
				CHECKED			REF	英文泰国说明书	
				APPROVED				FFAS0904-1T2501BT0	
				SCALE	MATERIAL	WEIGHT	DWG NO.	Milano In-Wall Basin Mixer	
A2	改为新AS Logo <i>American Standard</i>	2017.07		1:1			FF1-CN521K00048599	<i>American Standard</i>	
A1	泰国要求更新说明内容	2016.10							
REV	DESCRIPTION	DATE	NAME						

## Test / Usage

### 1 Test

- \* Turn handle to "OFF" position. Open water supply valve to check all connections for leakage;
- \* Turn handle to "ON" position. Check the water flow .

### 2 Usage

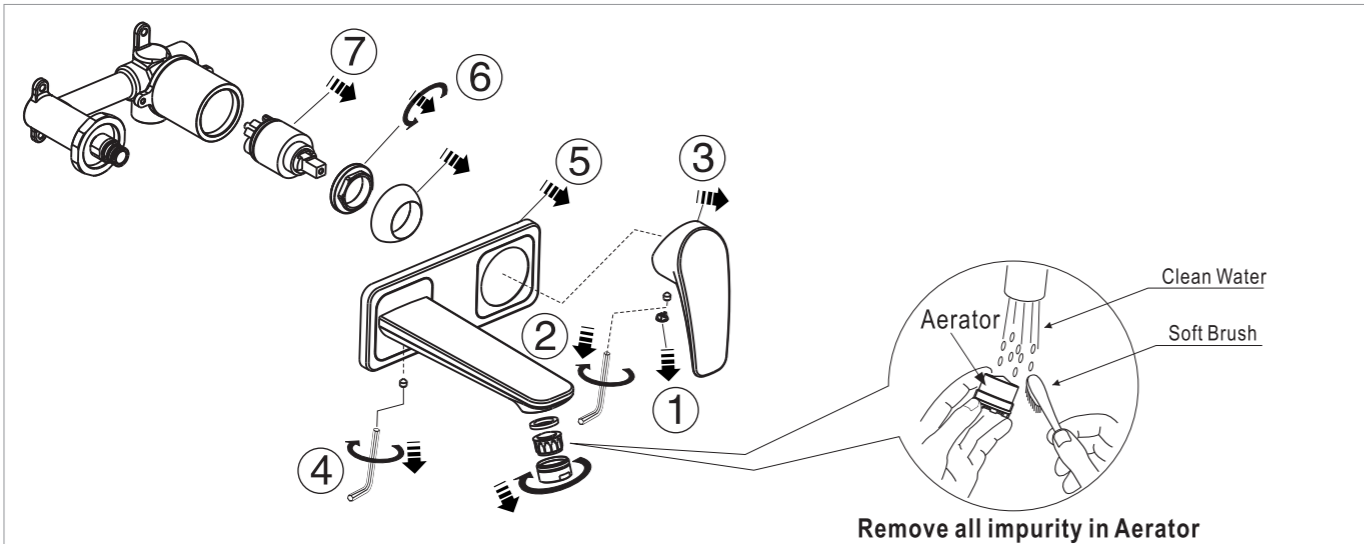


## Trouble Shooting Guide

Trouble	Checkpoint	Contents	Action
Poor flow rate	Aerator	Check any impurities.	Remove all impurities.
	Water supply valve	Check water supply valve open position.	Open it to full water supply valve
Leakage	Cartridge	Check cartridge packing.	When packing is damaged, replace the cartridge.

## Care & Maintenance

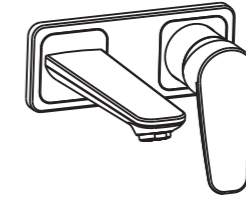
\* If you want to do the maintenance for the faucet, please follow the below process.



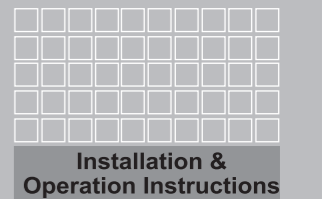
**Attention:**  
Please Leave the manual with the customer after installation is finished.

## Milano

FFAS0904-1T2501BT0  
Milano In-Wall Basin Mixer



American Standard



**To ensure that your installation proceeds smoothly--please read these instructions carefully before you begin.**

- \* Ideal Standard always keep raising and improving the product design and performance, and reserve the right to modify the dimension and specification. At this case, we will not inform you separately.
- \* This installation instruction sheet is for your reference only, the dimension and specification is subject to the actual products.

## Pre-Installation Checks

- \* All instruction procedures must comply in strict accordance with applicable local plumbing and building codes
- \* Remove all impurity in pipes before beginning to avoid clogging. Connect faucet pipes correctly.
- \* Check installation the Dimension Drawing to ensure to install it correctly.

## Conditions for use

- \* Recommended water pressure: 0.1~0.5Mpa.
- \* Environment Temperature:1~55°C
- \* Steam is not allowed.

During installation of the faucet, Please grab the body. Do not grab handle only.

## Recommended Tools and Materials



Adjustable Wrench



Screwdriver



Tape Measure



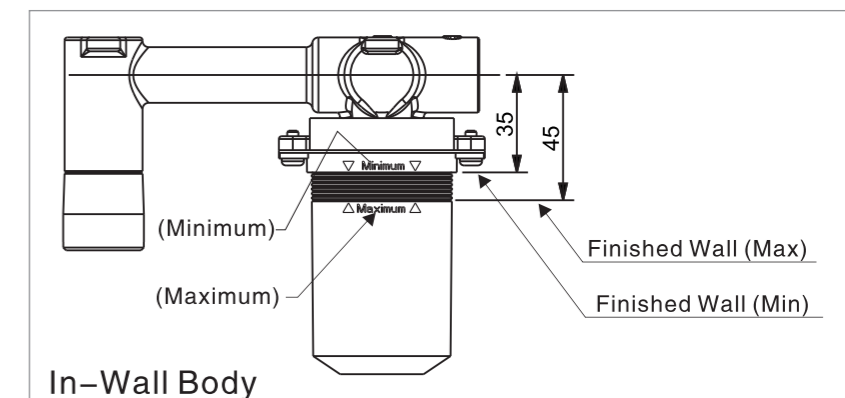
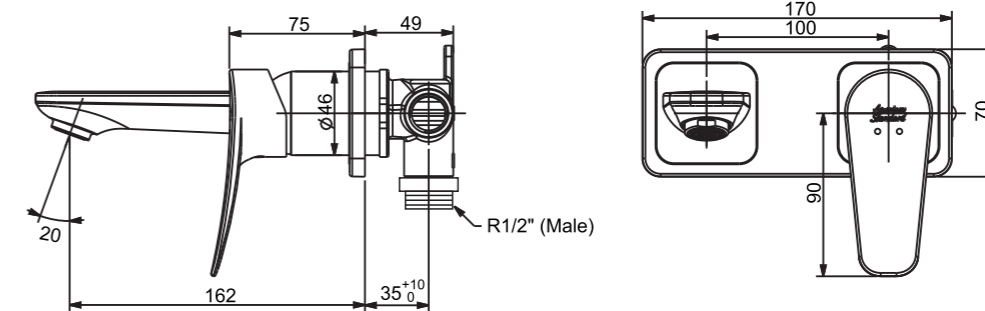
windtight swathe



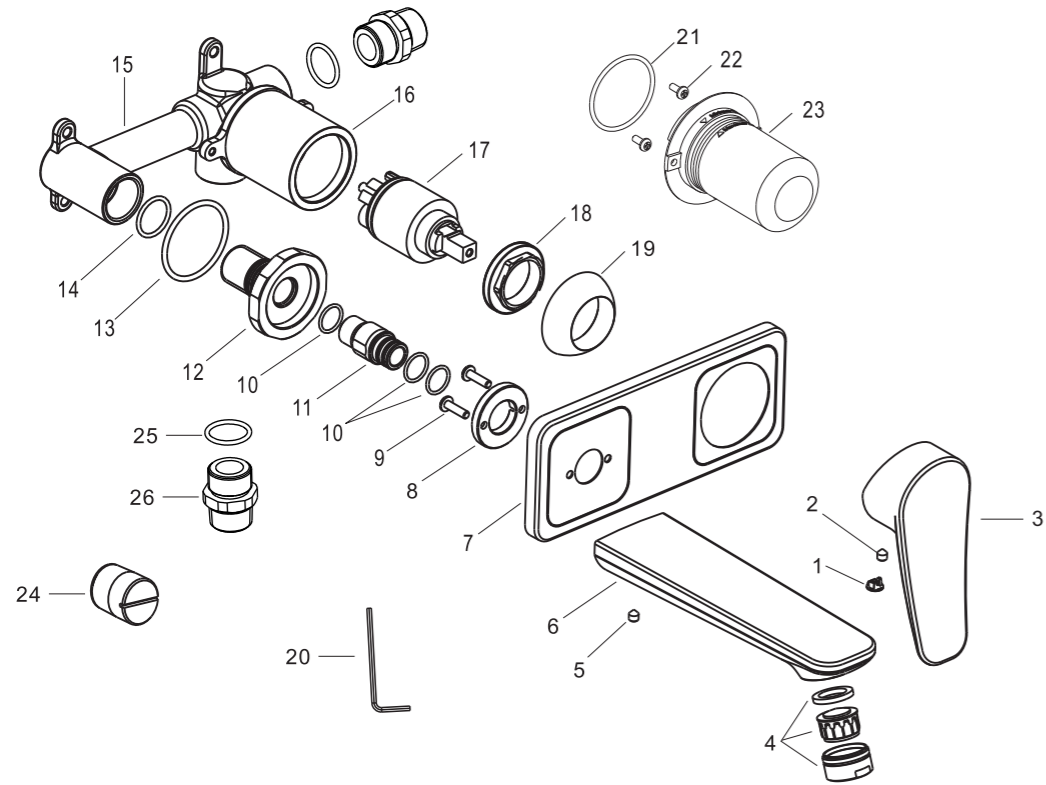
Pencil

## Dimension

Unit: mm



## Parts List

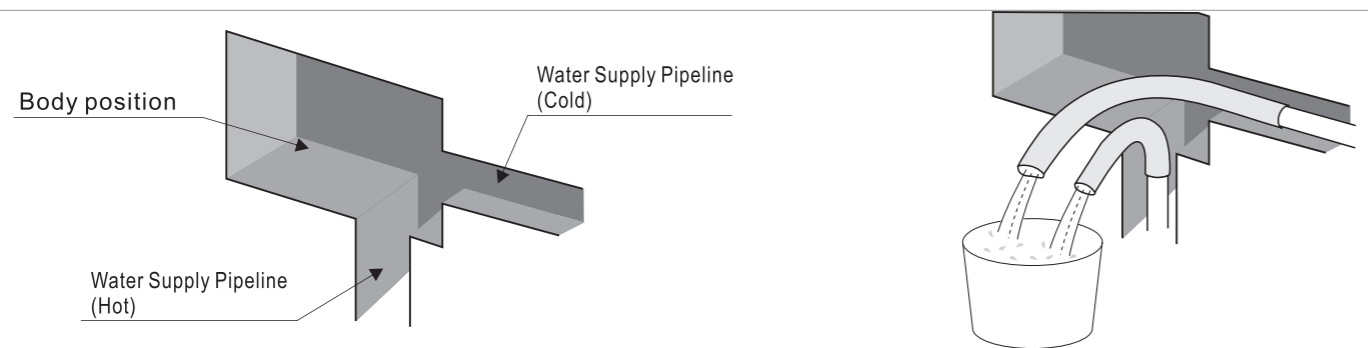


Parts List

No.	Part Name	Q'ty	No.	Part Name	Q'ty
1	Index Botton	1	15	Body	1
2	Screw	1	16	Bush	1
3	Handle	1	17	Cartridge	1
4	Aerator	1	18	Nut	1
5	Screw	1	19	Cap	1
6	Spout	1	20	In-hex Wrench	1
7	Escutcheon	1	21	O-Ring	1
8	Washer	1	22	Screw	2
9	Screw	2	23	Protection Cover	1
10	O-Ring	3	24	Plug	1
11	Connector	1	25	O-Ring	2
12	Connector	1	26	Connector	2
13	O-Ring	1			
14	O-Ring	1			

## Installation

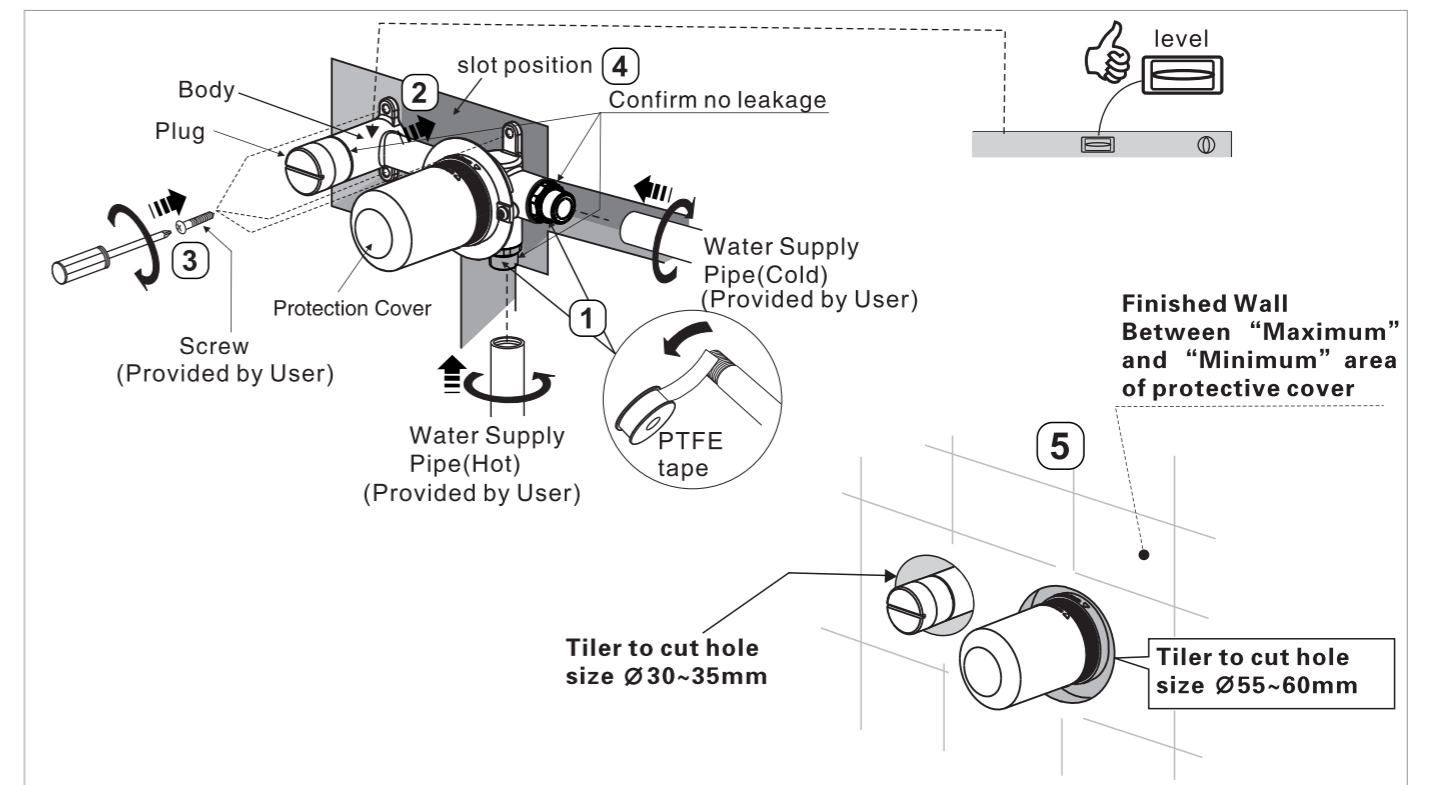
### 1 Preparation



- 1** \* Consult the dimension drawing and lay the pipes.  
\* Digging pit slot.

- 2** \* Wash and clean the water supply pipeline.

### 2 Installing the Body



### 3 Installing the Spout and Handle

