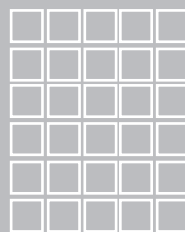


Concept

A-1401-100
Single Hole Basin Faucet(with pop-up drain and stop valve)
A-1401-100B (WF-1401.1T1.50)
Single Hole Basin Faucet(without pop-up drain and stop valve)



Thank you for selecting American-Standard - the benchmark of fine quality for over 100 years.
To ensure that your installation proceeds smoothly--please read these instructions carefully before you begin.

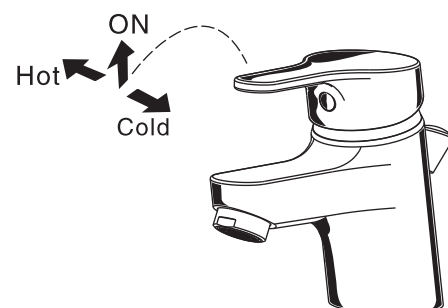
American Standard

4 Test / Usage

Test

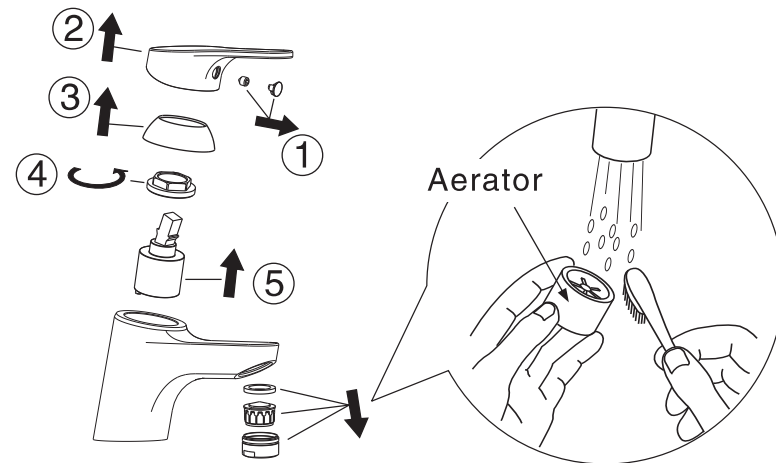
- * Move handle down into "off" position. Turn on supply angle valve to check all connections for leak.
- * Operate handle up and down, left and right to flush water lines thoroughly.

Usage



5 Dimension & Maintenance

- * AERATOR may accumulate dirt causing distorted and reduced water flow. Remove and clean AERATOR and then replace it.
- * If faucet drips, operate handle several times from "off" to "on" Do not apply excessive force.
- * Clogged CARTRIDGE inlets may cause reduced flow in "full on" hot or cold water. To clean inlets, first close supply water, then:
 1. Close Supply Water.
 2. Open up faucet. (Reference picture)
 3. Clean faucet or change component.
 4. Reinstall.



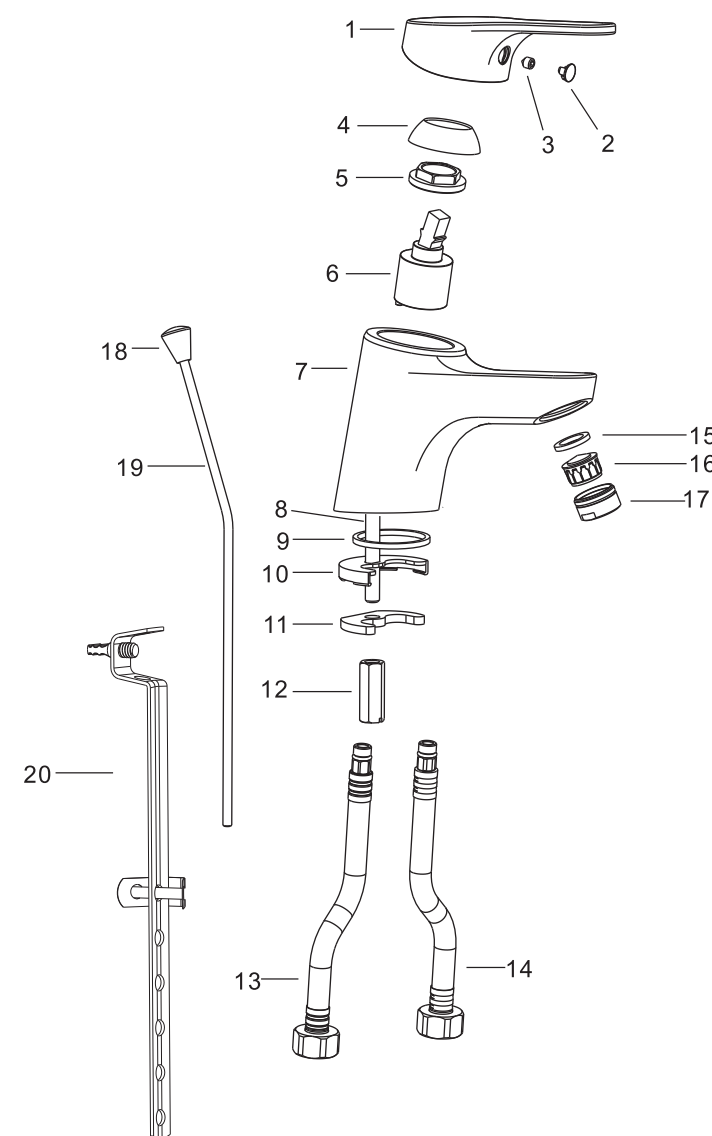
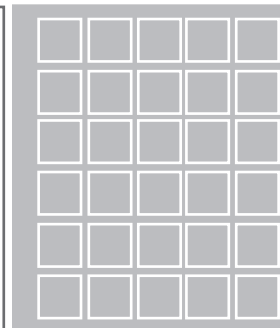
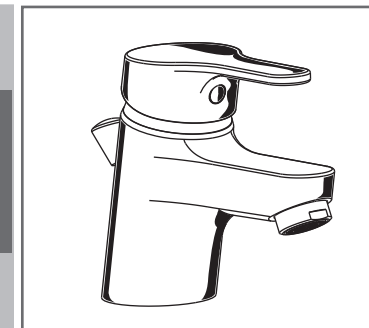
6 Trouble Shooting

Trouble	Checkpoint	Contents	Action
Poor flow rate	Aerator	Check any impurities.	Remove all impurities.
	Water supply valve	Check valve position.	Open it to full valve
	Flexible hose	Check if hose is twisted.	Untwist the hose.
Leakage	Cartridge packing	Check cartridge install.	When packing is damaged, replace the cartridge.
	Hose junction	Check the connection.	Check the existence of packing and wind it up sufficiently
Deviant Temperature	Supply system	Check if the water from angle valve is enough or not	Increase water supply
		Check if the supply pipe connected correct or not	Connect the hot and cold water pipe correctly

Concept

A-1401-100
Single Hole Basin Faucet(with pop-up drain and stop valve)
A-1401-100B (WF-1401.1T1.50)
Single Hole Basin Faucet(without pop-up drain and stop valve)

Installation & Operation Instructions



Parts List		
No.	Part Name	Q'ty
1	Handle	1
2	Cap	1
3	Screw	1
4	Cap	1
5	Nut	1
6	Cartridge	1
7	Body	1
8	Shank	1
9	Washer	1
10	Washer	1
11	Washer	1
12	Nut	1
13	Hose (Red)	1
14	Hose (Blue)	1
15	Washer	1
16	Aerator	1
17	Aerator Housing	1
18	Knob	1
19	Pop-Up Rod	1
20	Tune Up Panel	1



Attention:
Please Leave the manual to the customer after installation is finished.

Concept

A-1401-100
Single Hole Basin Faucet(with pop-up drain and stop valve)
A-1401-100B (WF-1401.1T1.50)
Single Hole Basin Faucet(without pop-up drain and stop valve)

American Standard

1 Note

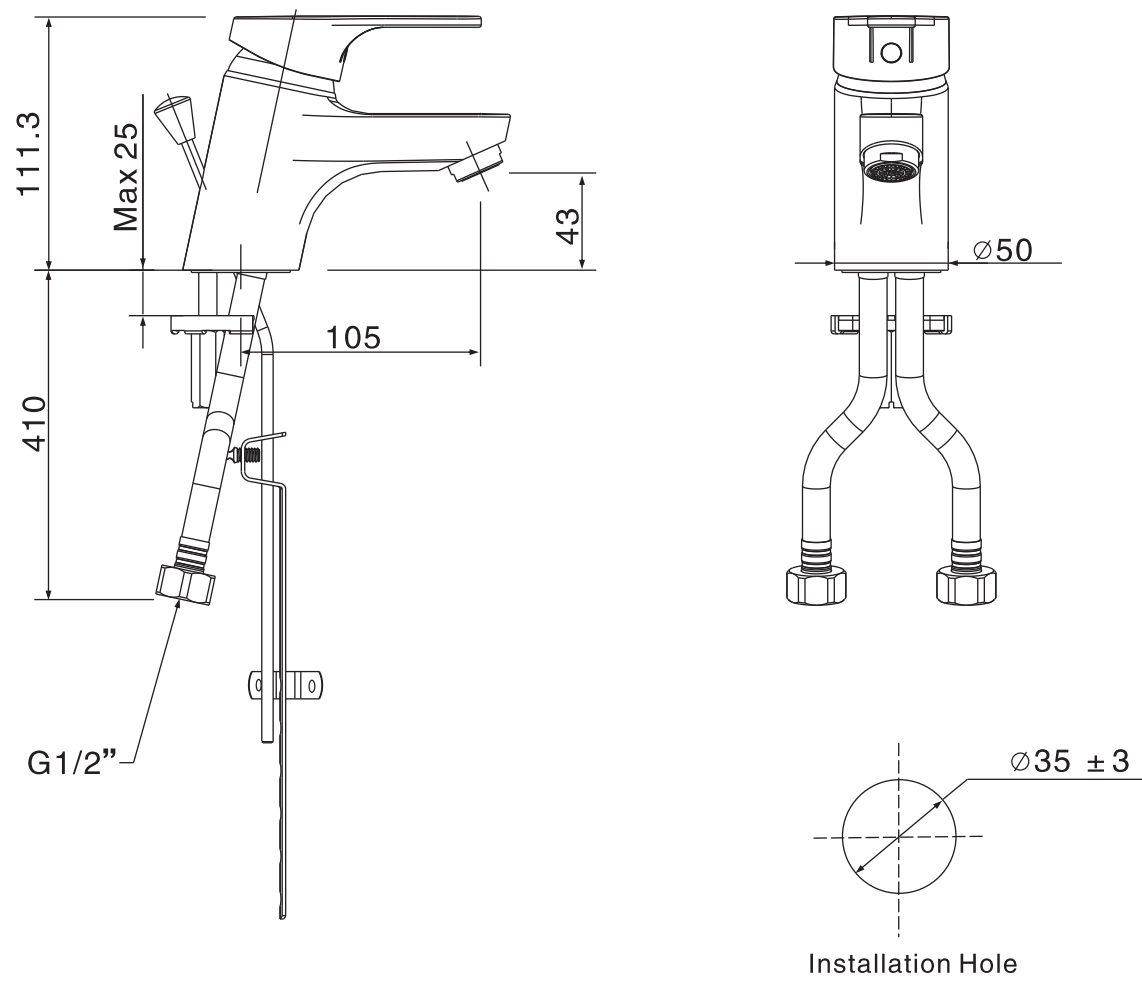
*Remove all impurity in pipes before beginning to avoid clogging. Connect faucet pipes correctly. That is, the flexible hose with red mark is for HOT water, while the one with blue mark is for COLD water.
* Check installation distances in the Dimension diagram to ensure correct installation.

Conditions for use

- * Recommended water pressure condition: 0.1~0.5Mpa.
- * Environment Temperature: 1~55℃
- * Not for use as a steam outlet.
- * The cold and hot water pipes must not be changed.

**When in the process of installation, grab the whole body.
Do not grab handle only.**

2 DIMENSION



3 Installation

