

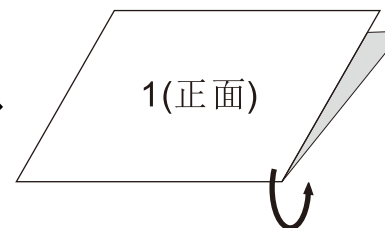
2019年9月17日

A/O

Tolerance, Unless Otherwise Stated. Is	
Above 0.5 to and including 6	±0.1
Excess 6 to and including 30	±0.2
Excess 30 to and including 120	±0.3
Excess 120 to and including 315	±0.5
Excess 315 to and including 1000	±0.8
Excess 1000 to and including 2000	±1.2



1. 说明书双面印刷完成  
(297x210=A4) 共1张



2. 说明书折叠完成

制作说明:

1. 说明书完成的尺寸: 148\*210
2. 材料: 80克的白色纸
3. 印刷说明: 说明书为297x210(A4) 双面印刷, 并折叠成148x210大小完成(详看图示)
4. 印刷颜色: 黑白
5. 印刷时, 内容准确, 清晰, 墨色均匀, 表面清洁。

DESIGN	黄卓桓	2019.09.11	TITLE	Instructions
CHECKED	利华沃	2019.09.11	REF	纤格双柄双控面盆龙头(带角阀和排杆)英文说明书 Signature 3H Basin Mixer W/PUW&Valve FFAS-1703-1615L0BT0
APPROVED	邵军号	2019.9.11	DWG NO.	FF1-CN521K00399899
SCALE	MATERIAL	WEIGHT	American Standard	
REV	DESCRIPTION	DATE		

## Test / Usage

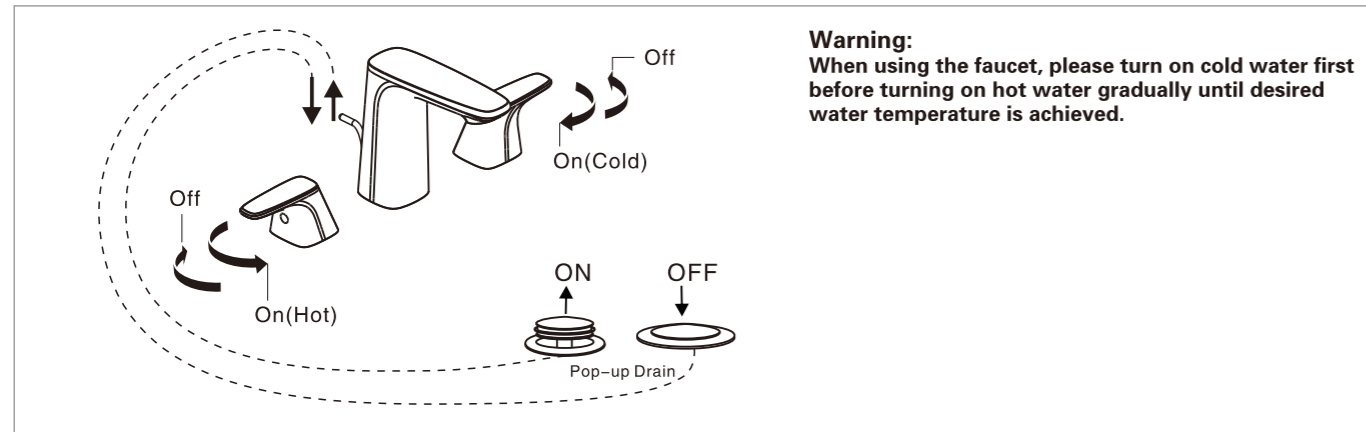
### 1 Test

- \* Push lever down to 'OFF' position. Open water supply valve to check all connections for leakage(s).
- \* Lift lever up to 'ON' position. Check that water is flowing from spout.

2019年9月17日

A/O

### 2 Usage

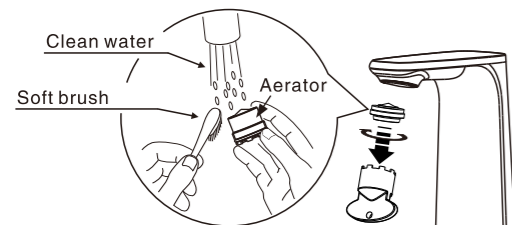


## Trouble Shooting Guide

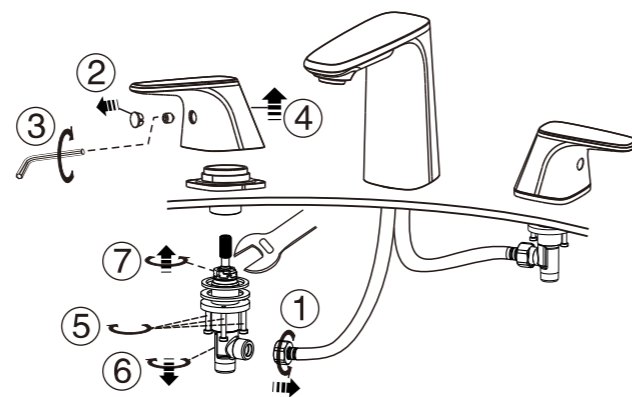
Issue	Component	Checkpoint	Corrective Action
Poor flow rate	Aerator	Check if aerator is clogged	Remove all impurities
	Water supply valve	Check lever position	Lift lever to maximise water volume
	Hose	Check if hose is twisted	Untwist the hose
Leakage	Cartridge	Check if cartridge is loosened	Fasten or replace cartridge
	Connection joints	Check the connection	Reassemble connecting part
Abnormal Temperature	Water supply valve	Check lever position	Lift lever to maximise water volume
	Water supply pipeline	Check if supply pipes have been correctly connected	Connect the hot and cold water pipe correctly

## Care & Maintenance

\* Clogged aerator due to poor water quality can lead to reduced water flow. Follow steps below to clean aerator to ensure optimal performance.



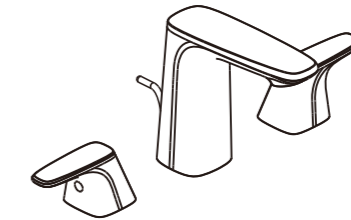
\* Clogged cartridges due to poor water quality can affect product performance.  
\* Follow steps below to maintain optimal product performance.  
\* Note: please turn off water supply before maintenance process.



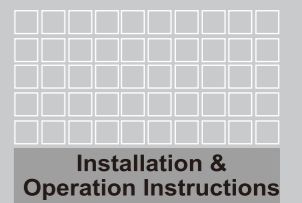
**Attention:**  
Please leave manual with customer post installation.

## Signature

FFAS1703-1615L0BT0  
Signature 3H Basin Mixer W/PUW&Valve



American Standard



Thank you for selecting American Standard the benchmark of fine quality for over 100 years. To ensure that your installation proceeds smoothly, please read these instructions carefully before you begin.

- \* American Standard continually improves our product design and performance and reserves the right to modify the dimension and specification of our product accordingly without any prior notification.
- \* Actual dimensions and specifications may vary, refer to physical product for exact dimensions and specification.

## Pre-Installation Checks

- \* Remove all impurities from pipes before installation to avoid clogging. Connect faucet pipes correctly. Ensure that the cold water hose is connected to the right side and the hot water hose to the left.
- \* Check installation distances shown in the dimension diagram to ensure correct installation.
- \* Warning: Avoid lifting/ holding product lever only during installation. Instead, hold product spout/ main body.

## Conditions for use

- \* Water pressure condition: 0.05~0.75MPa (Recommended water pressure condition: 0.1~0.5MPa)
- \* Ambient temperature: 1~55°C
- \* Water temperature: 4°C ~ 90°C (Recommended hot water temperature 50~60°C)
- \* Steam should not be used with product.
- \* Note: Ensure water source is clean. Poor water quality can cause cartridge and internal components to clog, resulting in poor volume control and/ or product failure.

## Recommended Tools and Materials



Adjustable Wrench



Screwdriver



Tape Measure



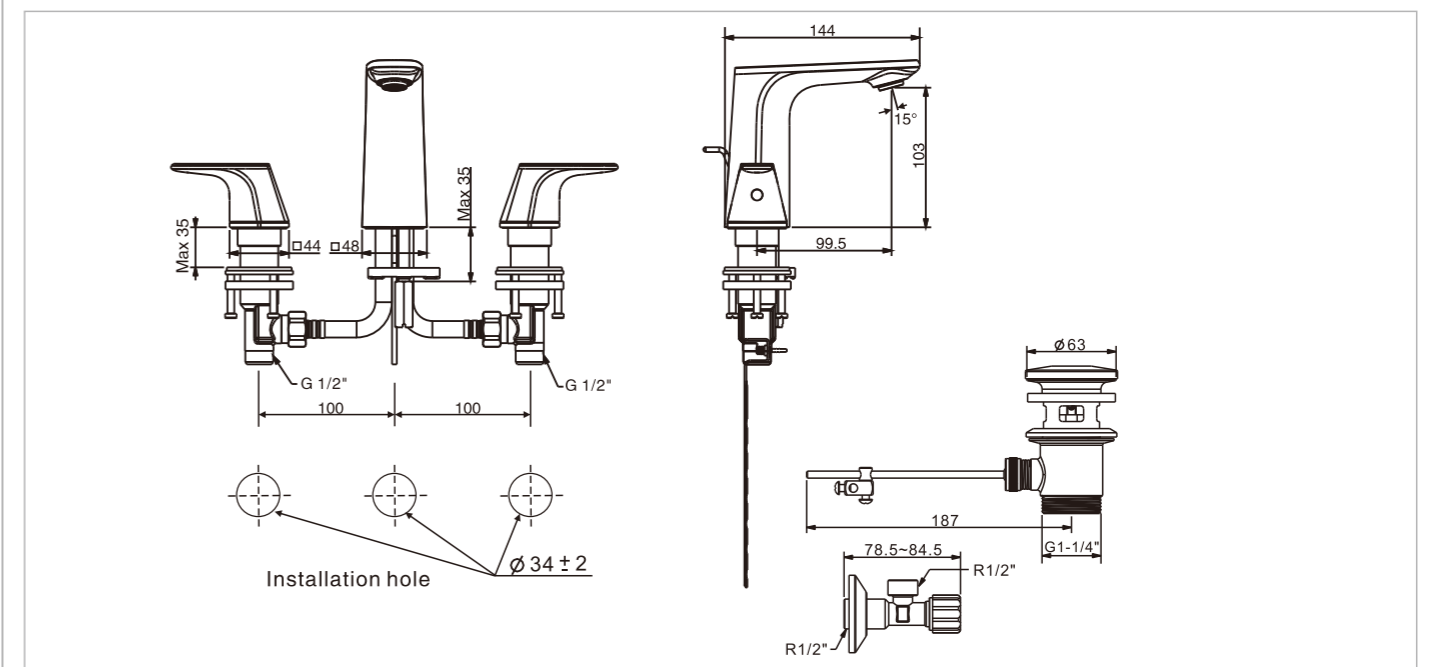
Pipe Wrench



Teflon Tape

## Dimension

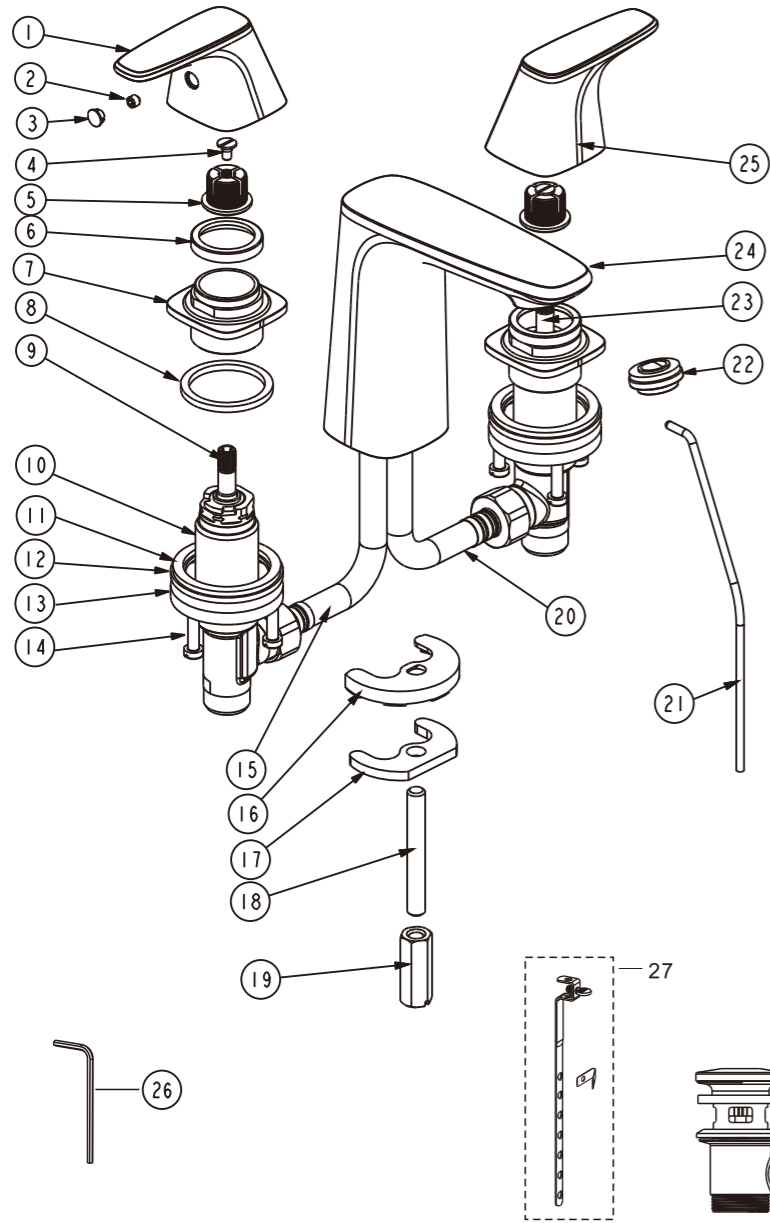
Unit: mm



Parts List

2019年9月17日

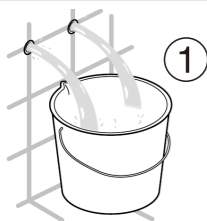
A/O



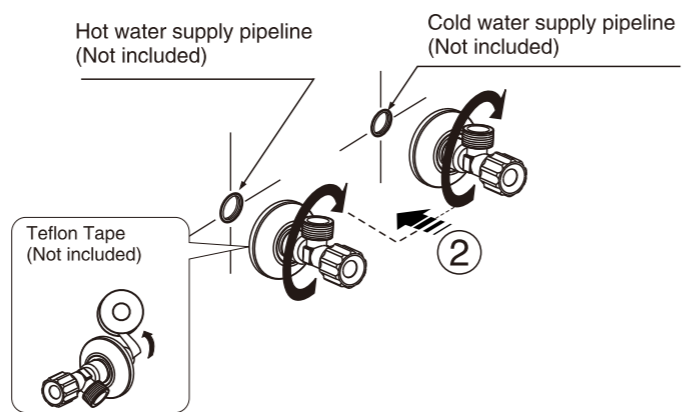
No.	Part Name	Q'ty
1	Lever	1
2	Screw	2
3	Index button	2
4	Screw	2
5	Bushing	2
6	Washer	2
7	Nut	2
8	Washer	2
9	Cartridge (left)	1
10	Valve seat	2
11	Washer	2
12	Washer	2
13	Nut	2
14	Screw	6
15	Hose(red)	1
16	Rubber gasket	1
17	Metal gasket	1
18	Shank	1
19	Nut	1
20	Hose(blue)	1
21	Lever	1
22	Aerator	1
23	Cartridge (right)	1
24	Spout	1
25	Lever	1
26	In-hex wrench (2.5mm)	1
27	Perforated steel stop asm	1
28	Pop-up drain	1
29	Water supply valve	2

Installation

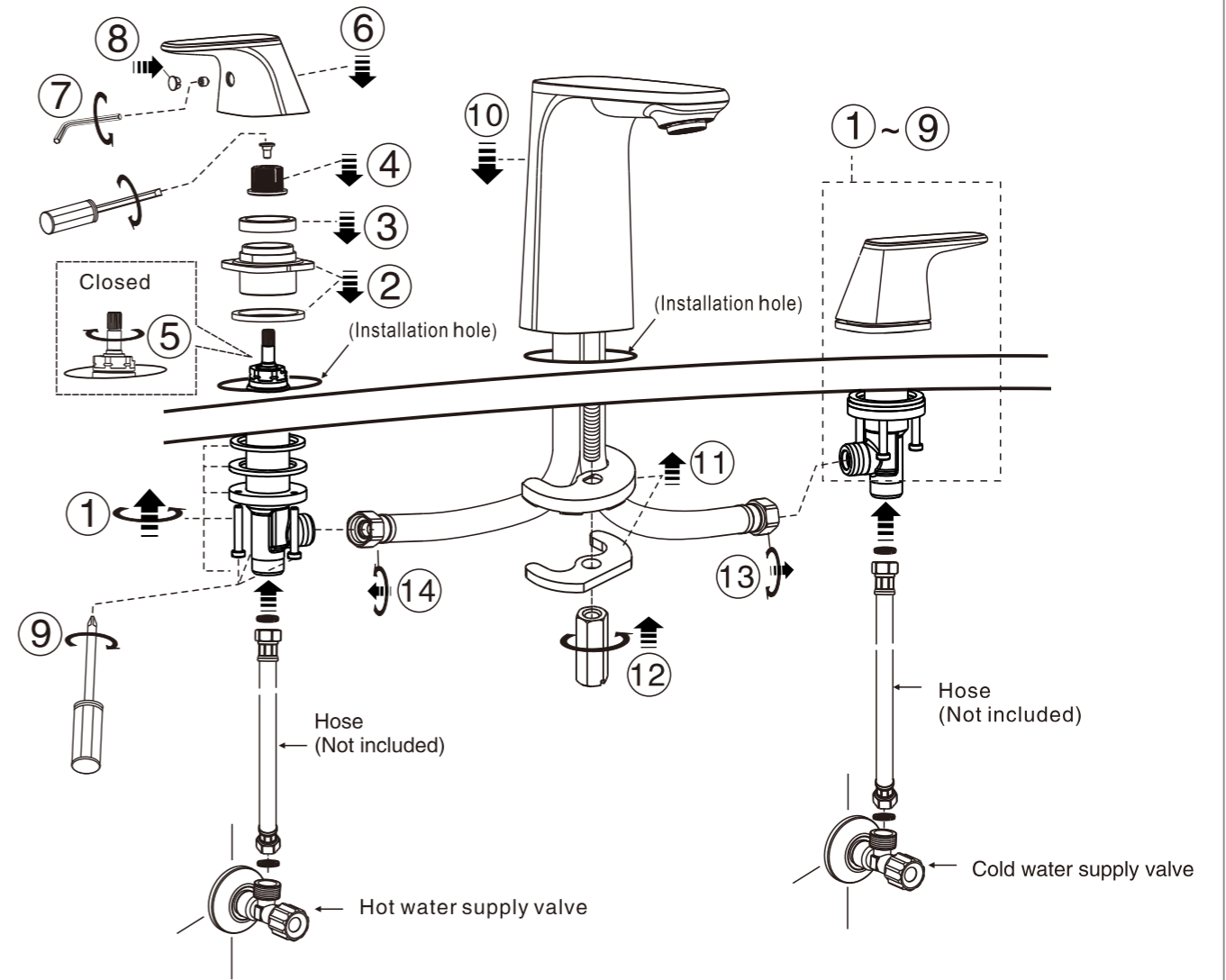
1 Preparation



\* Lay cold & hot supply pipes based on dimension drawing.  
\* Before installation, the laying of pipeline is rinsed clean.



2 Faucet Installation



Pop-up drain installation

