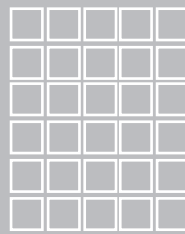


ACTIVE

WF-3901.XXX.50
Single Hole Lava. Faucet
WF-3902.XXX.50
Single Hole Extended Lava. Faucet

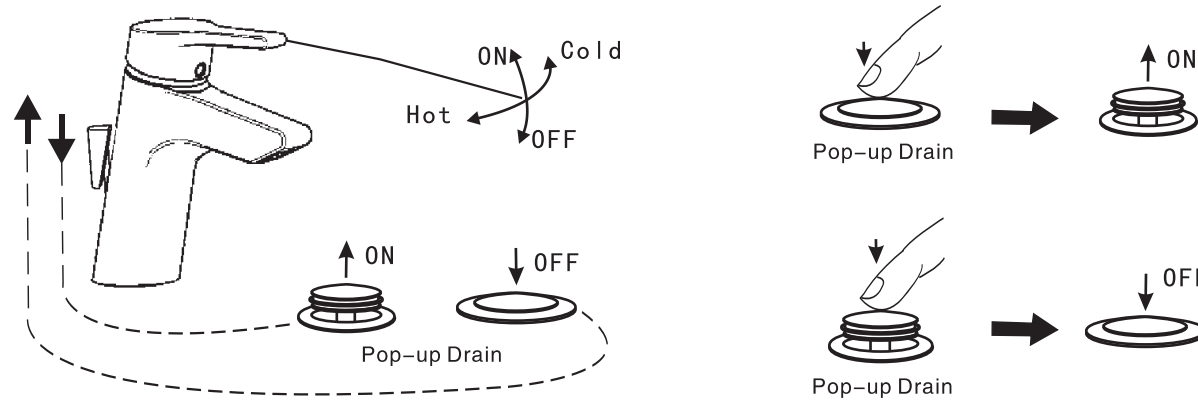


Thank you for selecting American-Standard - the benchmark of fine quality for over 100 years.
To ensure that your installation proceeds smoothly--please read these instructions carefully before you begin.

Design Solutions
by **American Standard**

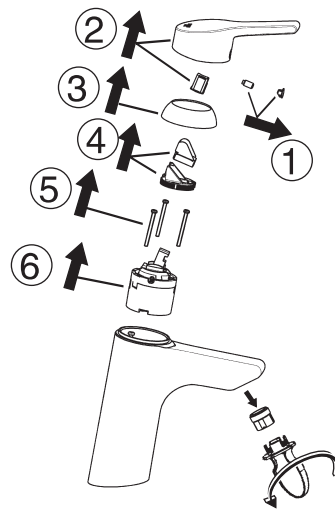
5 Test & Use

- * Move handle down into "off" position. Turn on water supply and check connections for leakage.
- * Operate handle up and down, left and right to flush water lines thoroughly.



6 Maintenance

1. Close Supply Water .
2. Open Up Faucet (Reference Picture) .
3. Clean Faucet or Change Component.
4. Reinstall .



7 Trouble Shooting

Trouble	Checkpoint	Contents	Action
Poor flow rate	Regulator	Check any impurities.	Remove all impurities.
	Angle valve	Check valve position.	Open it to full valve
	Flexible hose	Check if hose is twisted.	Untwist the hose.
Leakage	Cartridge packing	Check cartridge install.	When packing is damaged, replace the cartridge.
	Hose junction	Check the connection.	Check the existence of packing and wind it up sufficiently
Deviant Temperature	Supply system	Check if the water from angle valve is enough or not	Increase water supply
		Check if the supply pipe connected correct or not	Connect the hot and cold water pipe correctly

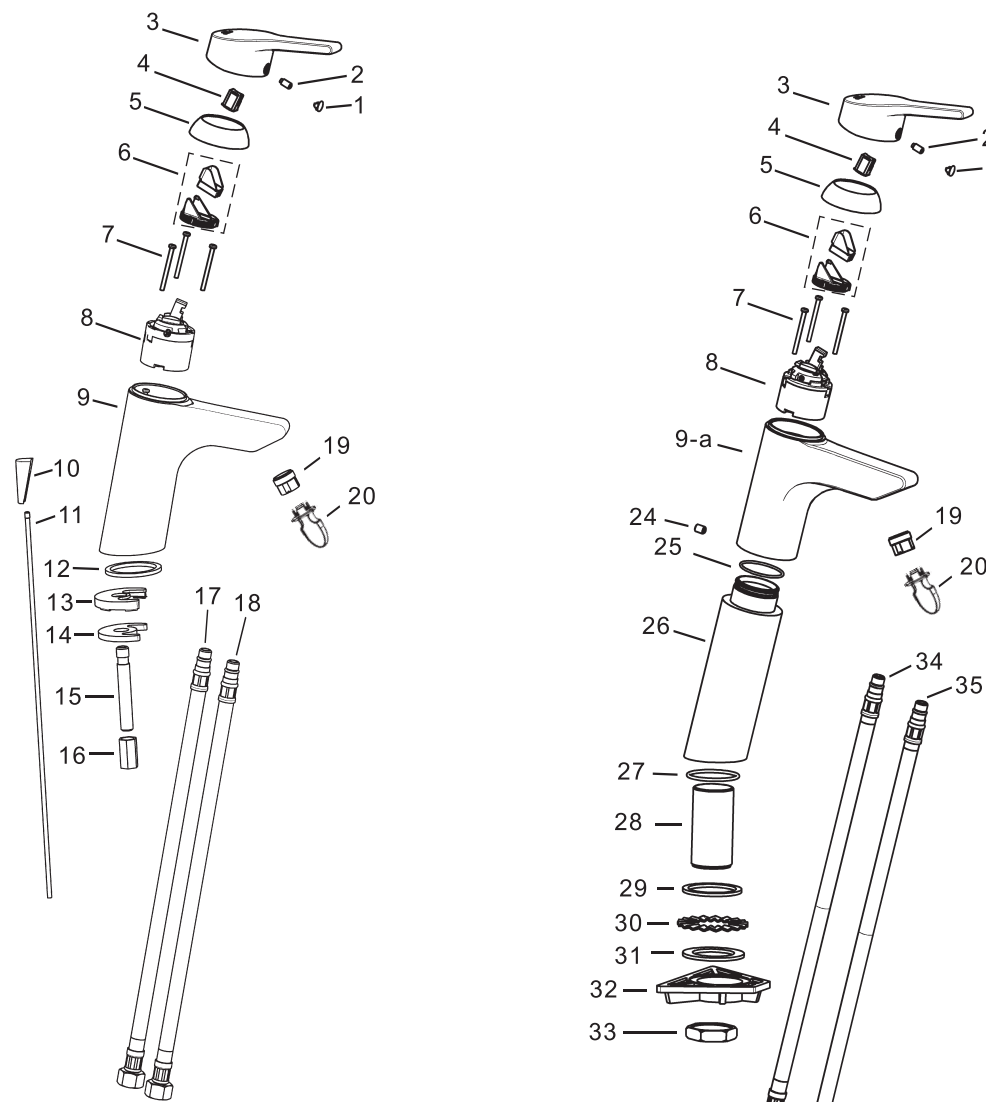
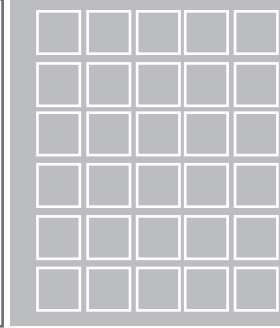
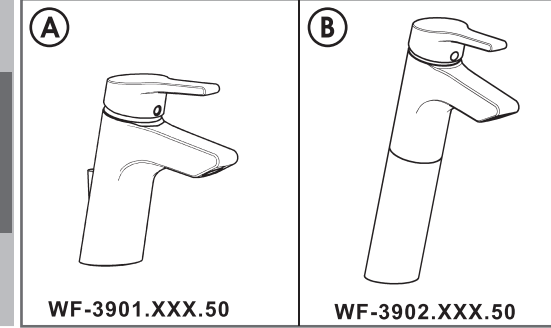


Attention Installer:
Leave this information to the customer after installation is complete

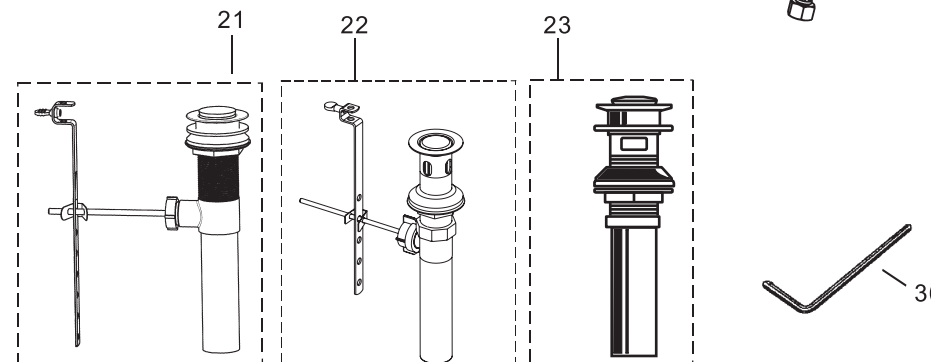
ACTIVE

WF-3901.XXX.50
Single Hole Lava. Faucet
WF-3902.XXX.50
Single Hole Extended Lava. Faucet

Installation & Operation Instructions



Parts List			
No.	Part Name	Q'ty	
		(A)	(B)
1	Index Button	1	1
2	Screw	1	1
3	Handle	1	1
4	Bushing	1	1
5	Escutcheon Cap	1	1
6	Flow Restrictor	1	1
7	Screw	1	1
8	Cartridge	1	1
9	Body	1	0
9-a	Body	0	1
10	Knob	1	0
11	Pop-up Rod	1	0
12	Wather	1	0
13	Rubber Washer	1	0
14	Holding Plate	1	0
15	Shank	1	0
16	Nut	1	0
17	Hose(Blue)	1	0
18	Hose(Red)	1	0
19	Aerator	1	1
20	Wrench	1	1
21	Pop-up Drain(Luxury)	1	0
22	Pop-up Drain(Basic)	1	1
23	Pop-up Drain	0	1
24	Screw	0	1
25	O-Ring	0	1
26	Extend Bar	0	1
27	O-Ring	0	1
28	Shank	0	1
29	Washer	0	1
30	Washer	0	1
31	Washer	0	1
32	Plate	0	1
33	Nut	0	1
34	Hose(Blue)	0	1
35	Hose(Red)	0	1
36	In-hex Wrench	1	1



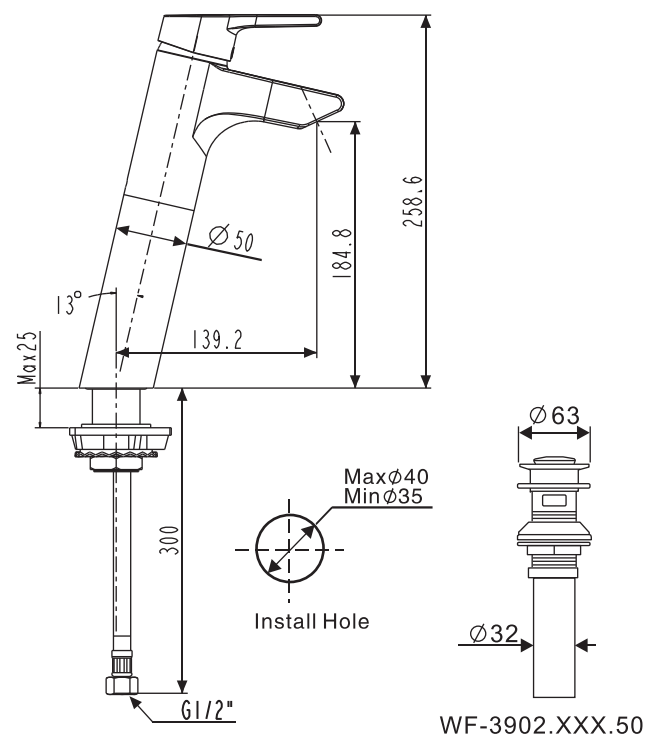
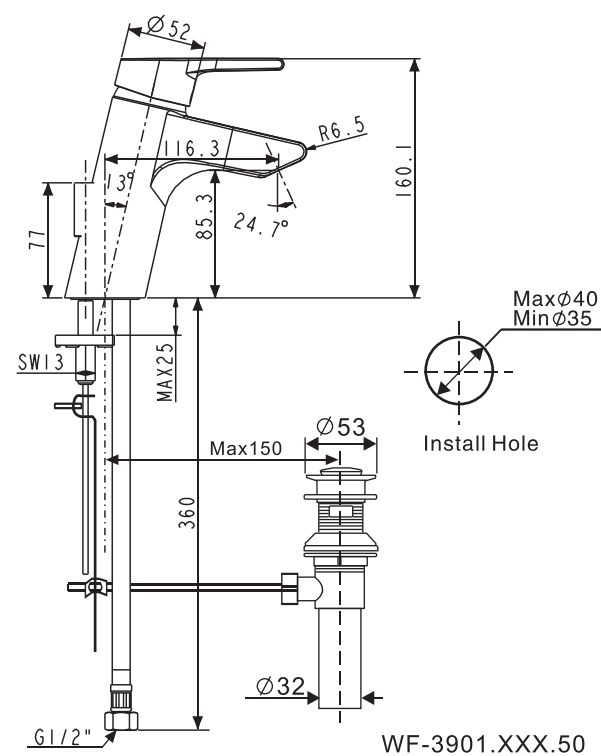
1 Note

*Remove all impurity in pipes before beginning to avoid clogging. Connect faucet pipes correctly. That is, the flexible hose with red mark is for HOT water, while the the one with blue mark is for COLD water.
* Check installation distances in the Dimension diagram to ensure correct installation.

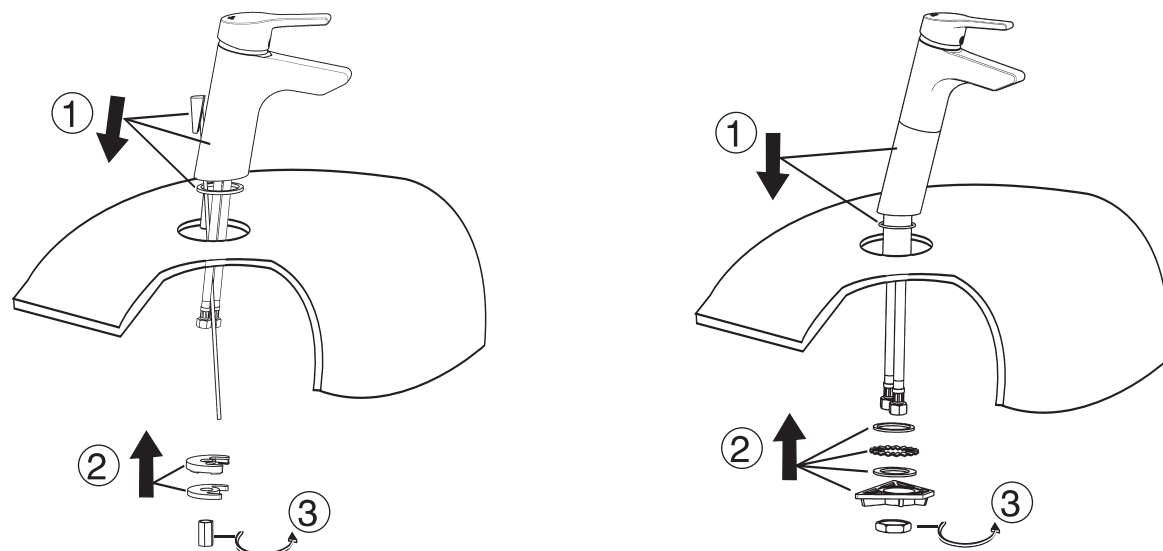
* Recommended water pressure condition: 0.1Mpa~0.5Mpa.
* Steam is not allowed to use.
* The cold and hot water pipes must not be changed.

When in the process of installation, grab the whole body.
Do not grab handle only.

2 Dimension

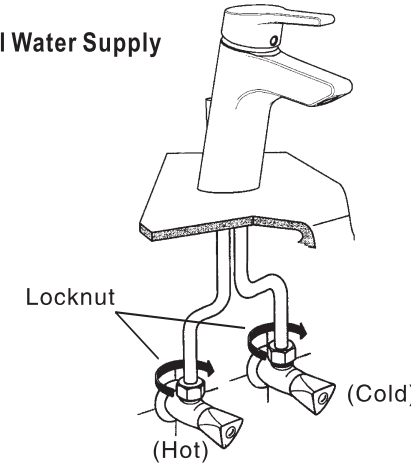


3 Install Faucet

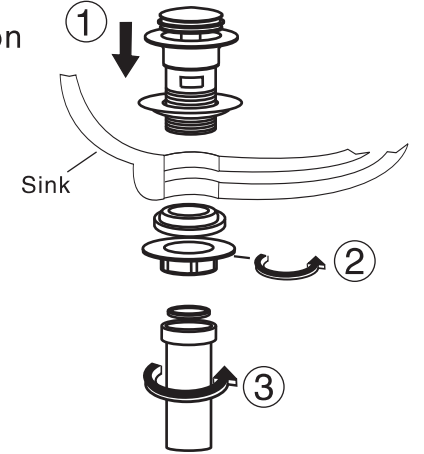


4 Connect Water Supply & Install Pop-up Drain

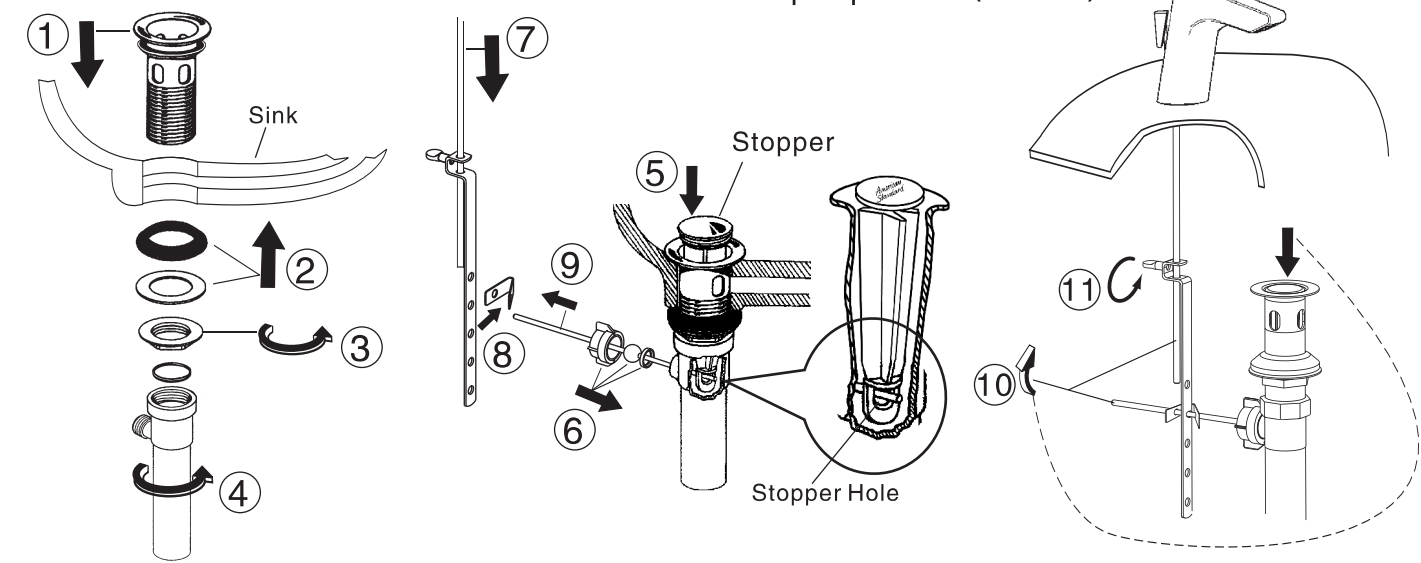
* Install Water Supply



* Install Press-Action Pop-up Drain



* Install Pop-up Drain (Basic)



* Install Pop-up Drain (Luxury)

