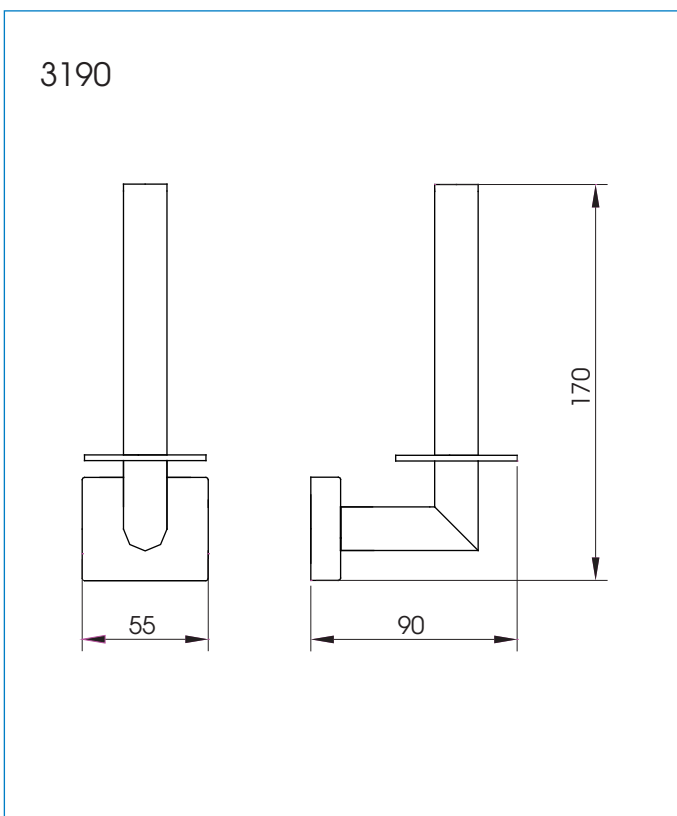


Model: 3190**Paper Holder****Features:**

- The design of the modern style bathroom
- Preferred option for elegant bathroom

Drawing:**Specifications:**

Dimensions : 55x170x90mm

Material : Brass + Stainless Steel 304

Finish : Nickel Chrome