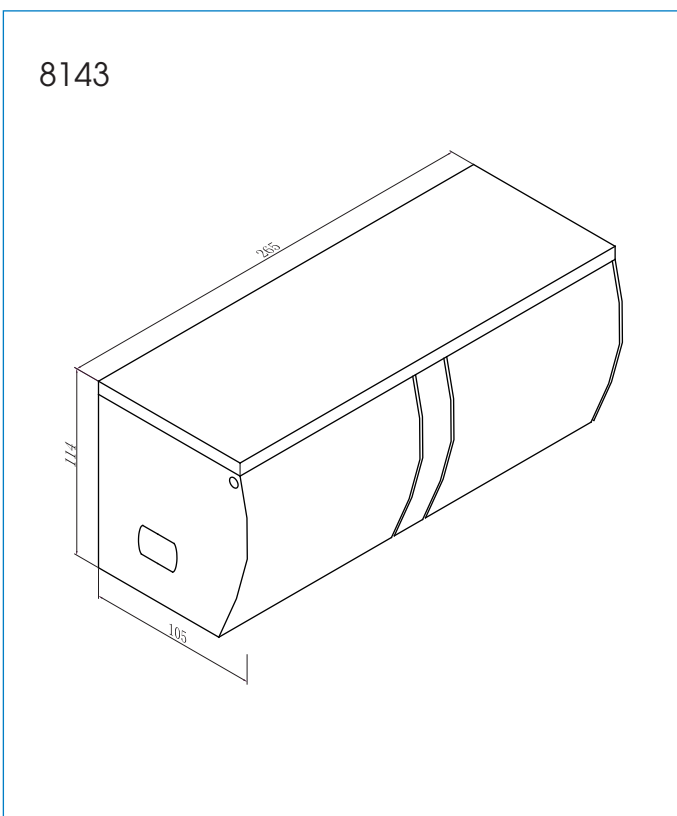


Model: 8143**Paper Holder****Features:**

- The design of the modern style bathroom
- Preferred option for elegant bathroom

Drawing:**Specifications:**

Dimensions : 264x114x105mm

Material : Stainless Steel 304

Finish : Nickel Chrome