

Model: TD-8305D-2



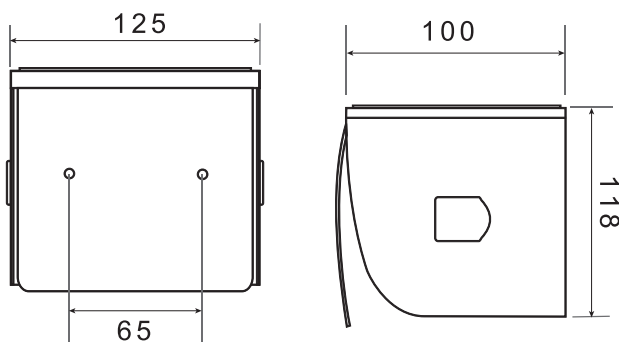
Paper Holder

Features:

- The design of the modern style bathroom
- Preferred option for elegant bathroom

Drawing:

TD-8305D-2



Specifications:

Dimensions : 125x100x118mm

Material : Stainless Steel 304

Finish : Nickel Chrome