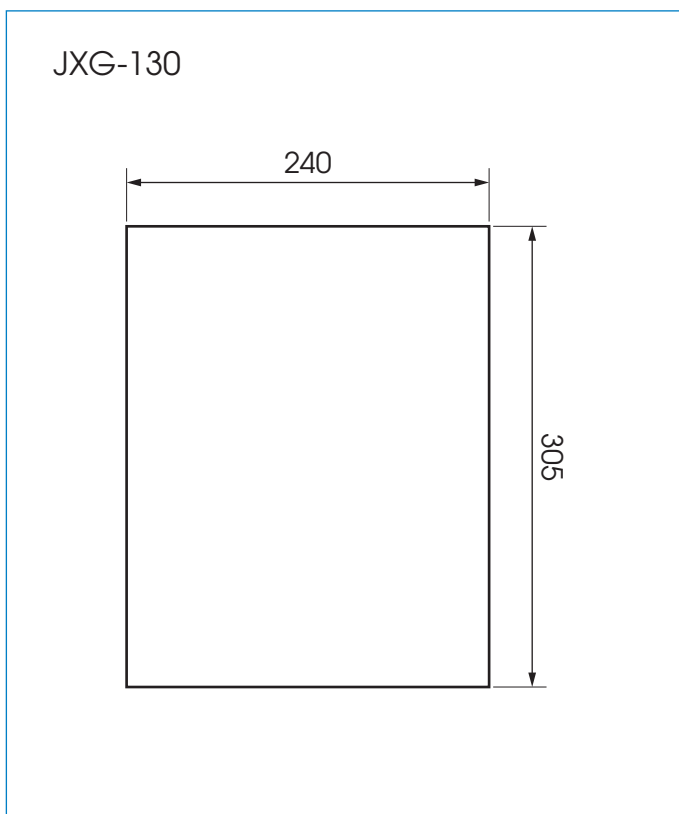


Model: JXG-130**Automatic Hand Dryer****Features:**

- The design of the modern style bathroom
- Preferred option for elegant bathroom

Drawing:**Specifications:**

Dimensions	: 240x140x305mm
Approval	: CE
Material	: Plastic
Power supply	: 1200W
Motor power	: 50W
Motor rate	: 3600rpm
Sensor distance	: 50mm-200mm
Wind speed	: >12m/s
Sensor distance	: 50mm-200mm
Air temperature	: 65±15°C
Protect time	: 1min