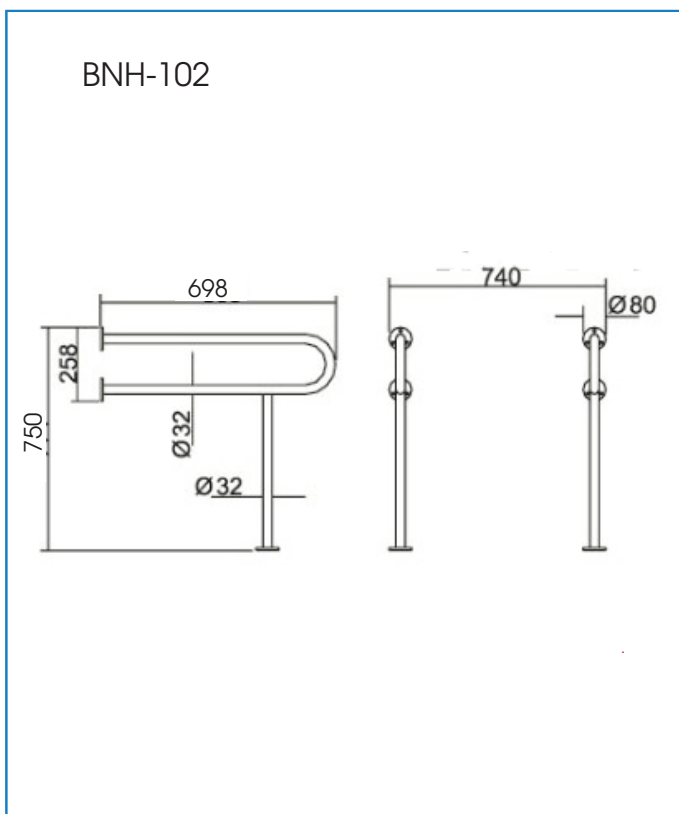


**Model:** BNH-102**Swing Handrail For The Disabled****Features:**

- The design of the modern style bathroom
- Preferred option for elegant bathroom

**Drawing:****Specifications:**

Dimensions : 698x750mm (Ø32)

Material : SUS 304

Thickness : 1mm

Finish : Nickel Chrome