

**Model:** BNH-104

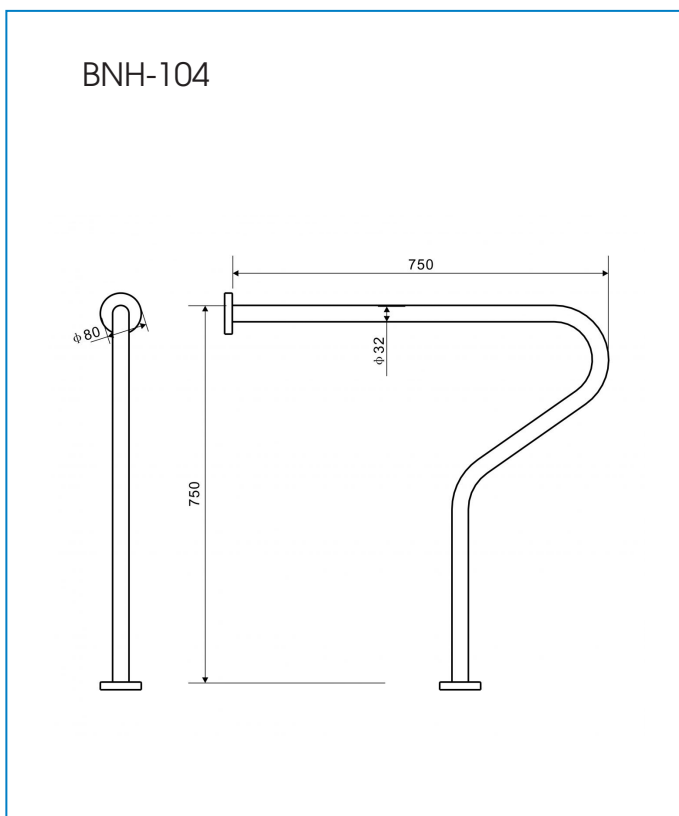


**Swing Handrail For The Disabled**

**Features:**

- The design of the modern style bathroom
- Preferred option for elegant bathroom

**Drawing:**



**Specifications:**

Dimensions : 750 x 750mm (Ø32)

Material : Stainless Steel 304

Finish : Nickel Chrome