

## LETO PLUS Series

**CT1096C30(HM)** STOP VALVE/1 IN 2 OUT FOR HANDSHOWER SET AND TANK  
**Barcode** 8852410109406  
**Material No.** Z231CT1096C30HMX11

### Selling Point

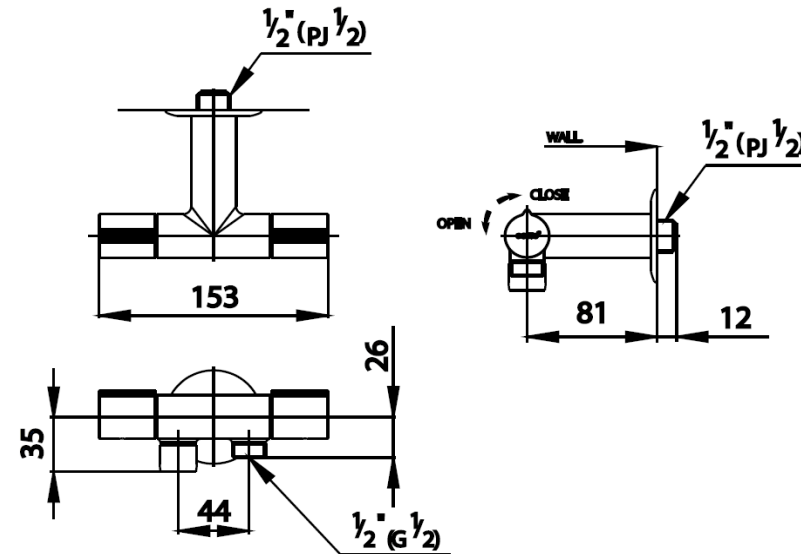
1. Extra Chrome : Plated with 8 Micron Nickel-Chromium

### Product characteristics

- pices/box : 16
- Inner box weight (Kg.) : 1
- Total box weight (Kg.) : 14

### How to use

Valve for Flexible Shower Hose and Bucket Filler



Siam Sanitary Ware Co.,Ltd. / Siam Sanitary Fittings Co.,Ltd.

36/11 Viphavadee Rangsit Rd, Sanam Bin, Donmuang, Bangkok 10210. Thailand

Tel : + 66 (0) 2973-5040-54

Fax : + 66 (0) 2973-3470

www.cotto.co.th

Export Department

Tel : + 66 (0) 2973-5040-54

Fax : + 66 (0) 2973-3472

The company reserves the right to change any of the details in the document without prior notice

COTTO  
STUDIO

Center	(Donmuang ,Bangkok)	: +66 (0) 2521-7777
East	(Chonburi)	: +66 (038) 416-222
North	(Chiangmai)	: +66 (053) 211-852
North East	(Khonkean)	: +66 (043) 220-555
South	(Phuket)	: +66 (076) 261-388