

STAINLESS STEEL Series

CT0294#SA(HM) TISSUE HOLDER
Barcode 8852410023047
Material No. Z235CT0294SAHMX18

Selling Point

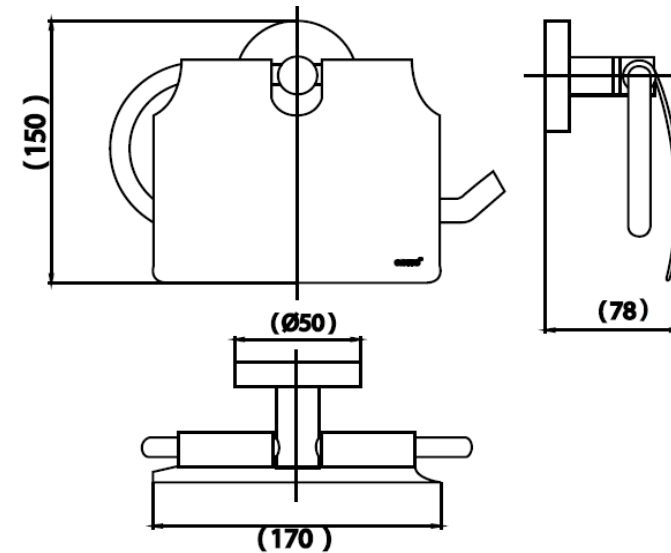
1. Made from High-Quality Stainless SUS304

Product characteristics

- pices/box : 1
- Inner box weight (Kg.) : 1.0
- Total box weight (Kg.) : 1.0

Recommended Usage

Install On Wall By Sanitary Ware As Tissue Holder



Siam Sanitary Ware Co.,Ltd. / Siam Sanitary Fittings Co.,Ltd.

36/11 Viphavadee Rangsit Rd, Sanam Bin, Donmuang, Bangkok 10210. Thailand

Tel : + 66 (0) 2973-5040-54

Fax : + 66 (0) 2973-3470

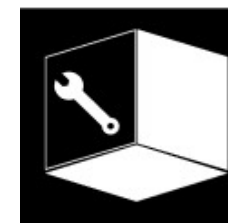
www.cotto.com

COTTO Studio

Tel : + 66 (0) 2973-5040-54

Center (Donmuang ,Bangkok) : +66 (0) 2521-7777

The company reserves the right to change any of the details in the document without prior notice



Line : @fixingservice

COTTO[®]
Fixing
Service