

NIQUE Series

CT1217A LEVER HANDLE CONCEALED STOP VALVE
Barcode 8852410121361
Material No. Z231CT1217AXXXX11

Selling Point

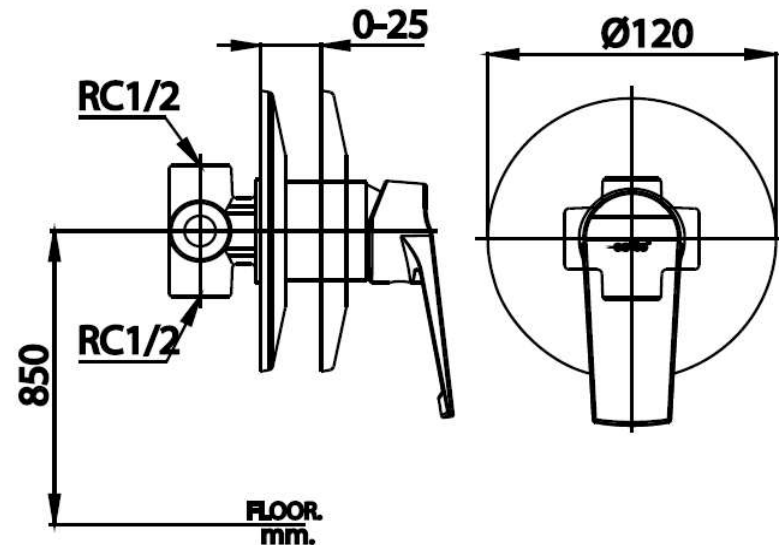
1. COTTO CLEAN : Metal Contaminant-Controlled (Lead, Cadmium, Copper, Zinc)
2. Extra Chrome : Coated with 8 Micron Nickel-Chromium

Product characteristics

- pices/box : 8
- Inner box weight (Kg.) : 0.9
- Total box weight (Kg.) : 7.1

Recommended Usage

Valve For Fixed Shower



Siam Sanitary Ware Co.,Ltd. / Siam Sanitary Fittings Co.,Ltd.

36/11 Viphavadee Rangsit Rd, Sanam Bin, Donmuang, Bangkok 10210. Thailand

Tel : + 66 (0) 2973-5040-54

Fax : + 66 (0) 2973-3470

www.cotto.co.th

Export Department

Tel : + 66 (0) 2973-5040-54

Fax : + 66 (0) 2973-3472

COTTO
STUDIO

Center (Donmuang ,Bangkok) : +66 (0) 2521-7777

East (Chonburi) : +66 (038) 416-222

North (Chiangmai) : +66 (053) 211-852

North East (Khonkean) : +66 (043) 220-555

South (Phuket) : +66 (076) 261-388

The company reserves the right to change any of the details in the document without prior notice