

AUTOMATIC Series

CT5703Y(AC) AUTOMATIC BASIN FAUCET (TALL BODY), AC POWER SUPPLY

Barcode 8852410570282

Material No. Z231CT5703YACXXX21

Selling Point

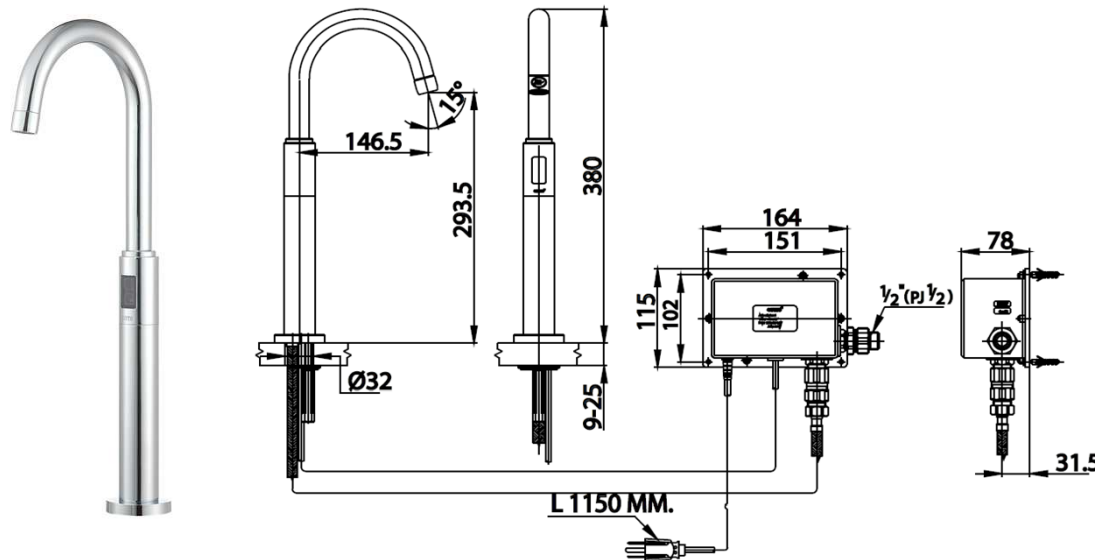
1. Extra Chrome : nickel-chromium coating thickness of 8 micron
2. Double Infrared Beam: higher accuracy detection
3. Moisture protection
4. Electromagnetic compatibility(EMC) protection.
5. 6 VDC latching type(power saving) with strainer
6. Water regulator control flow rate, 4 L/min at 1 bar

Product characteristics

- pices/box : 4
- Inner box weight (Kg.) : 2
- Total box weight (Kg.) : 10

Recommended Usage

Install on counter for about counter basin



AUTOMATIC faucet

Specification

Dimension control box (W x L x D)	115 x 164 x 78 mm.
Power source.	220V~50Hz
Power consumption.	Stand by : 1.6 W / Flushing : 2.5 W
Sensing distance.	Within 170 mm. (Depending on environment)
Maximum running time	40±5 Sec.
Water temperature.	0~40°C
Relative humidity.	90 % RH
Water pressure.	Min 0.7 Kg/cm ² , Max 7.0 Kg/cm ²

Siam Sanitary Ware Co.,Ltd. / Siam Sanitary Fittings Co.,Ltd.

36/11 Viphavadee Rangsit Rd, Sanam Bin, Donmuang, Bangkok 10210. Thailand

Tel : + 66 (0) 2973-5040-54

Fax : + 66 (0) 2973-3470

www.cotto.co.th

Export Department

Tel : + 66 (0) 2973-5040-54

Fax : + 66 (0) 2973-3472

The company reserves the right to change any of the details in the document without prior notice

COTTO
STUDIO

Center (Donmuang ,Bangkok) : +66 (0) 2521-7777

East (Chonburi) : +66 (038) 416-222

North (Chiangmai) : +66 (053) 211-852

North East (Khonkean) : +66 (043) 220-555

South (Phuket) : +66 (076) 261-388