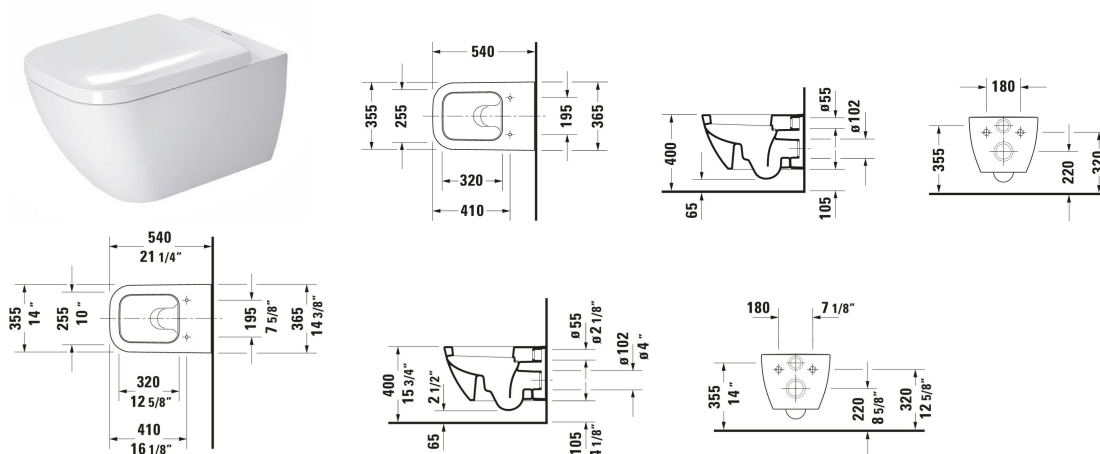


## Happy D.2 Wall-mounted toilet # 222109..00 / 222109..00

| < 365 mm > |



Wall-mounted toilet	Dimension	Weight	Order number
Flush water quantity: 4,5/3 l, Washdown model, Flushing rim: Closed, Flush principle: washdown model, Outlet drain horizontal, Incl. invisible fixation, Unified Water Label (UWL) Class: 1			
<b>Colors</b>			
00 White Alpin 20 HygieneGlaze (an antibacterial ceramic glaze that provides almost indefinite effectiveness)			
<b>Variant</b>			
♣ White High Gloss, Flush water quantity: 4,5 l		25.800 kg	222109..00
♣ White High Gloss, HygieneGlaze		25.800 kg	222109..00
Sanitary ceramics with the special WonderGliss surface finish will remain clean and attractive-looking for a long time to come. When ordering WonderGliss please add a "1" as eleventh digit to the model number.			
<b>Accessory for ceramics for White High Gloss, Flush water quantity: 4,5 l</b>			
Mounting Suitable for Wall-mounted bidet, Wall-mounted toilet Ø 12 mm		0.28 kg	006500
<b>Accessory</b>			
Noise reduction set	420 x 390 mm	0.2 kg	005090
<b>Suitable products</b>			
Toilet seat Shape: Rectangular, Automatic close: Yes, Removable Seat, Hinge material: Stainless steel, 359 x 430 mm	359 x 430 mm		006459

<p>Installation element dry installation for WC Standard 6 l, Powder-coated, Type of installation: In standard lightweight construction, In front of solid wall, Type of mounting: Drywall, Max. projection toilet: 625 mm, Height with feet: 240 mm, Flush operation: Mechanical, Flush operation position: Front, Adjustable flush volumes, Flush type: Dual Flush, insulated against condensation, Throttle for regulating the flush flow, Self-supporting, Suitable for panelling with plasterboards, 500 x 155 mm</p>	500 x 155 mm	WD1011
<p>Installation element dry installation for WC Odour extraction, Fan activation: Manual, 6 l, Powder-coated, Type of installation: In standard lightweight construction, In front of solid wall, Type of mounting: Drywall, Max. projection toilet: 625 mm, Height with feet: 240 mm, Flush operation: Mechanical, Flush operation position: Front, Adjustable flush volumes, Flush type: Dual Flush, insulated against condensation, Throttle for regulating the flush flow, Self-supporting, Suitable for panelling with plasterboards, 500 x 155 mm</p>	500 x 155 mm	WD1012
<p>Installation element dry installation for WC Hygienic flush, 6 l, Powder-coated, Type of installation: In standard lightweight construction, In front of solid wall, Type of mounting: Drywall, Max. projection toilet: 625 mm, Height with feet: 240 mm, Flush operation: Electronic, Flush operation position: Front, Adjustable flush volumes, Flush type: Dual Flush, insulated against condensation, Throttle for regulating the flush flow, Self-supporting, Suitable for panelling with plasterboards, 500 x 155 mm</p>	500 x 155 mm	WD1013
<p>Installation element dry installation for WC Odour extraction, Fan activation: Automatic, Manual, At the touch of a button, Touchless, Hygienic flush, 6 l, Powder-coated, Type of installation: In standard lightweight construction, In front of solid wall, Type of mounting: Drywall, Max. projection toilet: 625 mm, Height with feet: 240 mm, Flush operation: Electronic, Flush operation position: Front, Adjustable flush volumes, Flush type: Dual Flush, insulated against condensation, Throttle for regulating the flush flow, Self-supporting, Suitable for panelling with plasterboards, 500 x 155 mm</p>	500 x 155 mm	WD1014
<p>Installation element wet installation for WC Type of installation: For walling in and out, Type of mounting: Wet installation, Max. projection toilet: 700 mm, Flush operation: Mechanical, Flush operation position: Front, Adjustable flush volumes, Flush type: Dual Flush, insulated against condensation, Throttle for regulating the flush flow, 445 x 153 mm</p>	445 x 153 mm	WD1015
<p>Installation element dry installation for WC Standard 6 l, Powder-coated, Type of installation: In standard lightweight construction, In front of solid wall, Type of mounting: Drywall, Max. projection toilet: 625 mm, Height with feet: 240 mm, Flush operation: Mechanical, Flush operation position: FrontTop, Adjustable flush volumes, Flush type: Dual Flush, insulated against condensation, Throttle for regulating the flush flow, Self-supporting, Suitable for panelling with plasterboards, 500 x 155 mm</p>	500 x 155 mm	WD1016

<p>Installation element dry installation for WC Basic 6 l, Powder-coated, Type of installation: In standard lightweight construction, In front of solid wall, Type of mounting: Drywall, Max. projection toilet: 625 mm, Height with feet: 240 mm, Flush operation: Mechanical, Flush operation position: FrontTop, Adjustable flush volumes, Flush type: Dual Flush, insulated against condensation, Throttle for regulating the flush flow, Self-supporting, Suitable for panelling with plasterboards, 500 x 155 mm</p>	500 x 155 mm	WD1017
<p>Installation element dry installation for WC Standard 6 l, Powder-coated, Type of installation: In standard lightweight construction, In front of solid wall, Type of mounting: Drywall, Max. projection toilet: 625 mm, Height with feet: 240 mm, Flush operation: Mechanical, Flush operation position: FrontTop, Adjustable flush volumes, Flush type: Dual Flush, insulated against condensation, Throttle for regulating the flush flow, Self-supporting, Suitable for panelling with plasterboards, 500 x 155 mm</p>	500 x 155 mm	WD1018
<p>Installation element dry installation for WC Basic 6 l, Powder-coated, Type of installation: In standard lightweight construction, In front of solid wall, Type of mounting: Drywall, Max. projection toilet: 625 mm, Height with feet: 240 mm, Flush operation: Mechanical, Flush operation position: FrontTop, Adjustable flush volumes, Flush type: Dual Flush, insulated against condensation, Throttle for regulating the flush flow, Self-supporting, Suitable for panelling with plasterboards, 500 x 155 mm</p>	500 x 155 mm	WD1019
<p>Installation element dry installation for WC Basic 6 l, Powder-coated, Type of installation: In standard lightweight construction, In front of solid wall, Type of mounting: Drywall, Max. projection toilet: 625 mm, Height with feet: 240 mm, Flush operation: Mechanical, Flush operation position: Front, Adjustable flush volumes, Flush type: Dual Flush, insulated against condensation, Throttle for regulating the flush flow, Self-supporting, Suitable for panelling with plasterboards, 500 x 155 mm</p>	500 x 155 mm	WD1020

*All drawings contain the necessary measurements which are subject to standard tolerances. They are stated in mm and are non-binding. Exact measurements, in particular for customised installation scenarios, can only be taken from the finished piece.*