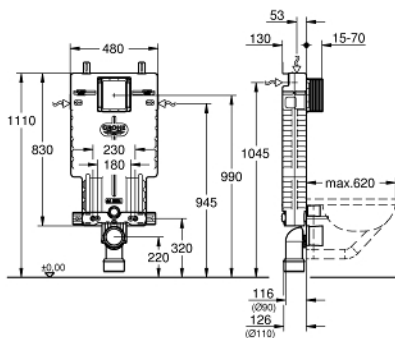


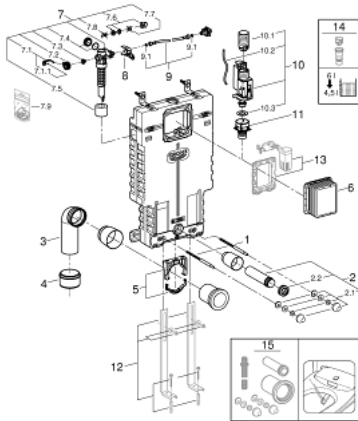
38 643 001 UNISSET ELEMENT FOR WC WITH EPS HOUSING



MÔ TẢ SẢN PHẨM

- with flushing cistern GD 2, 6 - 9 l
- sound-insulating EPS module for masonry-in
- 830 x 480 x 130 mm
- rail adaptors for modular fixing
- for single or rail installation
- wall rail with fixing accessories for single installation
- 2 WC fixing bolts
- distance of fixing bolts 180/230 mm
- fixing device for ceramic
- outlet bend Ø 90 mm
- depth adjustable
- reducer Ø 90/110 mm
- inlet and outlet connecting set
- * Cần quyết định khi lắp đặt lần đầu; thiết lập mặc định tại nhà máy:
GROHE PureRain
- flushing cistern GD 2, 6 - 9 l, containing following features:
 - adjustment ex factory 6l and 3l
 - pneumatic discharge valve offering 3 modes of operation: dual flush or start/stop or single flush
 - water supply from left/right/back or top
 - low noise (group I acc. to German Noise Specification)
 - insulated against condensation
 - ½" water supply connection including integrated angle valve and push fit flexible hose union
- for vertical or horizontal use
- no tools required for the installation of the inspection shaft incl. protection during construction phase
- * Cần quyết định khi lắp đặt lần đầu; thiết lập mặc định tại nhà máy:
GROHE PureRain
- preparation for shower toilets with additional accessory 40 899 000 (sold separately)
- for mounting of small flush plates please order revision shaft 40 911 000 (sold separately)

38 643 001 UNISET ELEMENT FOR WC WITH EPS HOUSING



PHỤ KIỆN LẮP ĐẶT, tháng mười 2017 – now

- 1: Threaded bolt (Order-nr. 4276400M)
- 2: WC inlet and outlet connecting set (Order-nr. 37311K00)
- 2.1: Basin fastening (Order-nr. 43511SH0)
- 2.2: Connector (Order-nr. 37119000)
- 3: PP-outlet bend Ø 90 mm (Order-nr. 42327000)
- 4: 4" Outlet Adaptor F Rapid SI (Order-nr. 42242000)
- 5: Support for outlet bend (Order-nr. 42243000)
- 6: Inspection shaft (Order-nr. 66783000)
- 7: Filling valve (Order-nr. 37095000)
- 7.1: Lever (Order-nr. 43734000)
- 7.1.1: Ball seal dia. 9x6.8 mm (Order-nr. 4377000M)
- 7.2: Valve head (Order-nr. 43536000)
- 7.3: Membrane (Order-nr. 4375800M)
- 7.4: Screw cap (Order-nr. 43735000)
- 7.5: Valve float, 5 pcs. (Order-nr. 4379100M)
- 7.6: Repl. kit f. seal (Order-nr. 43722000)*
- 8: Support device (Order-nr. 42246000)
- 9: Tube (Order-nr. 42233000)
- 9.1: Seat washer (Order-nr. 0319100M)
- 10: Dual Flush discharge valve AV1 (Order-nr. 42320000)
- 10.1: Extension for overflow pipe (Order-nr. 42313000)
- 10.2: pneumatic hose (Order-nr. 42319000)
- 10.3: Ball seal dia. 9x6.8 mm (Order-nr. 42310000)
- 11: Valve seat for GD2 (Order-nr. 42315000)
- 12: Support feet (Order-nr. 37304000)*
- 13: Retro-fit set (Order-nr. 38796000)*
- 14: 4,5 l Adapter for GD2 (Order-nr. 42333000)*
- 15: Retrofit kit for shower toilets Sensia Arena and IGS (Order-nr. 40899000)*

* Phụ kiện đặc biệt