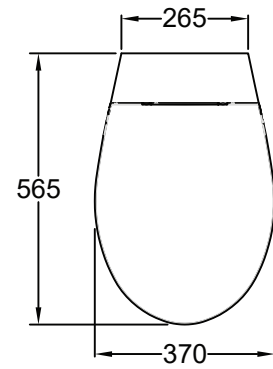
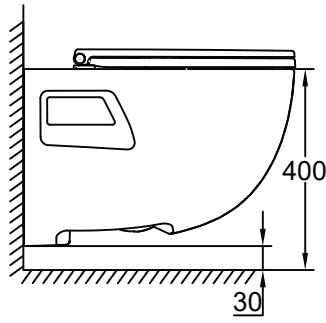
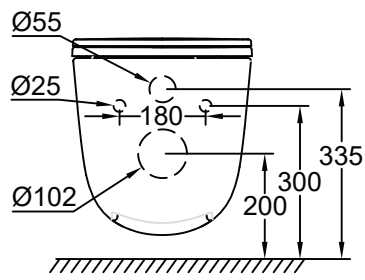


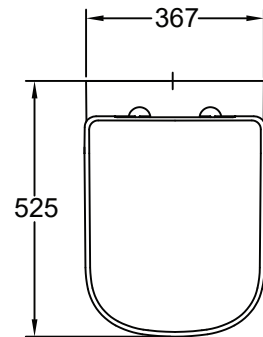
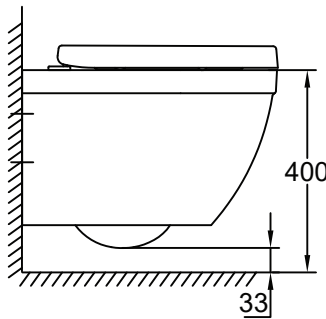
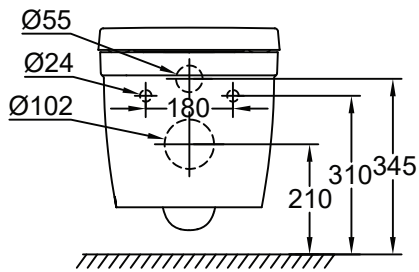
39126

Dimension: mm  
单位: 毫米



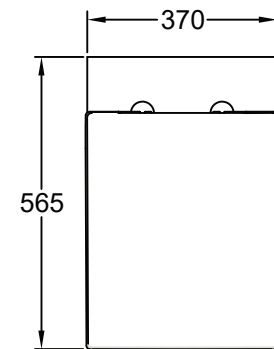
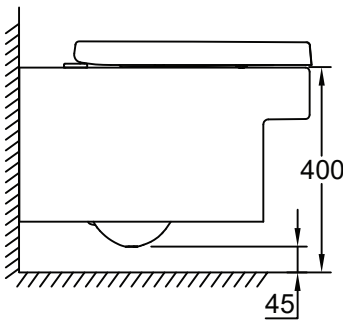
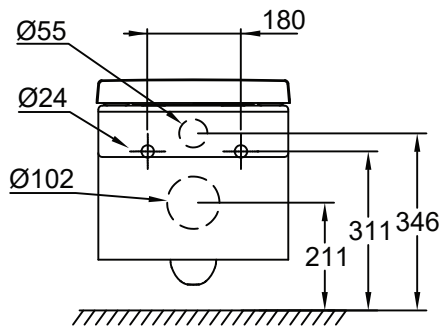
39205

Dimension: mm  
单位: 毫米



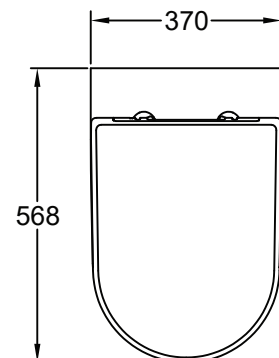
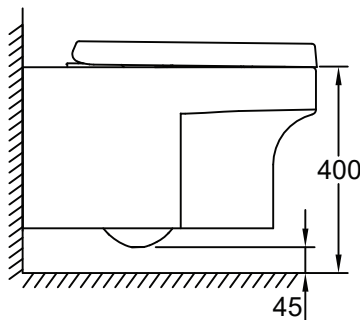
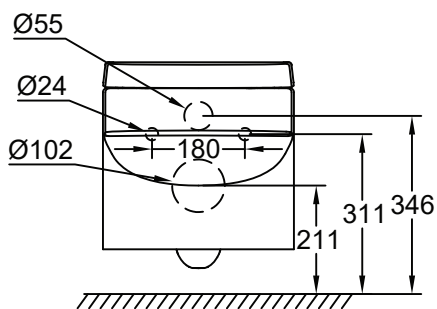
39244

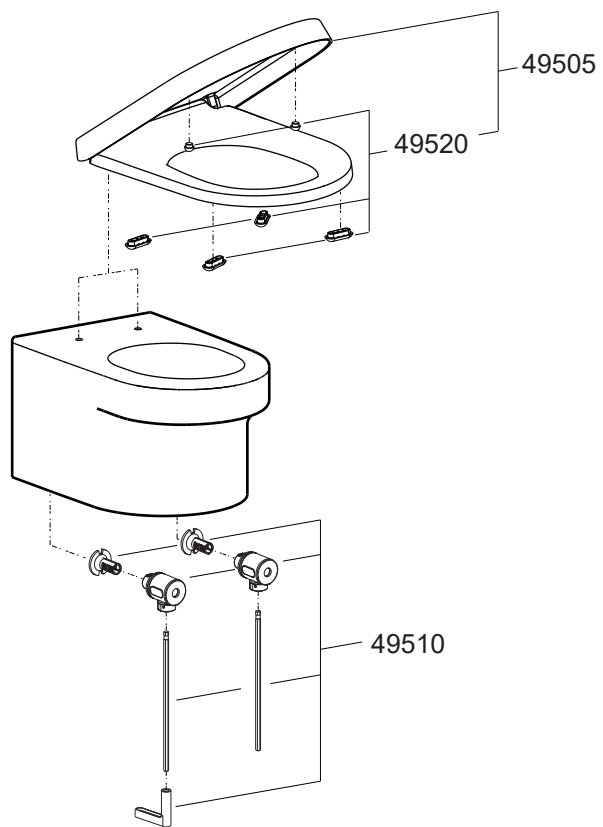
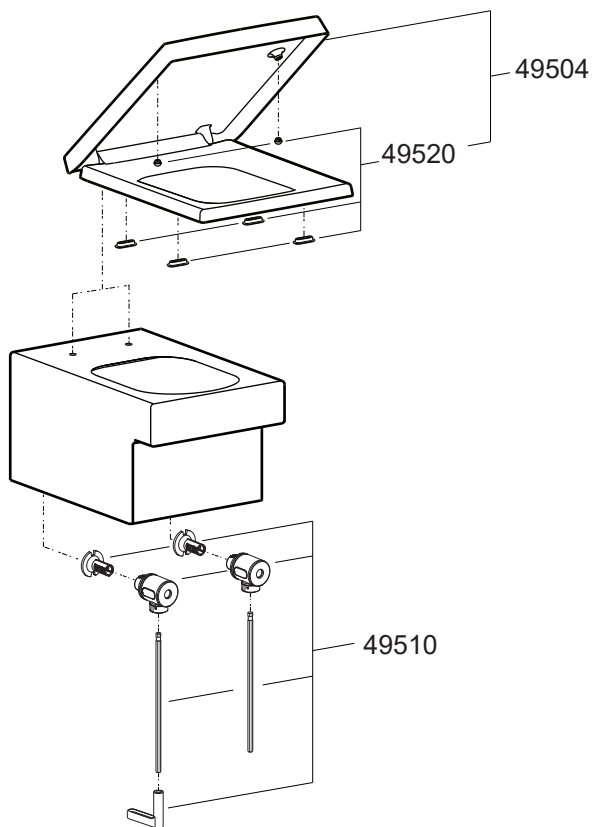
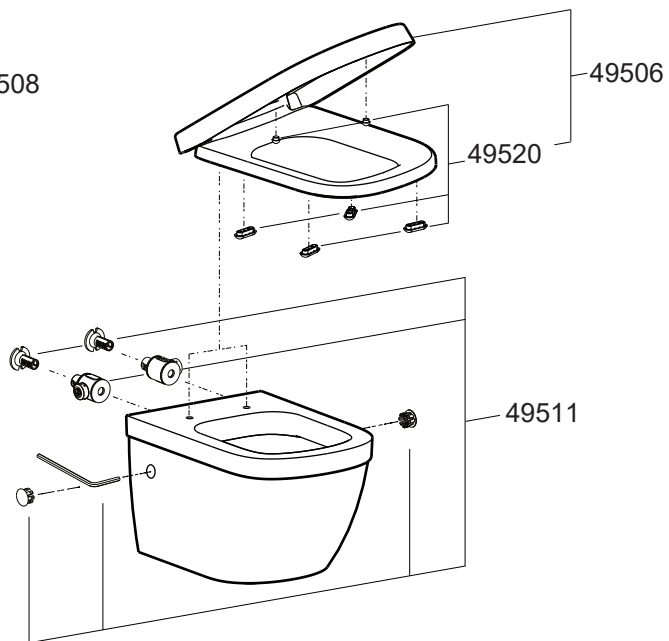
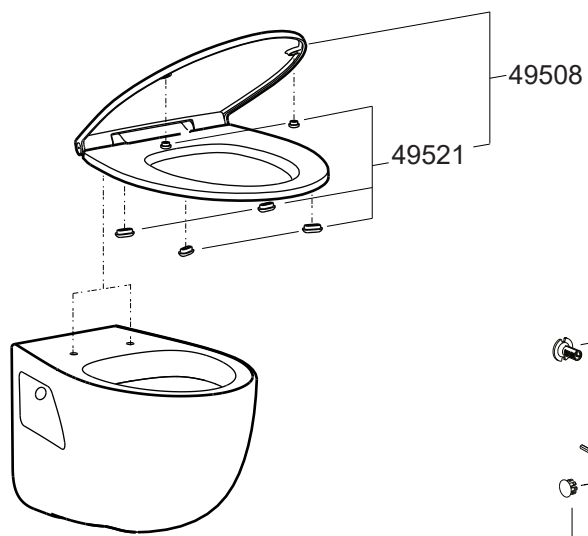
Dimension: mm  
单位: 毫米



39296

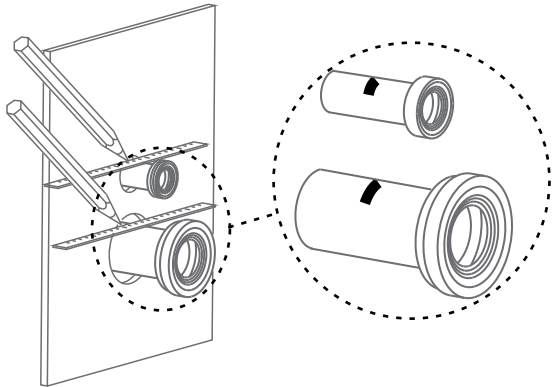
Dimension: mm  
单位: 毫米



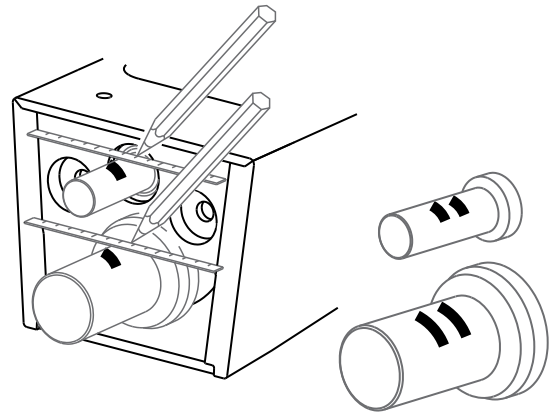


39126 39244

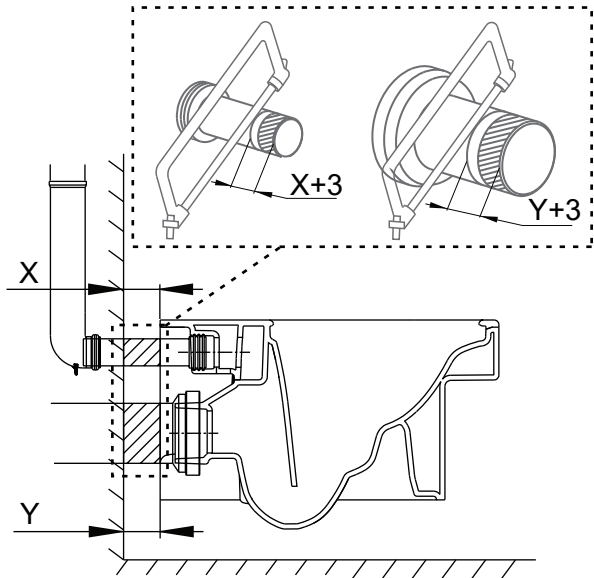
39205 39296



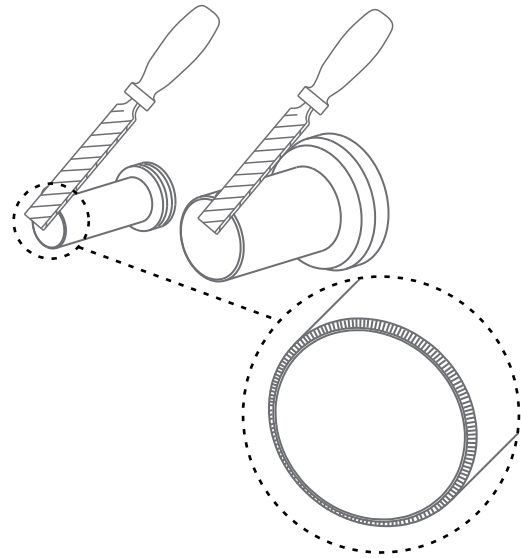
1



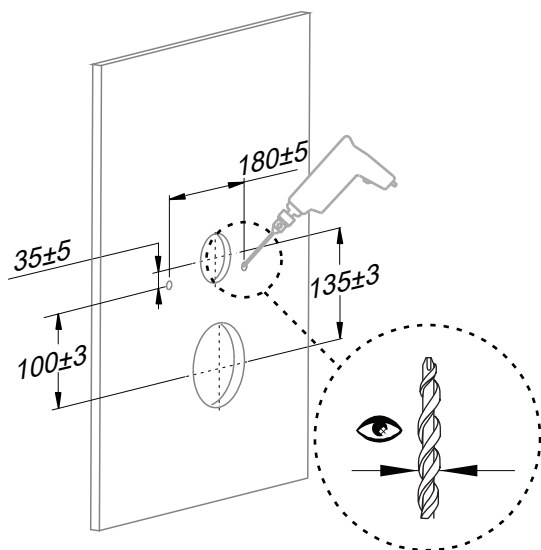
2



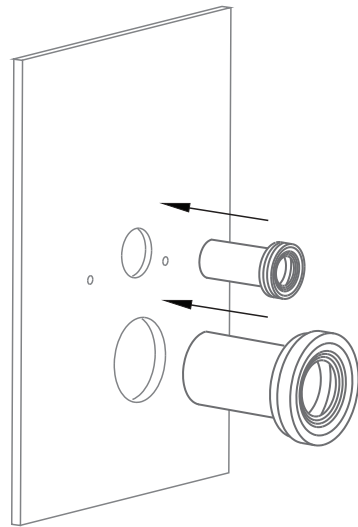
3



4

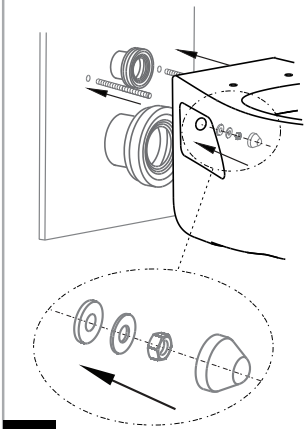


5

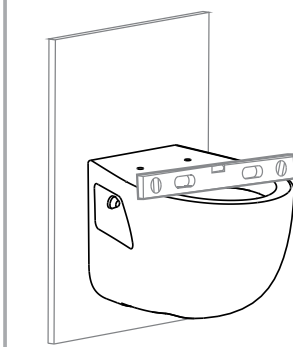


6

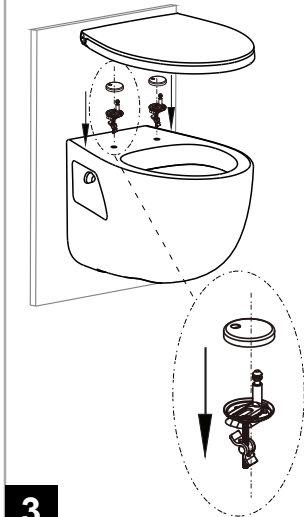
39126



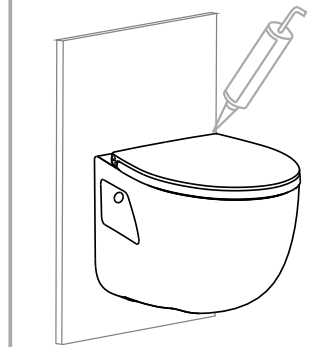
1



2

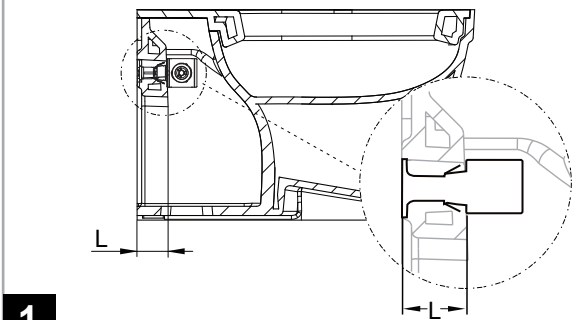


3

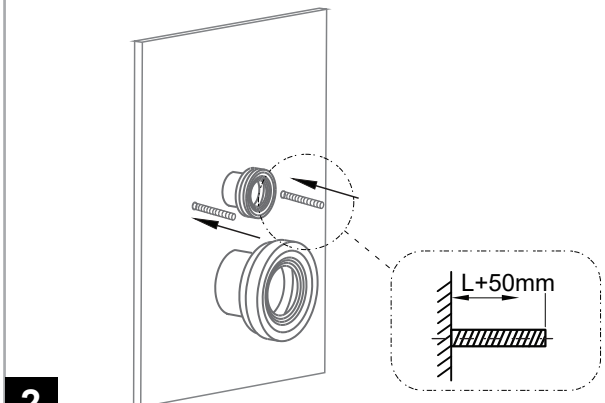


4

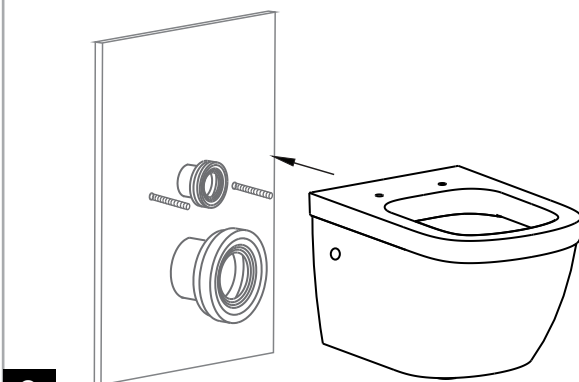
39205



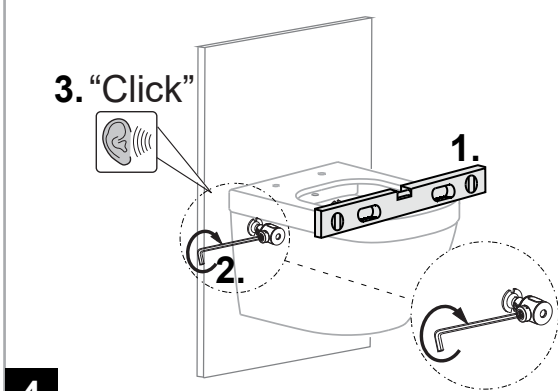
1



2



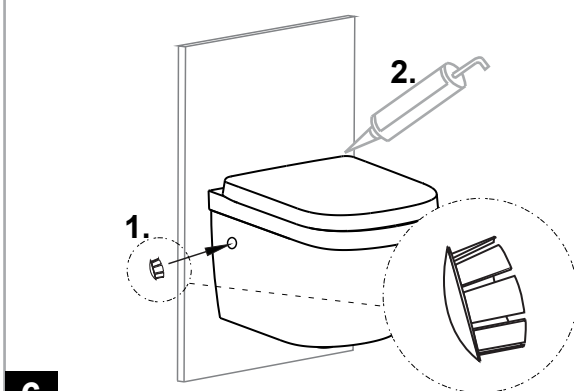
3



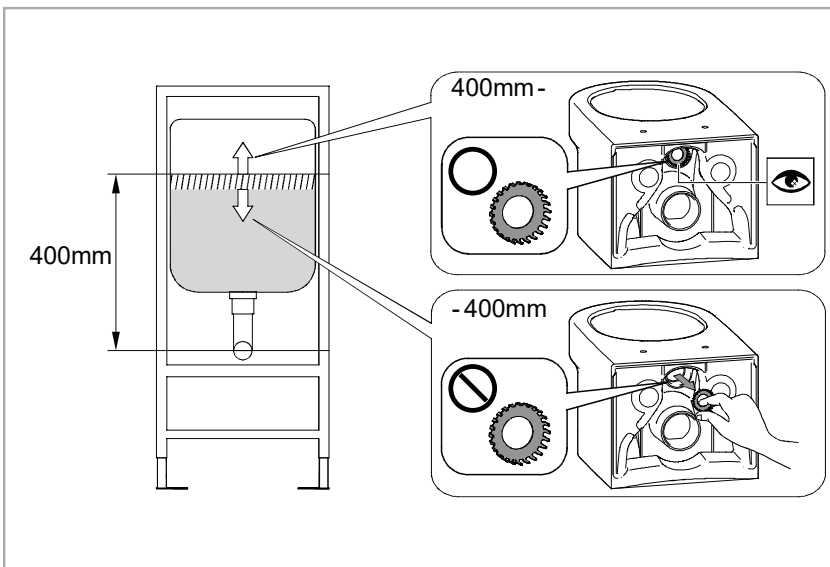
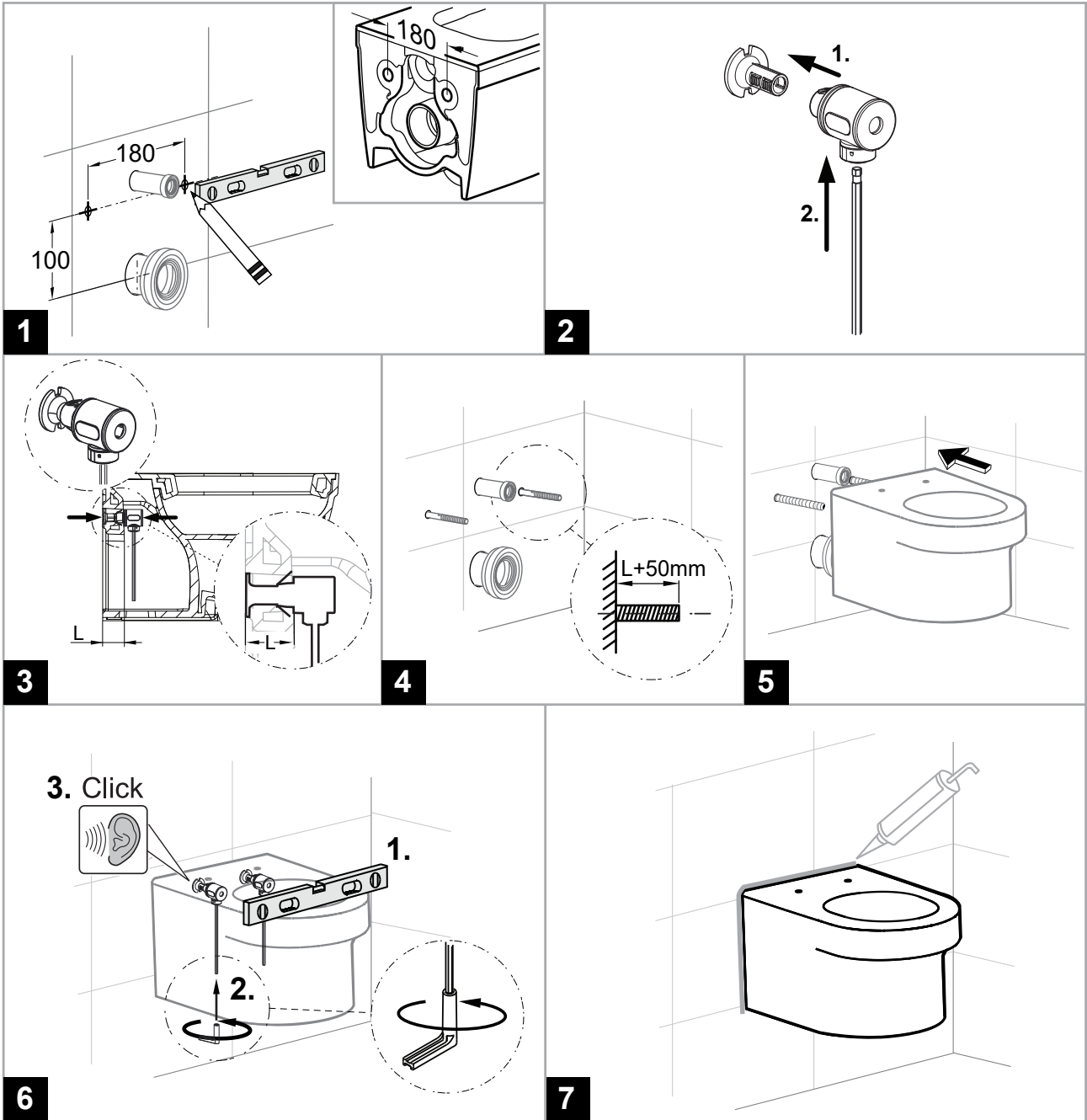
4



5



6



39244/39296:

**Note:** take off the orifice when water level is below 400mm measured from the center of end opening of flush pipe.

注意：当水箱水位低于400毫米的时候请取下孔口配件。

## 注意事项

1. 请不要使用水泥安装便器，这样会容易使座便器开裂。
2. 请在座便器安装好等玻璃胶干燥后使用。
3. 本产品不得在0℃以下的环境中使用。
4. 请不要向便器内冲入新闻纸、纸尿垫、妇用卫生巾等容易堵塞的物品。
5. 请不要用力撞击陶瓷，以防止破损漏水。
6. 所有不按安装说明书进行操作导致产品损坏的一切后果本公司恕不负责。
7. 型号清单：

坐厕：39126001  
用水量：3/4.5升  
额定用水效率等级：1级  
配套 隐蔽式水箱型号：38528001 和  
节水配件型号：42333000  
标准号：GB25502-2017

坐厕：392050001  
用水量：3/6升  
额定用水效率等级：2级  
配套 隐蔽式水箱型号：38528001  
标准号：GB25502-2017

坐厕：39244000  
用水量：3/5升  
额定用水效率等级：1级  
配套 隐蔽式水箱型号：38528001 和  
节水配件型号：42333000  
标准号：GB25502-2017

坐厕：39296000  
用水量：3/5升  
额定用水效率等级：1级  
配套 隐蔽式水箱型号：38528001 和  
节水配件型号：42333000  
标准号：GB25502-2017

## Importance Notice

1. Do not use material such as cement to secure the toilet in place - use only the installation parts provided - Otherwise cracks in the ceramic could arise.
2. After installation, please don't use the toilet until the silicone sealant has solidified.
3. This product may not be used below 0℃.
4. So not throw into the toilet items such as newspaper, baby diapers, feminine hygiene items and items and any other waste which might easily cause blockages.
5. Avoid hard object impacts on the ceramic to avoid damage and leakage.
6. Our company disclaimer any liability for special, incidental or consequential damage result from breaking the operation guidelines.

### 7. CODE LIST

BOWL: 39126001  
Water consumption: 3/4.5L  
Water efficiency grade: 1 Grade  
With CISTERN: 38528001 &  
Water-saving components: 42333000  
Standard: GB25502-2017

BOWL: 39205000  
Water consumption: 3/6L  
Water efficiency grade: 2 Grade  
With CISTERN: 38528001  
Standard: GB25502-2017

BOWL: 39244000  
Water consumption: 3/5L  
Water efficiency grade: 1 Grade  
With CISTERN: 38528001 &  
Water-saving components: 42333000  
Standard: GB25502-2017

BOWL: 39296000  
Water consumption: 3/5L  
Water efficiency grade: 1 Grade  
With CISTERN: 38528001 &  
Water-saving components: 42333000  
Standard: GB25502-2017

**D**  
☎ +49 571 39 89 333  
service.de@grohe.com

**A**  
☎ +43 1 6 80 60  
info-at@grohe.com

**AUS**  
☎ 1800 080 055  
customer.care@reece.com.au

**B**  
☎ +32 (0)2 899 3077  
<https://www.grohe.be/nl/be/onze-service/contact.html>

**BG**  
☎ +359 2 971 99 59  
info-bg@grohe.com

**BR**  
☎ 0800 770 1222  
falecom@lixilamericas.com

**CAU**  
☎ +99 412 497 09 74  
info-az@grohe.com

**CDN**  
☎ +1 888 6447643  
info@grohe.ca

**CH**  
☎ +41 44 877 73 00  
info@grohe.ch

**CN**  
☎ +86 4008811698  
info.cn@grohe.com

**CZ**  
☎ +42 07 21 71 66 73  
info-cz@grohe.com

**DK**  
☎ +45 44 65 68 00  
grohe@grohe.dk

**E**  
☎ +34 93 / 3 36 88 50  
grohe@grohe.es

**EST LT LV**  
☎ +372 661 6354  
grohe@grohe.ee

**F**  
☎ +33 1 49 97 29 00  
sav-fr@grohe.com

**FIN**  
☎ +358 (09)42451390  
grohe@grohe.fi

**GB**  
☎ +44 208 283 2840  
info-uk@grohe.com

**H**  
☎ +36 (06)1 238-8045  
info-hu@grohe.com

**HK**  
☎ +852 2969 7067  
info@grohe.hk

**I**  
☎ +39 2 959401  
info-it@grohe.com

**IND**  
☎ 18001024475  
customercare.in@grohe.com

**IS**  
☎ +354 515 400  
jonst@byko.is

**J**  
☎ +81-3-6748-1180  
info\_grohe@blisspajapan.jp

**KZ**  
☎ +7 775 007 05 27  
service-kz@grohe.com

**MAL**  
☎ 1800 80 6570  
customerservice.my@lixil.com

**MX**  
☎ 01 800 839 1200  
info@lixilamericas.com

**N**  
☎ +47 22 07 20 70  
grohe@grohe.no

**NL**  
☎ +31(0) 88-0030700  
<https://www.grohe.nl/nl/onze-service/contact.html>

**NZ**  
☎ +64 09 573 0490  
sales@robertson.co.nz

**P**  
☎ +351 234529620  
comercial-pt@grohe.com

**PL**  
☎ +48 (22) 5432640  
biuro@grohe.com

**RI**  
☎ 0800-1-047-643  
customercare-indonesia@lixil.com

**RO**  
☎ +40 021 212 50 50  
info-ro@grohe.com

**ROK**  
☎ +82 2 1588 5903  
info-singapore@grohe.com

**RP**  
☎ +63 2 89288000  
service\_center@wilcon.com.ph

**RUS**  
☎ 8 800 200 00 49  
service-ru@grohe.com

**S**  
☎ +46 771 14 13 14  
grohe@grohe.se

**SGP RC**  
☎ +65 6311 3611  
grohe@connectcentre.sg

**SK**  
☎ +420 (2) 77004192  
info-sk@grohe.com

**T**  
☎ +6629014455  
grohe-thailand@lixil.com

**TR**  
☎ +90 216 441 23 70  
groheturkey@grome.com

**UA**  
☎ +380 (44) 5375273  
info-ua@grohe.com

**USA**  
☎ +1 800 4447643  
Grohetechcare@lixil.com

**VN**  
☎ (+84) 1800 6624  
cshk@lixil.com

**AL BIH HR KS ME MK SLO SRB**  
☎ +385 1 2911470  
adria-hr@grohe.com

**CY M IL GR**  
☎ 800 11111  
info@grome.com

**UAE Q KWT BRN OM PK**  
☎ +971 4 4214557  
grohedubai@grome.com

**KSA RL JOR IRQ**  
☎ +966 11 4551667  
groheksa@grome.com

**ET MA DZ TN**

**NGR**  
☎ +202 226147988/98  
grohecairo@grome.com

**Far East Area Sales Office:**  
☎ +65 6311 3600  
info@grohe.com.sg

**Latin America:**  
☎ +52 818 3050626  
info@lixilamericas.com