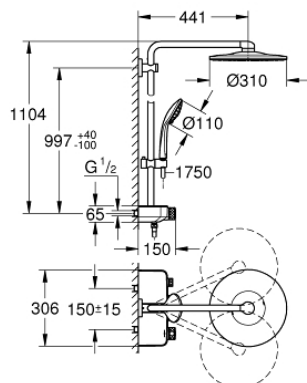


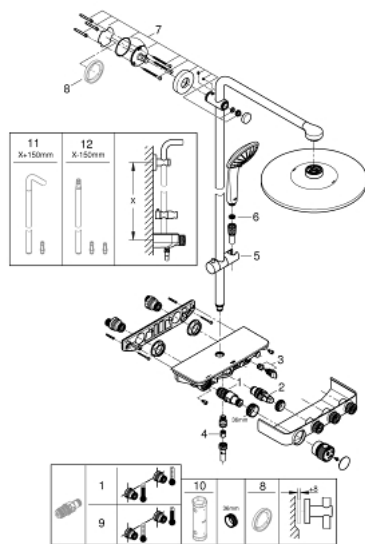
26 507 000 EUPHORIA SMARTCONTROL SYSTEM 310 DUO SHOWER SYSTEM WITH THERMOSTAT FOR WALL MOUNTING



PRODUCT DESCRIPTION

- Colour: chrome
- consisting of:
 - horizontal 450 mm shower arm
 - upper bracket adjustable for minimal adaption to existing drilling holes
 - exposed SmartControl thermostat
 - allows change between:
 - head shower Rainshower SmartActive 310
 - 2 spray patterns:
 - GROHE PureRain, ActiveRain
 - hand shower Euphoria 110 Massage, spray plate white (27 221 001)
 - 3 spray patterns:
 - Rain, SmartRain, Massage
 - adjustable in height with gliding element
 - Silverflex shower hose 1750 mm (28 388)
 - GROHE DreamSpray perfect spray pattern
 - GROHE Long-Life finish
 - GROHE CoolTouch no risk of scalding
 - GROHE TurboStat compact cartridge with wax thermoelement
 - GROHE ProGrip with knurl structure
 - GROHE Water Saving - Less water, perfect flow
 - GROHE SafeStop at 38°C
 - GROHE SafeStop Plus optional temperature limiter at 43°C included
 - GROHE SmartControl push for ON-OFF, turn for volume adjustment from GROHE Water Saving to Full Flow
 - integrated GROHE EasyReach shower tray
 - SpeedClean anti-limescale system
 - Inner WaterGuide for a longer life
 - TwistStop to prevent hose from twisting
 - suitable for instantaneous heaters from 18 kW/h
 - minimum flow rate 7 l/min

26 507 000 EUPHORIA SMARTCONTROL SYSTEM 310 DUO SHOWER SYSTEM WITH THERMOSTAT FOR WALL MOUNTING



SPARE PARTS, February 2019 – now

- 1: Thermostatic compact cartridge 1/2" (Order-nr. 47439000)
- 2: Cartridge (Order-nr. 48297000)
- 3: Non-return valve (Order-nr. 49069000)
- 4: Non-return valve (Order-nr. 08565000)
- 5: Glide element (Order-nr. 48177000)
- 6: Dirt strainer (Order-nr. 0700200M)
- 7: Shower rail holder (Order-nr. 48279000)
- 8: Compensation disc (Order-nr. 27180000)*
- 9: GROHE TurboStat cartridge 1/2" (Order-nr. 47175000)*
- 10: Socket spanner (Order-nr. 49059000)*
- 11: Shower system pipe for retrofitting (Order-nr. 48497000)*
- 12: Shower system pipe for retrofitting (Order-nr. 48498000)*

*Special accessories